

AB-BSM1

AUTO-BURN™ BACKSPLASH MOUNT CONVERSION HEAD



WORK FAST. WORK CLEAN.

AB-BSM1 FEATURES

- Stainless steel construction
- Mounts to backsplashes of ice bins and dump sinks with standard fasteners, double-sided tape, or hook and loop tape
- Automatically melts ice by creating a whirlpool in ice bin or dump sink
- Makes daily ice bin maintenance and emergency cleanups easy and convenient
- Saves water — no more faucets left running while using pitchers or buckets to manually melt ice
- Does not require electricity
- Does not use chemicals



AB-BSM1

AB-BSM1 TECHNICAL SPECIFICATIONS

- Water Usage: 5 GPM @ 40 psi
- Materials: 16 ga. stainless steel. All plumbing components meet federal lead-free requirements and/or NSF standards
- Control valve allows for fine adjustment of water stream
- Nozzle: solid-stream polypropylene

AB-IKBSM Installation Kit

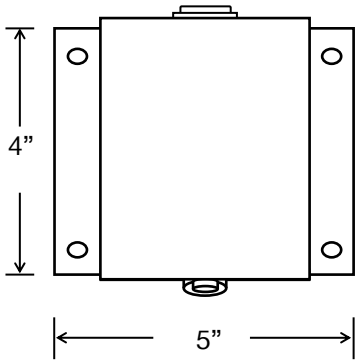
- Includes plumbing components to make installation easy and convenient
- All plumbing components meet federal lead-free requirements and/or NSF standards

AB-IKBSM Contents

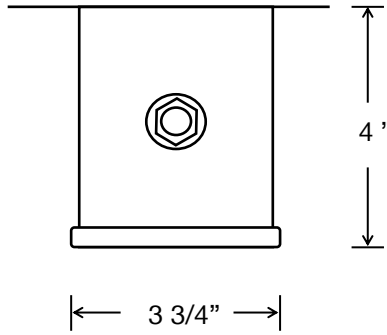
- | | |
|--------------------------|-----------------------|
| A. 3/8" Stop Tee | E. Control Valve |
| B. 3/8" Compression Tee | F. 3/8" Plug In Elbow |
| C. 3/8" Push-Fit Adapter | G. 3/8" LLDPE Tubing |
| D. Shutoff Valve | |



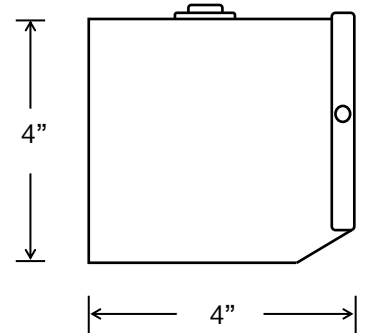
AB-BSM1 AUTO-BURN™ BACKSPLASH MOUNT CONVERSION HEAD



FRONT ELEVATION



PLAN VIEW

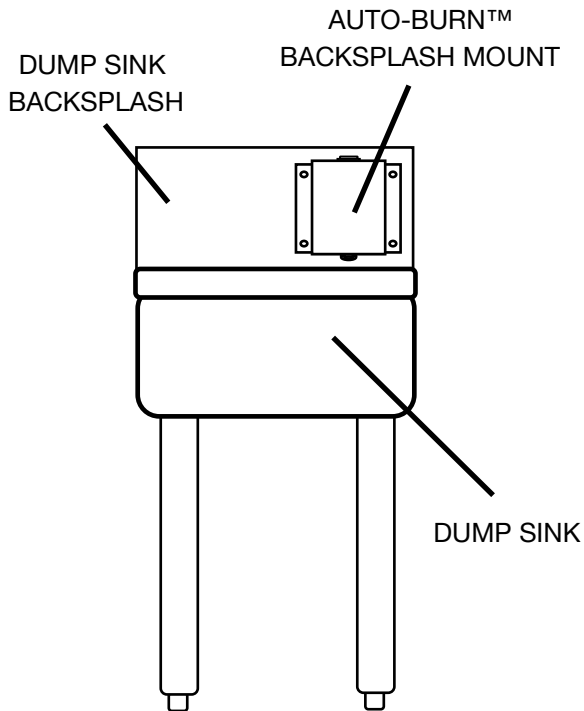


SIDE ELEVATION

MOUNTING EXAMPLES

DUMP SINK

(Shown without faucet or handles)



ICE BIN

