

AT SERIES FOOD SHIELDS

Self-Service Food Protector

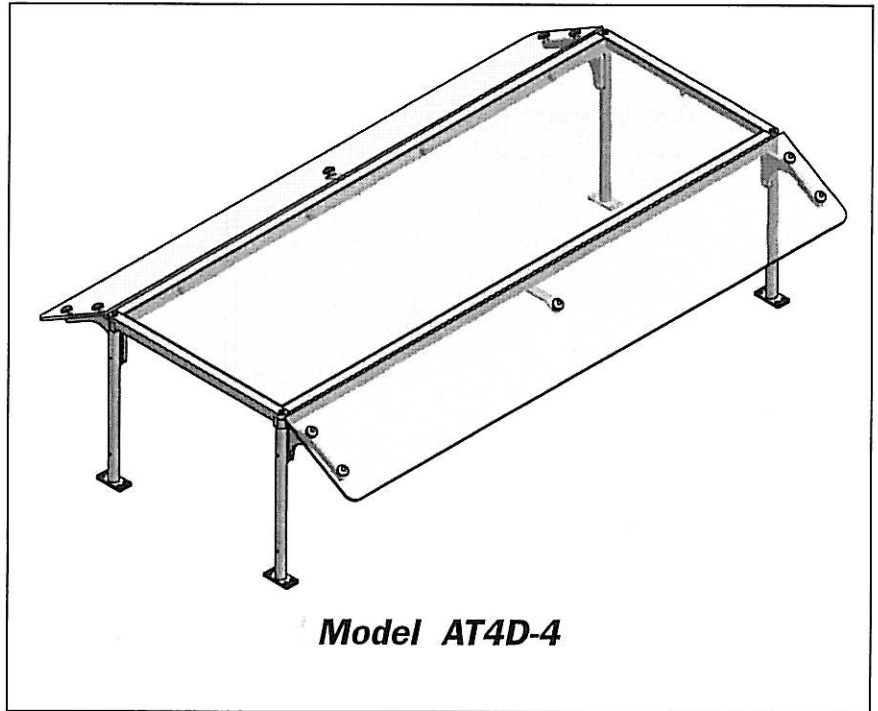
Model AT4D

Quantity: _____ Item No: _____

- Finish:
- Brushed & Anodized Aluminum
 - Black Matte Powder Coat
 - Silver Powder Coat
 - Brushed Stainless Steel
 - _____

End Panels: (from customer side)

- Left Right



VERSA-GARD®
Copyright © Versa-Gard, 2010



DESCRIPTION

Self-service food protector for double-sided counters.

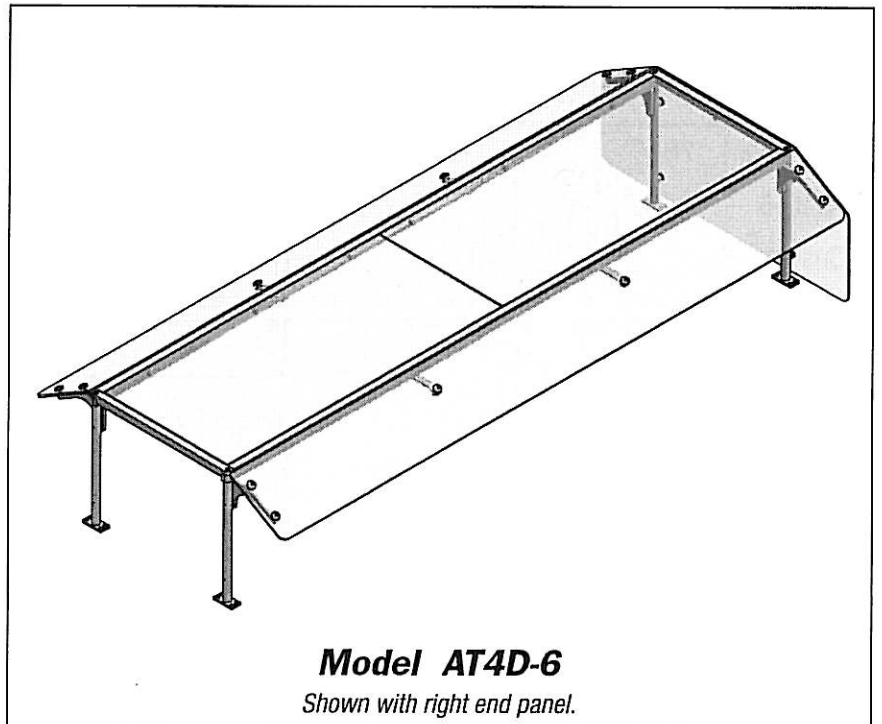
1"Ø CNC machined solid supports

Clear tempered glass panels that meet or exceed ANSI Z97.1 standards.

A wide range of finish options are available to match any décor.

Exceptional construction – all components CNC machined in the USA for years of service. Modular design and machined componentry allows for changes or additions at a later date.

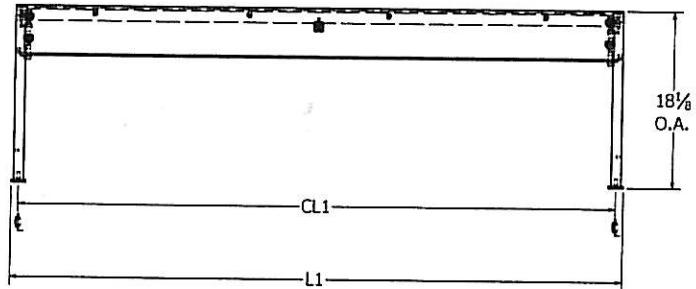
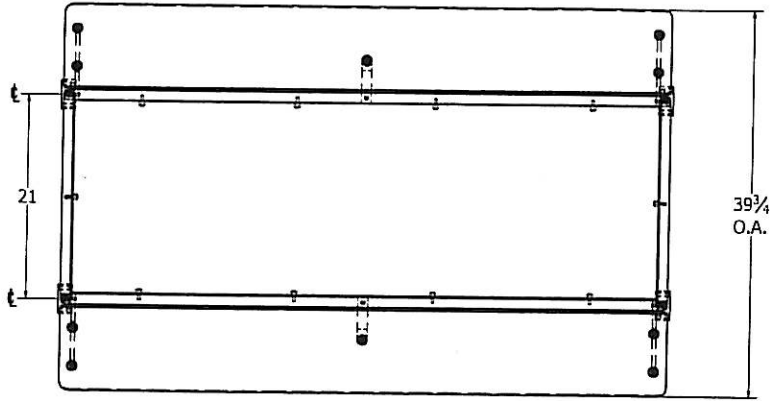
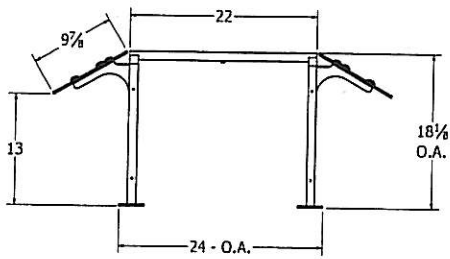
Produced, finished and assembled in the USA.



Self-Service Food Protector

Model | OA length (L1)

- AT4D-2 | 35 1/4"
- AT4D-3 | 49"
- AT4D-4 | 62 3/4"
- Custom | _____

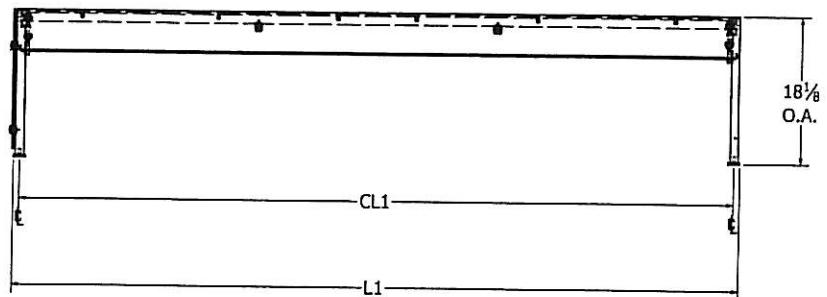
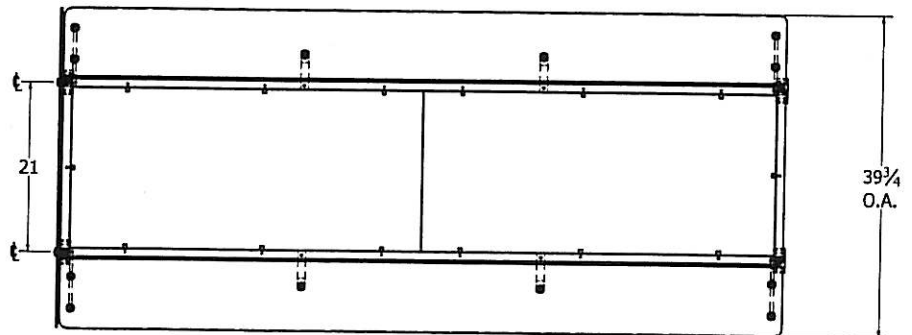
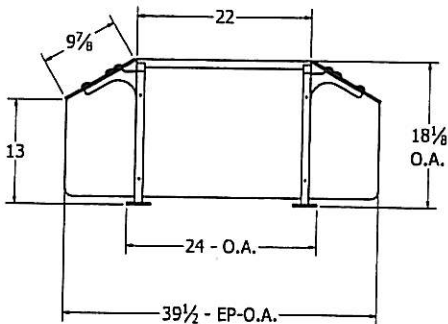


VERSA-GARD®
Copyright © Versa-Gard, 2010



Model | OA length (L1)

- AT4D-5 | 76 1/2"
- AT4D-6 | 90 1/4"
- Custom | _____



Shown with right end panel.



a subsidiary of Mercury Aircraft
1135 NW 159 Dr., Miami, Florida 33169
Tel: (305) 625-2451 or (800) 762-7565 • Fax: (305) 623-0475

AT SERIES FOOD SHIELDS

Self-Service Food Protector with single light Model AT4D-L

Quantity: _____ Item No: _____

- Finish: Brushed & Anodized Aluminum
 Black Matte Powder Coat
 Silver Powder Coat
 Brushed Stainless Steel

End Panels: (from customer side)

- Left Right

Light Options:

- T8 fluorescent light fixture
 LED light fixture

DESCRIPTION

Self-service food protector with single light fixture for double-sided counters.

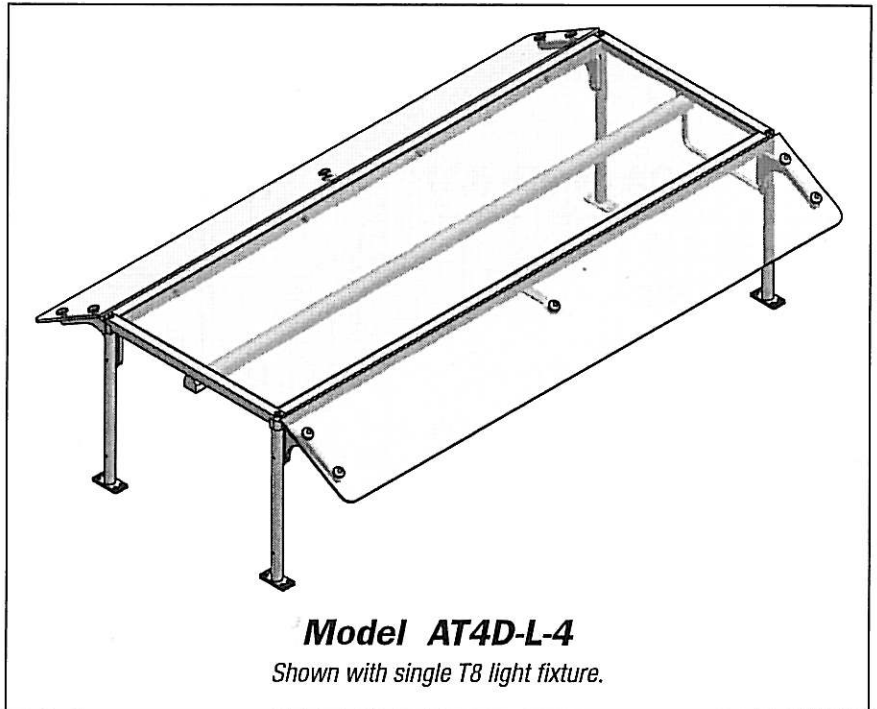
1"Ø CNC machined solid supports

Clear tempered glass panels that meet or exceed ANSI Z97.1 standards.

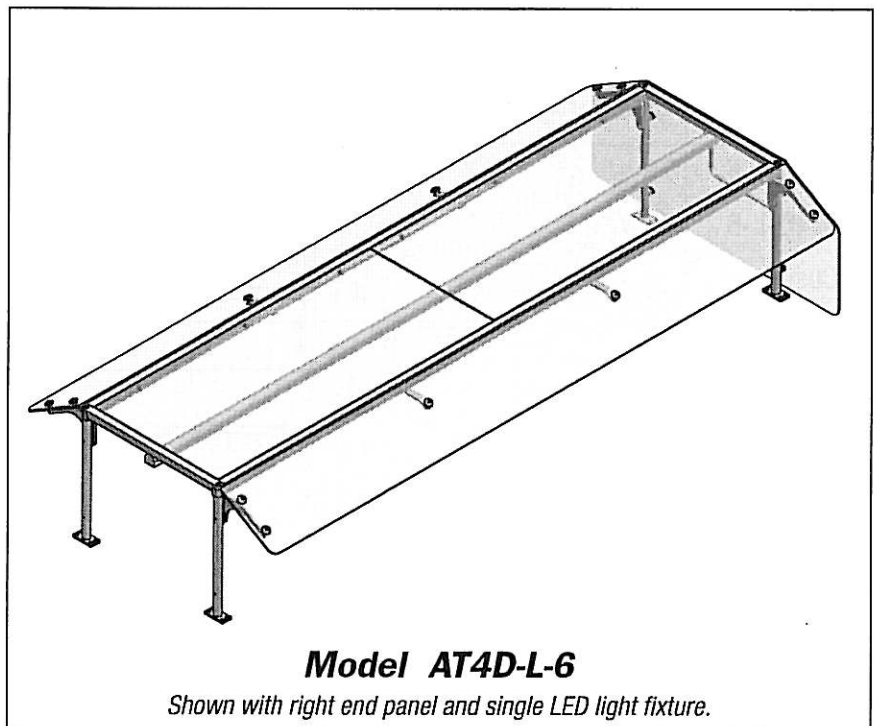
A wide range of finish options are available to match any décor.

Exceptional construction – all components CNC machined in the USA for years of service. Modular design and machined componentry allows for changes or additions at a later date.

Produced, finished and assembled in the USA.



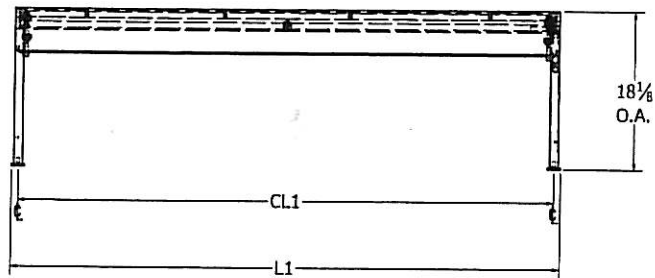
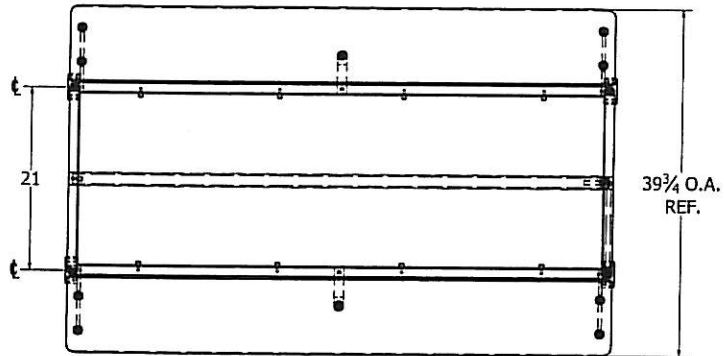
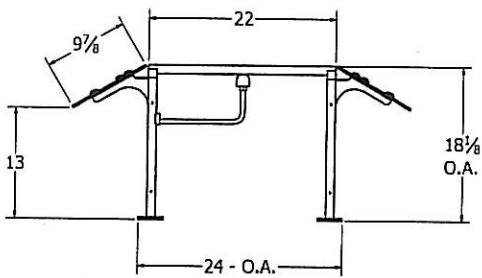
VERSA-GARD®
Copyright © Versa-Gard, 2010



Self-Service Food Protector with single light

Model OA length (L1)

- AT4D-L-2 35 1/4"
- AT4D-L-3 49"
- AT4D-L-4 62 3/4"
- Custom _____



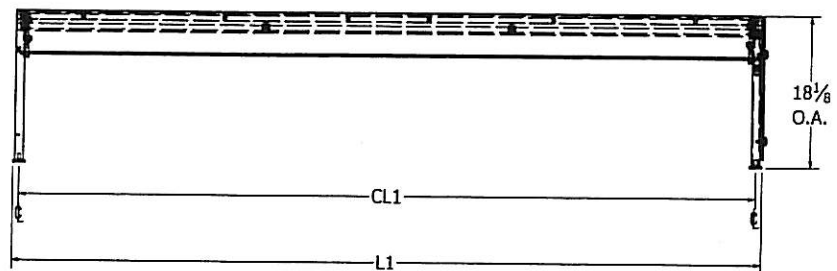
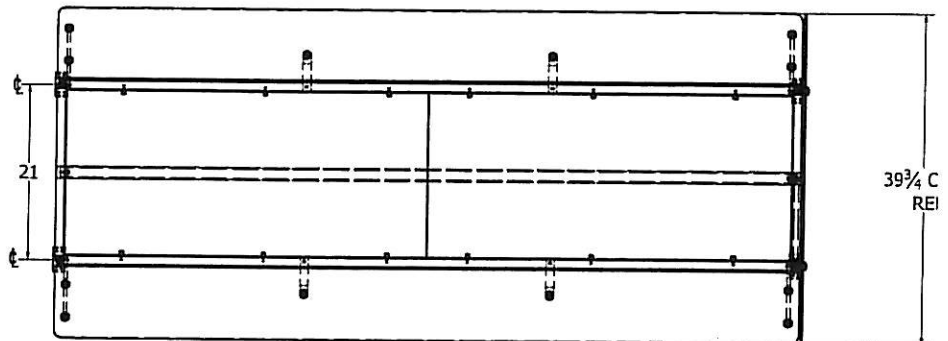
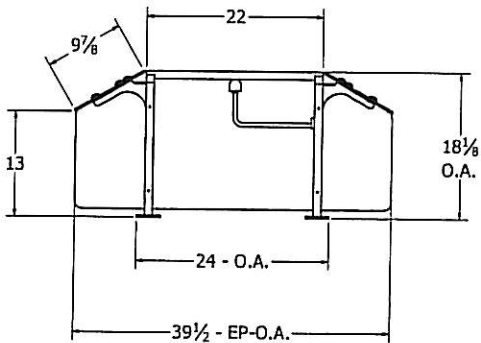
Shown with single T8 light fixture.

VERSA-GARD
Copyright © Versa-Gard, 2010



Model OA length (L1)

- AT4D-L-5 76 1/2"
- AT4D-L-6 90 1/4"
- Custom _____



Shown with right end panel and single LED light fixture.

AT SERIES FOOD SHIELDS

Self-Service Food Protector with dual lights Model AT4D-2L

Quantity: _____ Item No: _____

- Finish: Brushed & Anodized Aluminum
 Black Matte Powder Coat
 Silver Powder Coat
 Brushed Stainless Steel

End Panels: (from customer side)

- Left Right

Light Options:

- T8 fluorescent light fixture
 LED light fixture

DESCRIPTION

Self-service food protector with (2) light fixtures for double-sided counters.

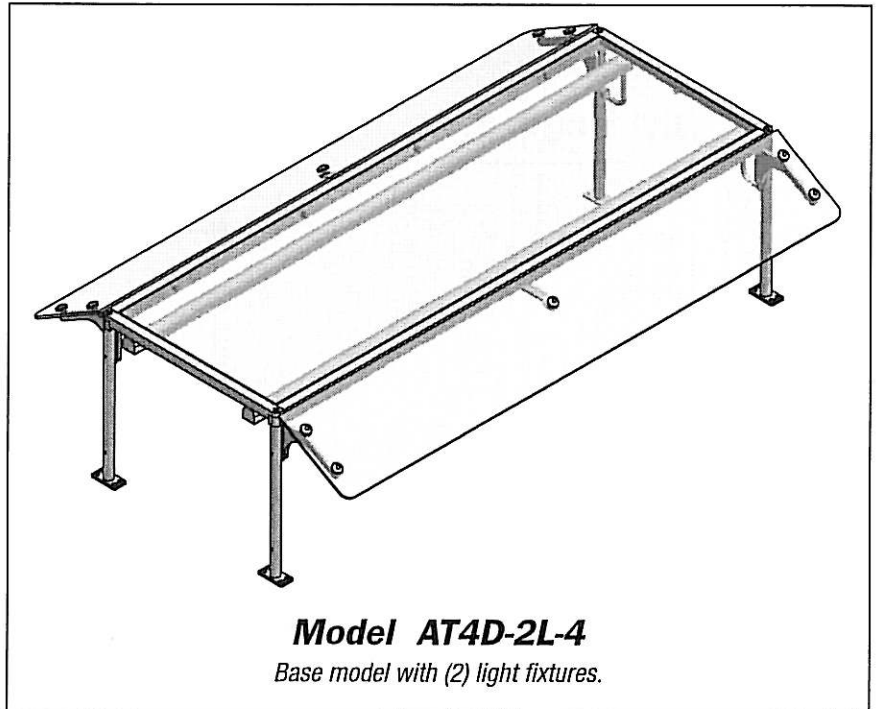
1"Ø CNC machined solid supports

Clear tempered glass panels that meet or exceed ANSI Z97.1 standards.

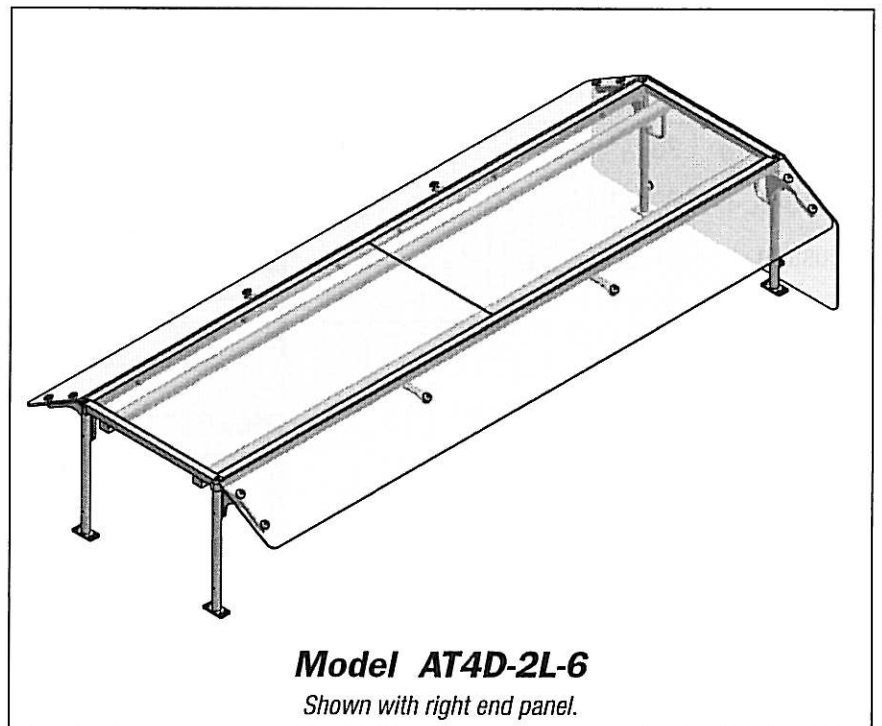
A wide range of finish options are available to match any décor.

Exceptional construction – all components CNC machined in the USA for years of service. Modular design and machined componentry allows for changes or additions at a later date.

Produced, finished and assembled in the USA.

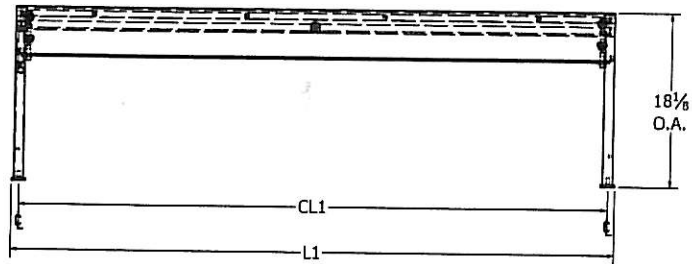
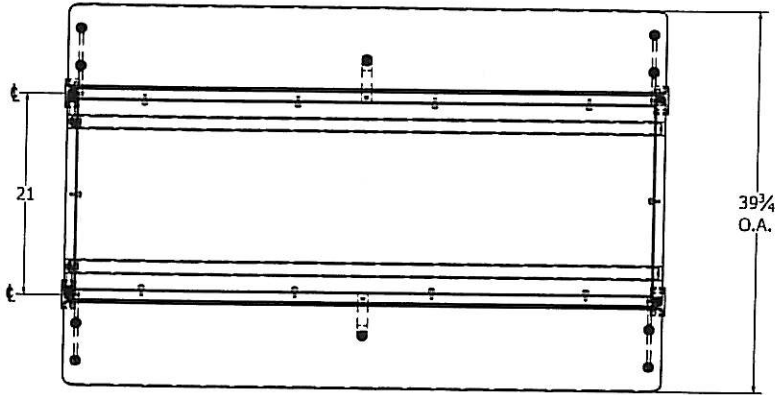
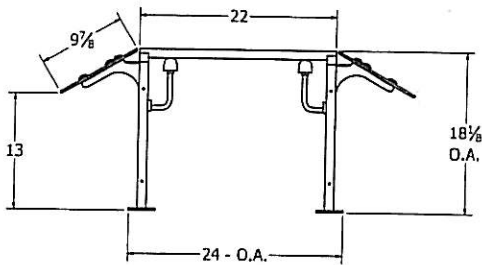


VERSA-GARD®
Copyright © Versa-Gard, 2010



Self-Service Food Protector with dual lights

Model	OA length (L1)
<input type="checkbox"/> AT4D-2L-2	35 1/4"
<input type="checkbox"/> AT4D-2L-3	49"
<input type="checkbox"/> AT4D-2L-4	62 3/4"
<input type="checkbox"/> Custom	_____

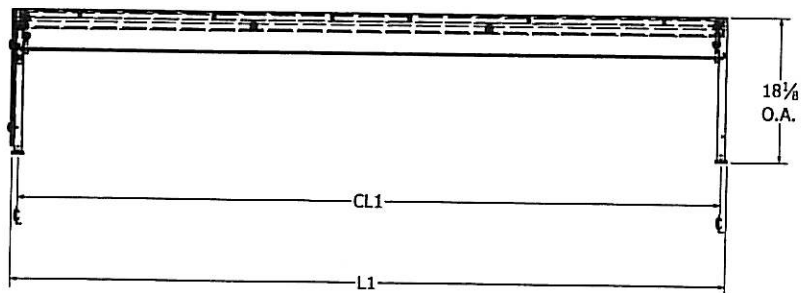
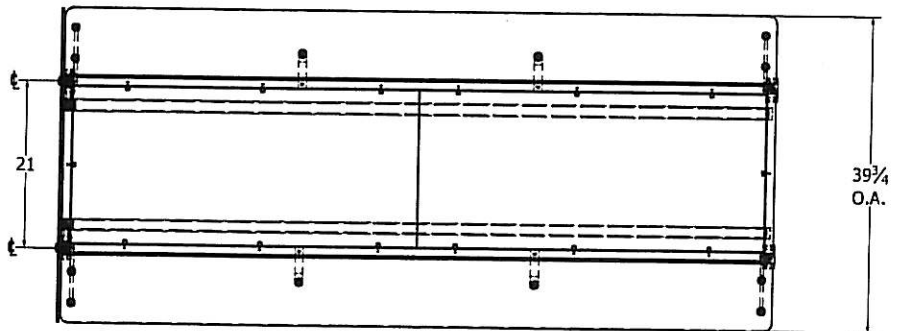
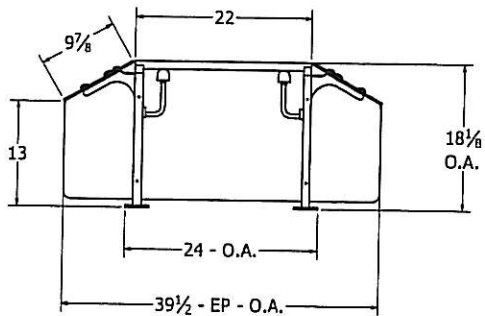


Base model with (2) light fixtures.

VERSA-GARD
Copyright © Versa-Gard, 2010



Model	OA length (L1)
<input type="checkbox"/> AT4D-2L-5	76 1/2"
<input type="checkbox"/> AT4D-2L-6	90 1/4"
<input type="checkbox"/> Custom	_____



Shown with left end panel.



a subsidiary of Mercury Aircraft
1135 NW 159 Dr., Miami, Florida 33169
Tel: (305) 625-2451 or (800) 762-7565 • Fax: (305) 623-0475