



T&S BRASS AND BRONZE WORKS, INC.
 2 Saddleback Cove / P.O. Box 1088
 Travelers Rest, SC 29690

Model No.
B-WH4-K

Item No.

Travelers Rest, SC: 800-476-4103 • Simi Valley, CA: 800-423-0150 • Fax: 864-834-3518 • www.tsbrass.com

This Space for Architect/Engineer Approval

Job Name _____ Date _____

Model Specified _____ Quantity _____

Customer/Wholesaler _____

Contractor _____

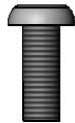
Architect/Engineer _____



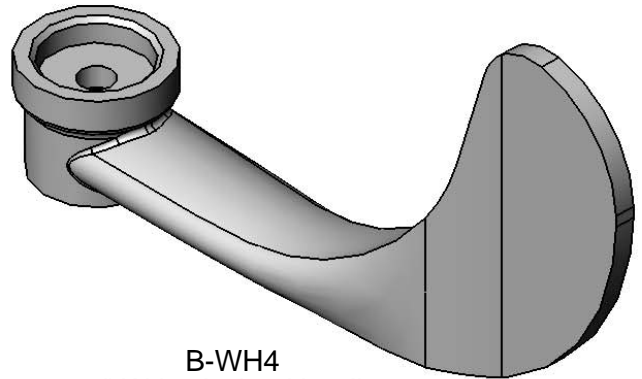
001194-45
 Red H.W. Index
 (Qty = 1 ea.)



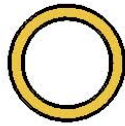
001686-45
 Blue C.W. Index
 (Qty = 1 ea.)



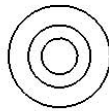
000925-45
 Handle Screw
 (Qty = 2 ea.)



B-WH4
 4" Wrist Action Handle
 (Qty = 2 ea.)



001466-20
 Quarter-Turn Sleeve
 (Qty = 2 ea.)



001136-45
 Teflon Seat Washer
 (Qty = 2 ea.)



000933-45
 Seat Washer Screw
 (Qty = 2 ea.)

Water Contact Parts

Product Specifications:
 Parts Kit For T&S Quarter-Turn Eterna Cartridges w/ 4" Wrist-Action Handle

Product Compliance:
 NSF 61 - Section 9
 NSF 372 (Low Lead Content)