



A family company manufacturing in the USA

www.glastender.com



GT-18



Intertek



Intertek

4004503

Conforms to NSF/ANSI STD 3 and UL STD 921
 Certified to CSA STD C22.2 No. 168

| | |
|--------------------------|------------|
| Project: _____ | AIA# _____ |
| Item #: _____ Qty: _____ | SIS# _____ |
| Model #: _____ | |

Rotary Rack Glasswasher

| | |
|-----------|-------|
| GT | GT-18 |
|-----------|-------|

Standard Features

- Removable top for easy cleaning access (GT-18, GT-18+1, GT-18+1L, GT-18+1R, GT-18+2, and GT-18+2-IC tops are interchangeable)
- Drive Wheel and Glass Rack lift out for cleaning
- Two 16" diameter polypropylene racks included
- No curtains are required
- Removable side panels for easy service access
- Spray box unlatches for easy cleaning and visual inspection
 - 15 spray nozzles have been engineered for maximum soil removal
- Digital temperature gauge built into switch panel
- Intelligent microprocessor control delays cycle start, up to two minutes, when incoming water is below 120°F (49°C)
- Automatic peristaltic metering pumps accurately dispense detergent, sanitizer and rinse aid
- Prime Switch for quick chemical priming
- 1/6 HP pump recirculates wash water and rinse water
- Fractional HP drive motor powers the belt-driven rotary rack and includes built-in slip clutch
- Built-in air gap - vacuum breaker is not required

Specifications

Materials

- 20 gauge stainless steel parts include: cabinet
- 18 gauge stainless steel parts include: floor and tanks
- 16 gauge stainless steel parts include: leg mounting brackets and legs
- 11 gauge stainless steel parts include: drive wheel

Detergent

- Extra heavy duty, non-foaming, commercial liquid dishwashing detergent is required - 0.30% concentration
- Consult local chemical supplier to match detergent with local water conditions

Sanitizer

- Liquid chlorine bleach (sodium hypochlorite - 5.25% solution) adjusted to 50 ppm

Rinse Aid

- Liquid Rinse Aid adjusted for proper sheeting

| | |
|---|-----------------|
| Glastender, Inc. • 5400 N Michigan Rd • Saginaw, MI • 48604-9780 989.752.4275 • 800.748.0423 • Fax 989.752.4444 www.glastender.com | Approval/Notes: |
| Specifications subject to change without notice. For current specifications please visit our website. | |

GT-18 Glasswasher

Specifications

| General Plumbing | |
|---------------------|--|
| Water Connection | 1/2" water supply 3/8" FMPT |
| Min. Water Pressure | 25 PSI |
| Max. Water Pressure | 100 PSI |
| Consumption | 2.5 gallons per cycle |
| Hot Water Supply | Max.: 150°F (66°C) Min.: 120°F (49°C) |

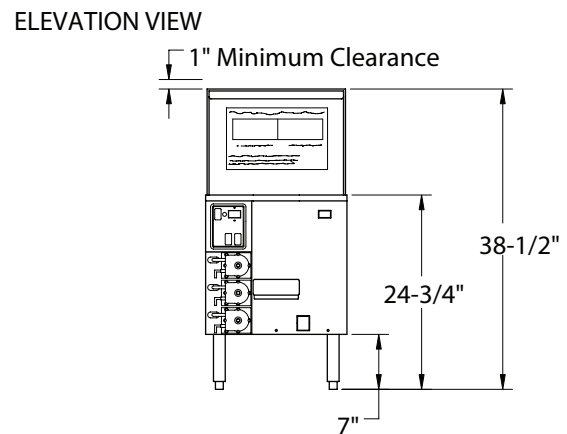
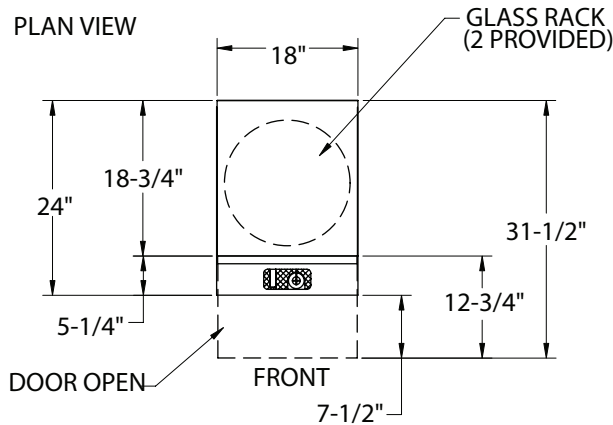
| Capacity |
|--|
| 720 - 2-1/2" diameter glasses per hour |
| 360 - 3-1/4" diameter glasses per hour |

| Operating Cycle |
|--|
| 2 min., 70 sec. wash, and 22 sec. rinse exposure |

| Electrical | |
|-------------------|--|
| Electrical Supply | 120V, 1 phase, 60 Hz |
| Full Load Amps | 3.5 amps, dedicated 15 amp circuit recommended |
| Plug Type | 6 foot NEMA 5-15P grounded cord included |



Drawings

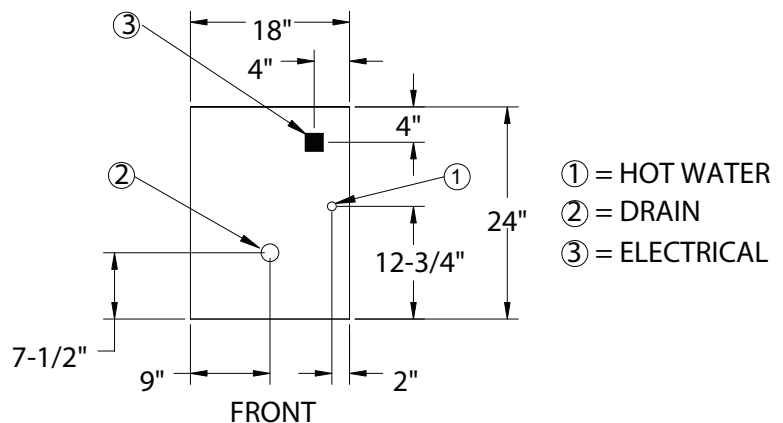


Mechanicals

Note: 1. In all cases, consult local plumbing, electrical and health codes for regulations which may not be consistent with the information on the front of this specification sheet

2. The utility connections are made from the floor at the bottom of the unit approximately 7" to 8" high.

3. The Glastender policy of constant quality improvement means specifications are subject to change without notice.



Installation Note:

Front side service is essential. Detergent, Sanitizer, and Rinse Aid containers are stored externally - six-foot lengths of tubing are provided. Storage for three one-gallon containers is required within five feet.



5400 N Michigan Rd • Saginaw, MI • 48604-9780
989.752.4275 • 800.748.0423 • Fax 989.752.4444
www.glastender.com

Printed in USA