



# T&S BRASS AND BRONZE WORKS, INC.

2 Saddleback Cove / P.O. Box 1088  
Travelers Rest, SC 29690

Model No.

**B-0699-ST**

Item No.

Travelers Rest, SC: 800-476-4103 • Simi Valley, CA: 800-423-0150 • Fax: 864-834-3518 • www.tsbrass.com



**ADA Compliant**

This Space for Architect/Engineer Approval

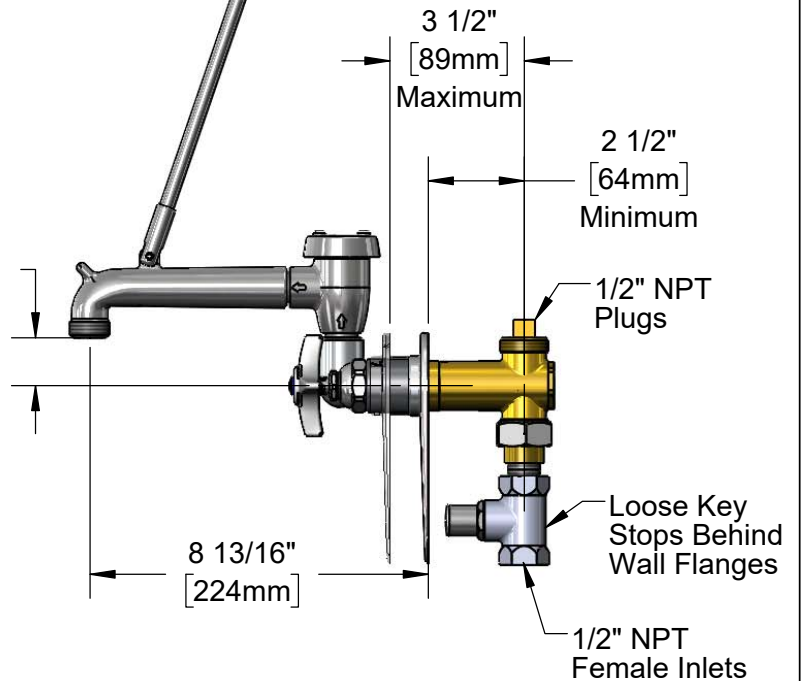
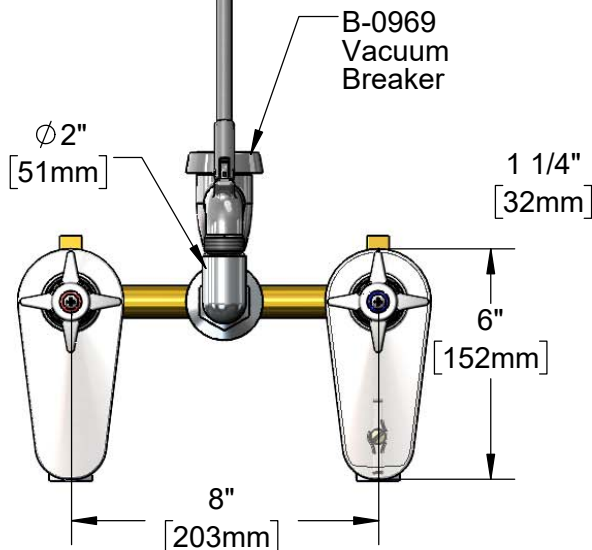
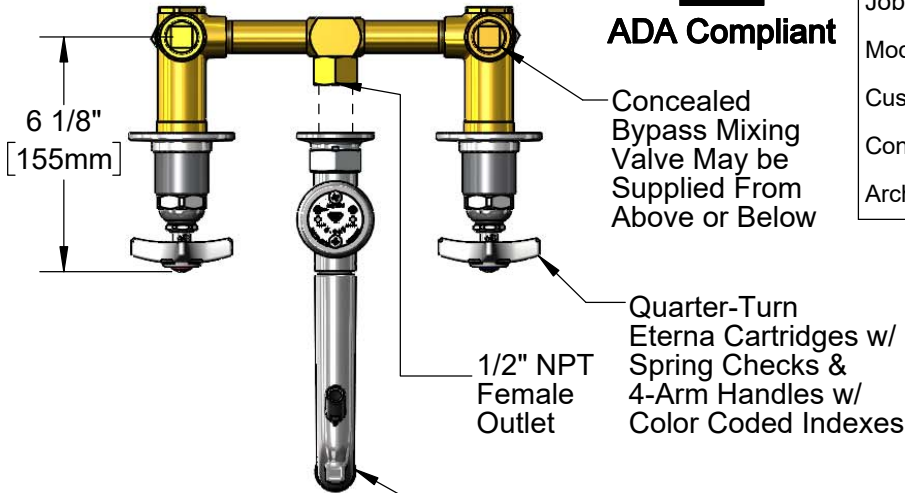
Job Name \_\_\_\_\_ Date \_\_\_\_\_

Model Specified \_\_\_\_\_ Quantity \_\_\_\_\_

Customer/Wholesaler \_\_\_\_\_

Contractor \_\_\_\_\_

Architect/Engineer \_\_\_\_\_



**Rough-In Requirement:**  
(2) Ø1 1/2" [38mm] Mounting Holes

**Product Specifications:**  
8" Wall Mount Concealed Mixing Valve, Quarter-Turn Eterna Cartridges w/ Spring Checks, 4-Arm Handles, Spout w/ Pail Hook & Male Garden Hose Outlet, Upper Support Rod, Loose Key Stops and 1/2" NPT Female Inlets

**Product Compliance:**  
ASME A112.18.1 / CSA B125.1  
NSF 61 Exempt (Non-Potable)  
ANSI A117.1 (ADA)



# T&S BRASS AND BRONZE WORKS, INC.

2 Saddleback Cove / P.O. Box 1088  
Travelers Rest, SC 29690

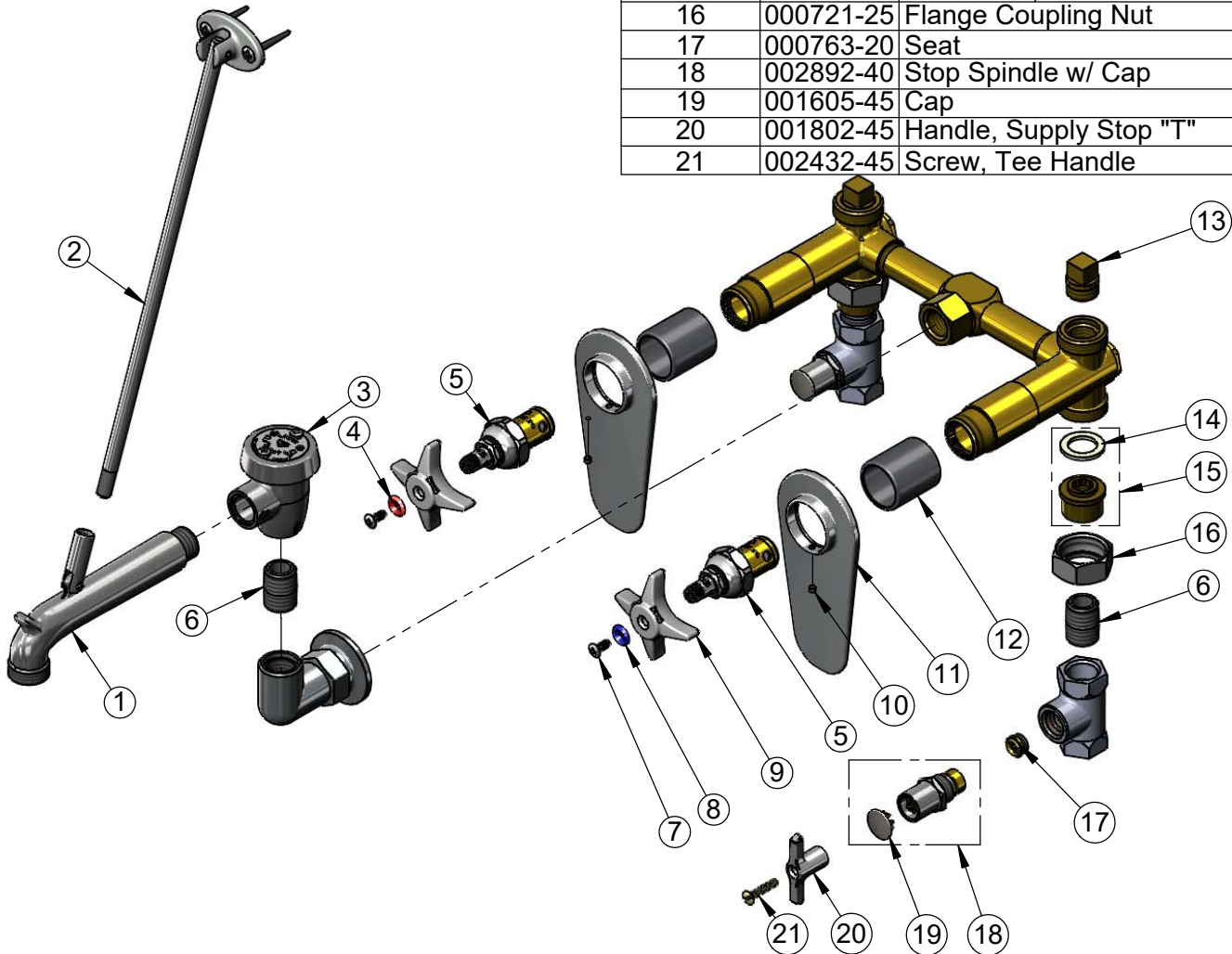
Model No.

**B-0699-ST**

Item No.

Travelers Rest, SC: 800-476-4103 • Simi Valley, CA: 800-423-0150 • Fax: 864-834-3518 • www.tsbrass.com

ITEM NO.	SALES NO.	DESCRIPTION
1	009545-40	Nozzle w/ Clevis - Polished Chrome
2	009546-40	Support Rod - Polished Chrome
3	B-0969	Vacuum Breaker
4	001661-45	Red Index-HW
5	012443-40	Quarter-Turn Eterna Cartridge w/ Spring Check, RTC
6	002534-25	Close Nipple, 1/2" NPT
7	000922-45	Lever Handle Screw
8	001660-45	Blue Index-CW
9	002521-45	4-Arm Handle
10	000939-45	Escutcheon, Set Screw
11	002820-40	Tear-Drop Escutcheon
12	151F	Escutcheon Tube
13	001347-20	1/2" NPT Square Head Plug
14	001019-45	Coupling Nut Washer
15	153F	Union Half, 1/2 NPT w/ Washer
16	000721-25	Flange Coupling Nut
17	000763-20	Seat
18	002892-40	Stop Spindle w/ Cap
19	001605-45	Cap
20	001802-45	Handle, Supply Stop "T"
21	002432-45	Screw, Tee Handle



**Product Specifications:**

8" Wall Mount Concealed Mixing Valve, Quarter-Turn Eterna Cartridges w/ Spring Checks, 4-Arm Handles, Spout w/ Pail Hook & Male Garden Hose Outlet, Upper Support Rod, Loose Key Stops and 1/2" NPT Female Inlets

**Product Compliance:**

ASME A112.18.1 / CSA B125.1  
NSF 61 Exempt (Non-Potable)  
ANSI A117.1 (ADA)