

# Self-Contained Pass Thru Back Bar Refrigeration

Refrigeration



KPT60L shown with optional Stainless Steel Top, Glass Doors

## Specifications

<b>Refrigeration</b>	<ul style="list-style-type: none"> <li>Self-contained R290 Hydrocarbon Refrigerant</li> <li>30°F-40°F operating range (set at 35°F) unless specified otherwise</li> </ul>																							
	<ul style="list-style-type: none"> <li>115 V, 1 Phase, 60 Hz.</li> <li>Furnished with 8'-0" plug-in cord, which exits left rear of cooler</li> <li>NEMA 5-15P plug configuration</li> <li>Dedicated 15 amp circuit recommended</li> </ul>																							
<b>Electrical</b>	<ul style="list-style-type: none"> <li>KPT36L: 2.8 full load amps, 1/5 HP</li> <li>KPT52L: 4.8 full load amps, 1/4 HP</li> <li>KPT60L: 4.8 full load amps, 1/4 HP</li> <li>KPT72L: 4.8 full load amps, 1/4 HP</li> <li>KPT84L: 5.8 full load amps, 1/3 HP</li> </ul>																							
	<table border="1"> <thead> <tr> <th></th> <th>36"</th> <th>52"</th> <th>60"</th> <th>72"</th> <th>84"</th> </tr> </thead> <tbody> <tr> <td><b>Long Neck Bottles</b></td> <td>7</td> <td>12</td> <td>15.5</td> <td>19</td> <td>24.5</td> </tr> <tr> <td><b>12 oz. Cans</b></td> <td>10</td> <td>20</td> <td>23</td> <td>30</td> <td>34</td> </tr> <tr> <td><b>Wine Bottles</b></td> <td>72</td> <td>126</td> <td>162</td> <td>180</td> <td>248</td> </tr> </tbody> </table>		36"	52"	60"	72"	84"	<b>Long Neck Bottles</b>	7	12	15.5	19	24.5	<b>12 oz. Cans</b>	10	20	23	30	34	<b>Wine Bottles</b>	72	126	162	180
	36"	52"	60"	72"	84"																			
<b>Long Neck Bottles</b>	7	12	15.5	19	24.5																			
<b>12 oz. Cans</b>	10	20	23	30	34																			
<b>Wine Bottles</b>	72	126	162	180	248																			
<b>Interior</b>	<ul style="list-style-type: none"> <li>20 gauge stainless steel with coved corners</li> <li>NSF epoxy coated durable wire shelves (one bottom and two adjustable shelves per door)</li> <li>Floor rack per door</li> <li>Standard Door opening: 19-15/16"W x 29-11/16"H</li> <li>Narrow Door opening: 15-15/16"W x 29-11/16"H</li> </ul>																							
	<ul style="list-style-type: none"> <li>Sides: 20 gauge stainless steel or black vinyl</li> <li>Front: 20 gauge stainless steel, black vinyl or glass</li> <li>Back: 20 gauge stainless steel, black vinyl or glass</li> <li>Top: 20 gauge galvanized steel with option of stainless steel</li> </ul>																							
<b>Exterior</b>	<ul style="list-style-type: none"> <li>2" thick foamed-in-place polyurethane</li> </ul>																							
<b>Insulation</b>	<ul style="list-style-type: none"> <li>No drain connection required</li> <li>Condensate evaporator pan included</li> </ul>																							
<b>Plumbing</b>																								

## Standard Features

- Doors on both sides make it accessible from front & back
- 35"H without Top, 36"H with 1" Optional Top
- 26" Front to Back Depth (27-1/2" with Top)
- Stainless steel handles with built-in locks
- Built-in Cool White LED Lighting (7000K)
- Digital thermostat
- DynamicChill 360° Technology
- Heated mullion to minimize condensation
- Approved for NSF 7 Open Food Storage
- Choice of Door Styles and Finish
- NSF Epoxy Coated Durable Wire Shelves. One Bottom and Two Adjustable Shelves Per Door
- Pre-drilled bottom for optional legs or casters (uses 1/4-20 self tapping 1/2"L screw)
- R290 Hydrocarbon Refrigerant
- Eco-friendly Refrigerant and Insulation
- 5-Year Compressor Warranty
- 1-Year Parts & Labor Warranty

## Optional Accessories

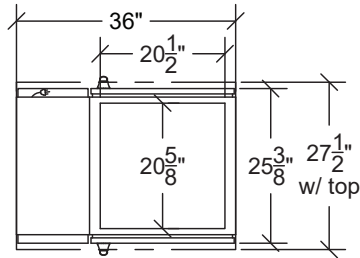
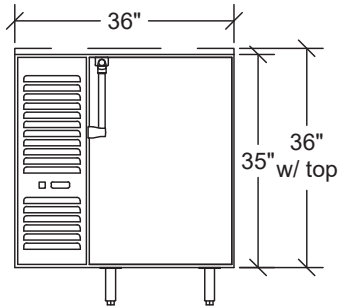
Model	Description
BS-100	6" Stainless Steel Legs (Set of 4)
BS-101	6" Stainless Steel Legs (Set of 6)
BS-102	4" Stainless Steel Legs (Set of 4)
BS-103	4" Stainless Steel Legs (Set of 6)
BS-116	Left Side Stainless Steel Kick Plate for Pass Thru
BS-117	Right Side Stainless Steel Kick Plate for Pass Thru
BS-236	Front & Rear Kickplates for 36" Pass Thru
BS-252	Front & Rear Kickplates for 52" Pass Thru
BS-260	Front & Rear Kickplates for 60" Pass Thru
BS-272	Front & Rear Kickplates for 72" Pass Thru
BS-284	Front & Rear Kickplates for 84" Pass Thru
BC-130	1" Ultra Low Profile Casters w/ brakes (Set of 4)
BC-131	1" Ultra Low Profile Casters w/ brakes (Set of 6)
BC-132	2" Low Profile Casters w/ brakes (Set of 4)
BC-133	2" Low Profile Casters w/ brakes (Set of 6)
BC-134	3" Casters w/ brakes (Set of 4)
BC-135	3" Casters w/ brakes (Set of 6)
BS-201	White Wine Temp, 50°F - 55°F
BS-202	Red Wine Temp, 60°F - 65°F
BS-551	Upgrade: Blue LED Light for Pass Thru
BC-823	Upgrade: Warm White 3500K LED Light for Pass Thru
BC-811	Side Guard Rail for Shelving



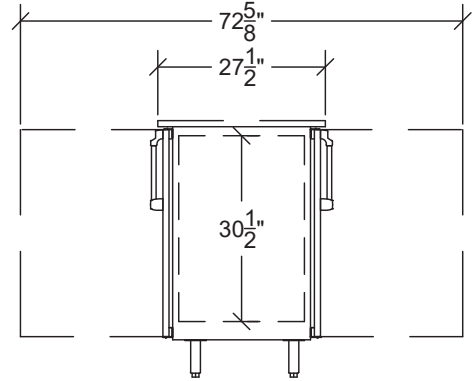
## Self-Contained Pass Thru Back Bar Refrigeration

Refrigeration

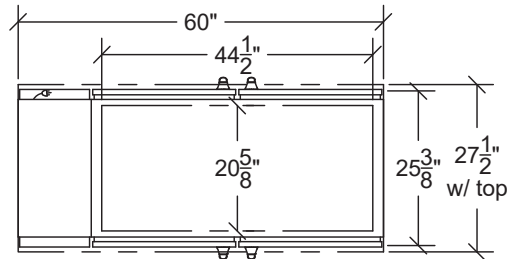
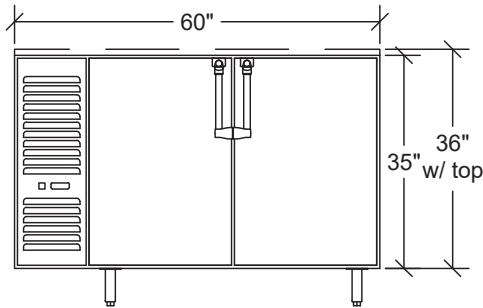
Base Model	Length	Doors	Amps	HP	Weight
KPT36L	36"	2	2.8	1/5	325 lbs.



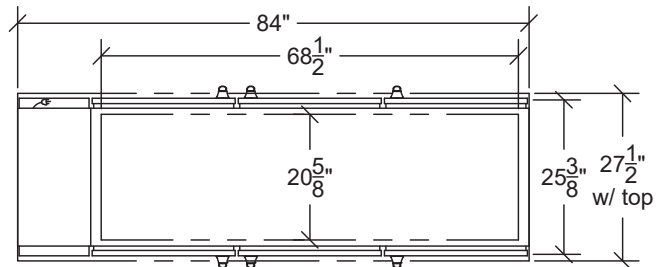
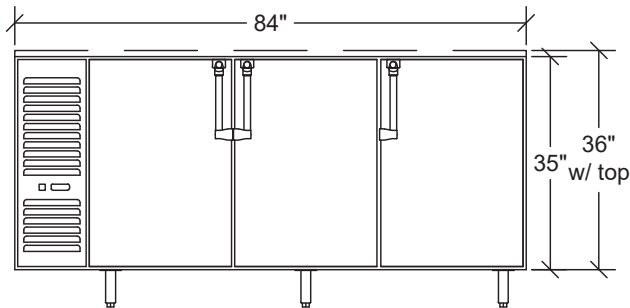
This side view applies to Base Models KPT36L, KPT60L, and KPT84L



Base Model	Length	Doors	Amps	HP	Weight
KPT60L	60"	4	4.8	1/4	445 lbs.



Base Model	Length	Doors	Amps	HP	Weight
KPT84L	84"	6	5.8	1/3	600 lbs.



This equipment is intended for the storage and display of non-potentially hazardous bottle or canned products only.

**Note:** Optional casters raise height 1" higher than wheel size. Optional 4" or 6" legs available.

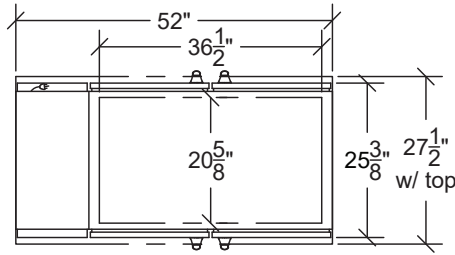
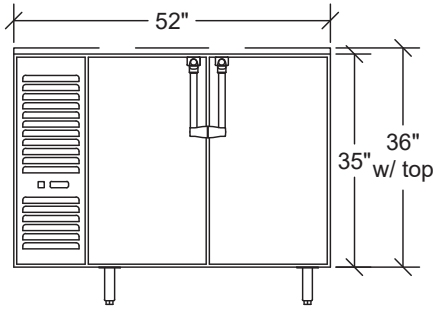
This equipment is intended for use in an area where the ambient temperature typically does not exceed 75 °F.

## Self-Contained Pass Thru Back Bar Refrigeration

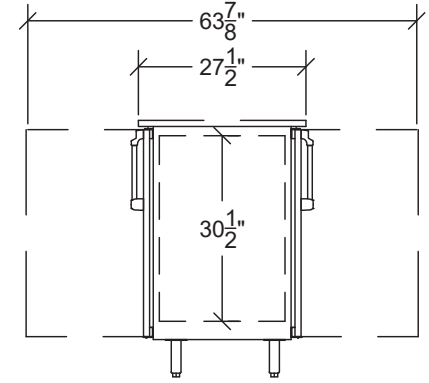
Refrigeration

### Narrow Door Pass Thru

Base Model	Length	Doors	Amps	HP	Weight
KPT52L	52"	4	4.8	1/4	435 lbs.

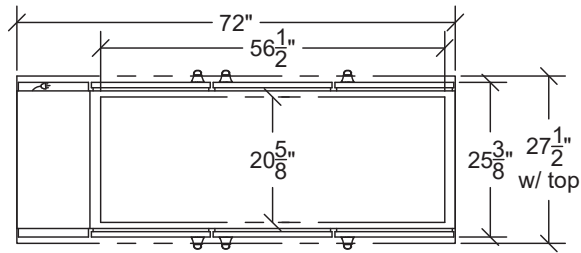
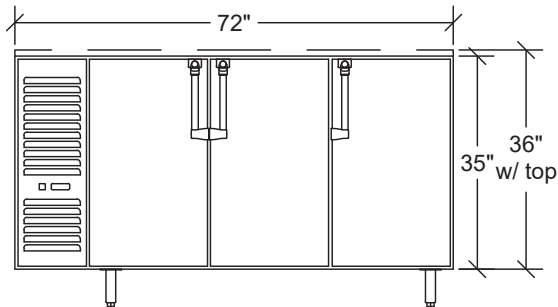


This side view applies to Base Models KPT52L and KPT72L



### Narrow Door Pass Thru

Base Model	Length	Doors	Amps	HP	Weight
KPT72L	72"	6	4.8	1/4	580 lbs.



This equipment is intended for the storage and display of non-potentially hazardous bottle or canned products only.

This equipment is intended for use in an area where the ambient temperature typically does not exceed 75 °F.

**Note:** Optional casters raise height 1" higher than wheel size. Optional 4" or 6" legs available.