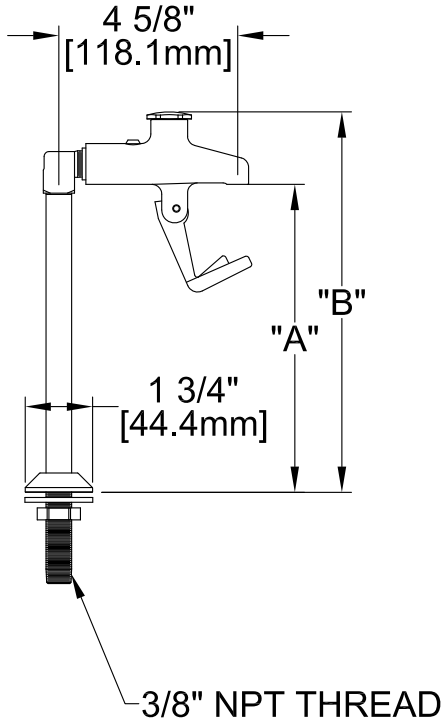
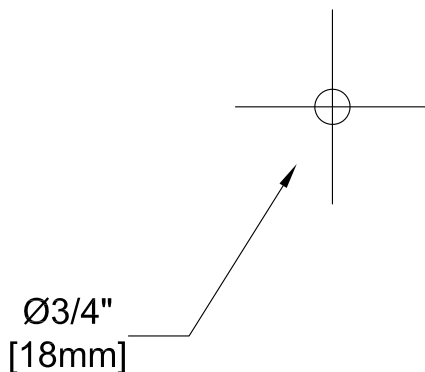


Customer/Wholesaler:	Date:	Job Name:	Model Specified:	Quantity:
Contractor:		Architect/Engineer:		



MODEL	DIM "A"	DIM "B"
1007	8" [203mm]	9-3/4" [248mm]
1008	10" [254mm]	11-3/4" [299mm]
12513	12" [305mm]	13-3/4" [350mm]
12726	14" [356mm]	15-3/4" [400mm]

**ROUGH-IN:**



**MODEL:**

- 1007 GLASS FILLER 08 PED 3/8M
- 1008 GLASS FILLER 10 PED 3/8M
- 12513 GLASS FILLER 12 PED 3/8M
- 12726 GLASS FILLER 14 PED 3/8M

**OPTIONS OR MODIFICATIONS:**

- OTHER \_\_\_\_\_

**FEATURES**

- \* REPLACEABLE CHROME PLATED HEAD
- \* MEETS NSF 61/SEC.9\*\*
- \* TAMPER PROOF VOLUME CONTROL
- \* HANDLES BOTH PAPER & GLASS CUPS
- \* NON-MARRING DELRIN PRONG
- \* STAINLESS STEEL SEAT SCREW
- \* STAINLESS STEEL STREAM STRAINER

**SYSTEM LIMITS**

- \* TEMP: 40°F MIN. TO 160°F MAX.
- \* PRESSURE: 100 PSI MAX. STATIC
- \* 2.20 GPM AT 60 PSI (8.3 L/min @410 KPa)

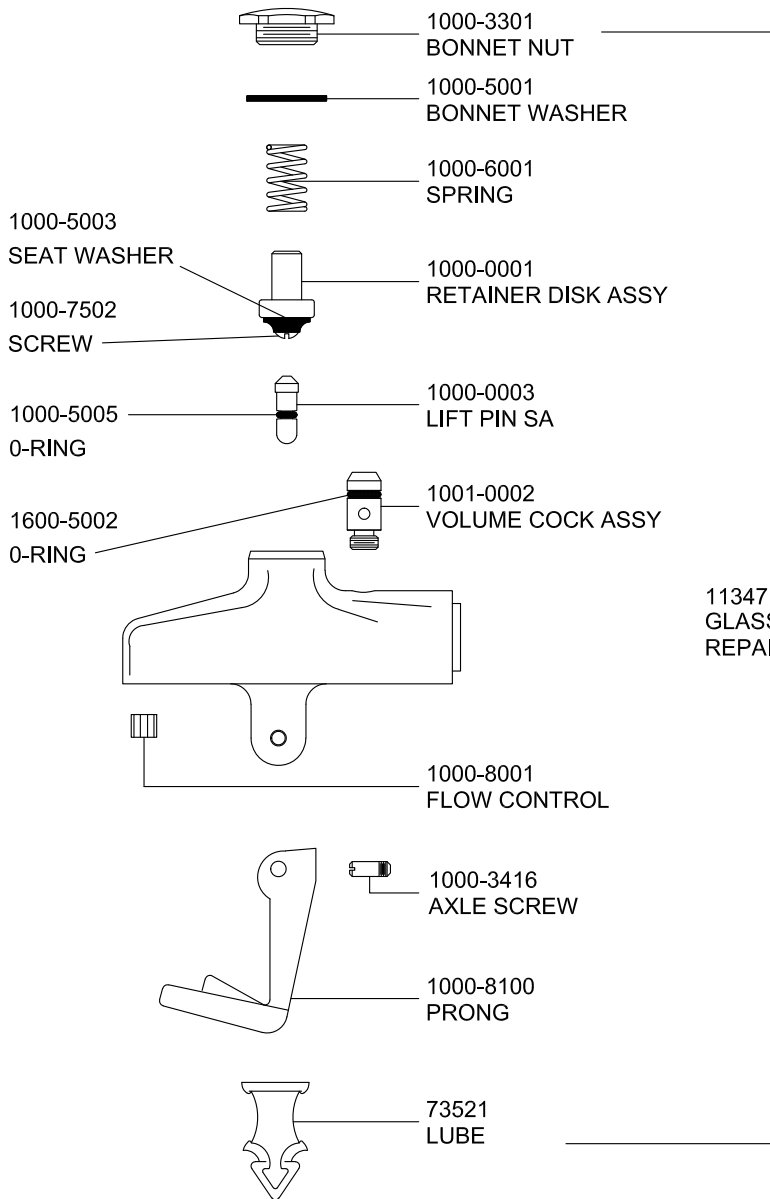
**SHIPPING WEIGHT**

- \* 4.0 LBS

**PRODUCT COMPLIANCE:**

- \* ASME A112.18.1 / CSA B125.1
- \* NSF 61 - Section 9
- \* NSF 372 (Low Lead Content)

## Replacement Parts for Glass Fillers



11347  
GLASS FILLER  
REPAIR KIT

