

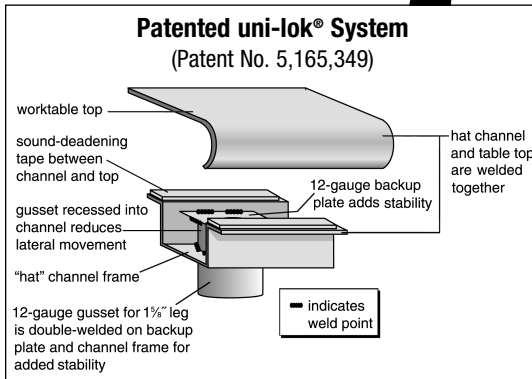
Specification Sheet

Short Form Specifications

BlendPort® worktables, Budget series, model _____.
Top constructed of heavy gauge type 430 stainless steel with 1½" roll on front, 1½" rear upturn, and sides turned down 90°. Undershef is adjustable and constructed of heavy gauge type 430 stainless steel with marine edge. Top reinforced with hat channels and sound deadened. Constructed with uni-lok® patented gusset system with the gussets recessed to reduce lateral movement. Legs are 1½" O.D. stainless steel, with galvanized gussets and 1" stainless steel adjustable bullet feet.



worktable with upturn and adjustable undershef



Worktables with Rear Upturn and Stainless Steel Base with Adjustable Undershef —Budget Series

MODELS:

- | | | |
|--|--|--|
| <input type="checkbox"/> BPT-2424SB-UT | <input type="checkbox"/> BPT-2484SB-UT | <input type="checkbox"/> BPT-3060SB-UT |
| <input type="checkbox"/> BPT-2430SB-UT | <input type="checkbox"/> BPT-2496SB-UT | <input type="checkbox"/> BPT-3072SB-UT |
| <input type="checkbox"/> BPT-2436SB-UT | <input type="checkbox"/> BPT-3024SB-UT | <input type="checkbox"/> BPT-3084SB-UT |
| <input type="checkbox"/> BPT-2448SB-UT | <input type="checkbox"/> BPT-3030SB-UT | <input type="checkbox"/> BPT-3096SB-UT |
| <input type="checkbox"/> BPT-2460SB-UT | <input type="checkbox"/> BPT-3036SB-UT | |
| <input type="checkbox"/> BPT-2472SB-UT | <input type="checkbox"/> BPT-3048SB-UT | |

Tabletop

- Patented uni-lok® gusset system (patent #5,165,349): gussets are recessed into hat channel, reducing lateral movement.
- Top reinforced with welded-on hat channel.
- Sound-deadened between top and channels.
- 1½" (38mm) 90° rear upturn with radius at intersection.
- 1½" (41mm)-diameter 180° rolled edge on front. Ends are turned down 90° providing for flush installations when required.
- Heavy gauge type 430 polished stainless steel.

Adjustable Undershef

- Heavy gauge stainless steel.
- Gusset welded on each corner.
- Heavy duty marine edge.

Legs—1½" (41mm)-diameter

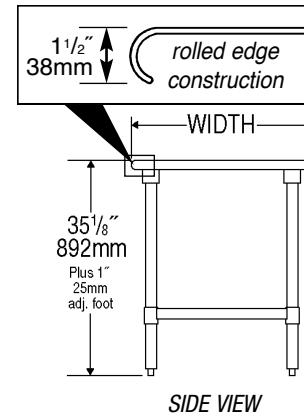
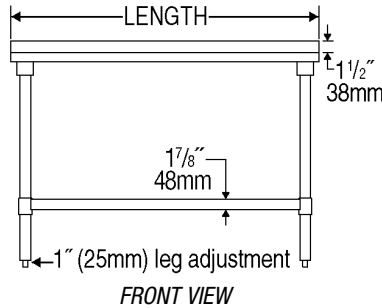
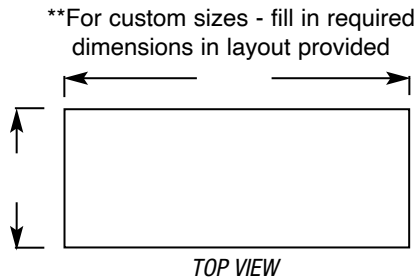
- Units 96" to 120" (2438 to 3048mm) long come with six legs; Units 132" and 144" (3353 and 3658mm) come with eight legs.
- Heavy gauge stainless steel.
- 1" (25mm) adjustable stainless steel feet*.

* Optional casters available. Consult factory.



Item No.: _____
 Project No.: _____
 S.I.S. No.: _____

Worktables with Rear Upturn and Stainless Steel Base with Adjustable Undershelf—Budget Series



model #	# of legs	width		length		weight	
		in.	mm	in.	mm	lbs.	kg
BPT-2424SB-UT	4	24"	610	24"	610	52	23.6
BPT-2430SB-UT	4	24"	610	30"	762	57	25.9
BPT-2436SB-UT	4	24"	610	36"	914	60	27.2
BPT-2448SB-UT	4	24"	610	48"	1219	69	31.3
BPT-2460SB-UT	4	24"	610	60"	1524	85	38.6
BPT-2472SB-UT	4	24"	610	72"	1829	92	41.7
BPT-2484SB-UT	4	24"	610	84"	2134	138	62.6
BPT-2496SB-UT	6	24"	610	96"	2438	164	74.4
BPT-3024SB-UT	4	30"	762	24"	610	62	28.1
BPT-3030SB-UT	4	30"	762	30"	762	64	29.0
BPT-3036SB-UT	4	30"	762	36"	914	66	29.9
BPT-3048SB-UT	4	30"	762	48"	1219	82	37.2
BPT-3060SB-UT	4	30"	762	60"	1524	89	40.4
BPT-3072SB-UT	4	30"	762	72"	1829	112	50.8
BPT-3084SB-UT	4	30"	762	84"	2134	142	64.4
BPT-3096SB-UT	6	30"	762	96"	2438	176	79.8



An Eagle Group Company
 100 Industrial Boulevard, Clayton, DE 19938-8903 USA
 Phone: 800-441-8440 • Fax: 302-653-2065

Printed in U.S.A.
 ©2023 by Eagle Group
 Rev. 03/23

Although every attempt has been made to ensure the accuracy of the information provided, we cannot be held responsible for typographical or printing errors. Information and specifications are subject to change without notice. Please confirm at time of order.