

# FULL JACKET ELECTRIC STEAM TRI-LEG KETTLE



- EL-20F
- EL-30F
- EL-40F
- EL-60F

### OPERATION SHALL BE BY:

Electrically, self-generating closed steam system equipped for operation on:

- 208 VAC, 1 phase, 50/60 Hz (12 to 18 kW only)
- 208 VAC, 3 phase, 50/60 Hz
- 220 VAC, 1 phase, 50/60 Hz (12 to 18 kW only)
- 220 VAC, 3 phase, 50/60 Hz
- 240 VAC, 1 phase, 50/60 Hz (12 to 18 kW only)
- 240 VAC, 3 phase, 50/60 Hz
- 380/220 VAC, 3 phase, 50/60 Hz. 4 wire
- 415/240 VAC, 3 phase, 50/60 Hz. 4 wire

### OPTIONS & ACCESSORIES AT ADDITIONAL COST

- |                                                                                            |                                                                               |                                                              |
|--------------------------------------------------------------------------------------------|-------------------------------------------------------------------------------|--------------------------------------------------------------|
| <input type="checkbox"/> 3" (76 mm) draw-off valve (TVT-3) with perforated strainer (TPS-) | <input type="checkbox"/> Etched gallon markings (GM-)                         | <input type="checkbox"/> Strainer hook (SH)                  |
| <input type="checkbox"/> 24 kw on 40, 60, 80 gallon                                        | <input type="checkbox"/> Etched litre markings(LM-)                           | <input type="checkbox"/> Draw-off valve hose kit (DVHK-2)    |
| <input type="checkbox"/> 33 kw on 60, 80, 100 gallon                                       | <input type="checkbox"/> Correctional package                                 | <input type="checkbox"/> Calibrated thermostat dial "F"      |
| <input type="checkbox"/> 380 VAC, 3 Phase, 50/60 Hz.                                       | <input type="checkbox"/> Single pantry faucet with swing spout (SF-12)        | <input type="checkbox"/> Calibrated thermostat dial "C"      |
| <input type="checkbox"/> 415 VAC, 3 Phase, 50/60 Hz.                                       | <input type="checkbox"/> Double pantry faucet with swing spout (DF-12)        | <input type="checkbox"/> Single pantry kettle filler (SP-KF) |
| <input type="checkbox"/> 480 VAC, 3 Phase, 50/60 Hz.                                       | <input type="checkbox"/> One piece lift off cover (C-)                        | <input type="checkbox"/> Double pantry kettle filler (DP-KF) |
| <input type="checkbox"/> 600 VAC, 3 Phase, 50/60 Hz.                                       | <input type="checkbox"/> Triple basket assembly (TBA-)                        | <input type="checkbox"/> Kettle heat shield (KHS-)           |
| <input type="checkbox"/> Two piece hinged stainless steel cover (2PHC-)                    | <input type="checkbox"/> Solid stainless steel disc for draw-off valve (TSS-) |                                                              |
|                                                                                            | <input type="checkbox"/> Graduated measuring strip (CMS-)                     |                                                              |

### STANDARD CONSTRUCTION SPECIFICATIONS

Shall be a Crown model EL-20F, EL-30F, EL-40F or EL-60F, self-generating, electric, full jacket, low height tri-leg kettle, ASME Code stamped, National Board Registered, c-CSA-us and NSF certified.

A double wall kettle interior shall form a steam jacket around the full kettle.

The jacket enclosure shall contain distilled water which is factory sealed.

The bottom of the kettle shall be of hemispherical design for superior heat circulation.

Kettle will be mounted on 3 stainless steel tubular legs fitted with a 4-hole adjustable foot for securing unit to the floor.

Construction shall be all welded #4 finish stainless steel, type 304.

The interior liner shall be standard 316 for high acid content cooking.

The controls shall be integrally mounted and shall include a power switch, thermostat, pilot light, low water light, vacuum/pressure gauge, safety relief valve and low water shut off.

Faucet bracket standard.

The kettle shall be standard with removable elements.

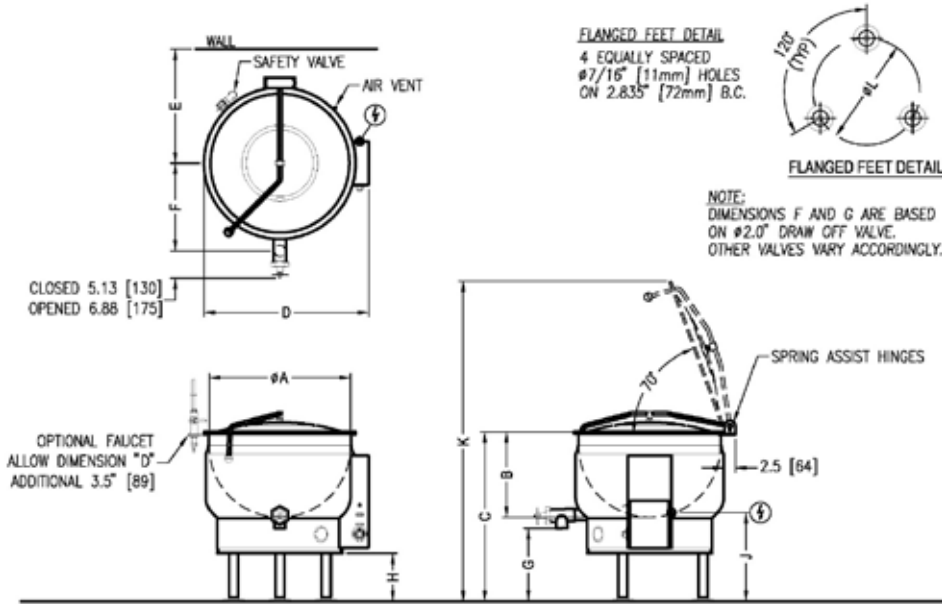
Convenience features shall include a 2" (50 mm) sanitary draw-off valve with perforated strainer and spring assist hinged stainless steel domed cover.

The kettle shall operate in a temperature range of 165°F to 285°F (74°C to 140°C) at a maximum pressure of 50 psi (345 kPa).



Approval Notes: \_\_\_\_\_

\_\_\_\_\_



**SERVICE CONNECTIONS**

⚡ – ELECTRICAL CONNECTION : to be specified on data plate

**DIMENSIONS**

MODEL	CAPACITY	UNITS	A	B	C	D	E	F	G	H	J	K	L
EL-20F	20 gallons (76 liters)	in (mm)	26" (660)	15.75" (400)	31.25" (794)	30.25" (768)	21" (533)	16.13" (410)	13.5" (343)	8.88" (225)	16.38" (416)	59" (1499)	19.63" (498)
EL-30F	30 gallons (114 liters)	in (mm)	29.5" (749)	17.5" (445)	33.5" (851)	33.75" (857)	20.63" (524)	18" (457)	14" (356)	9.63" (244)	17.13" (435)	64.38" (1635)	22.88" (581)
EL-40F	40 gallons (152 liters)	in (mm)	33" (838)	19.25" (489)	36.25" (921)	37" (940)	22.38" (568)	19.5" (495)	14.88" (378)	11.25" (286)	18.75" (476)	70.5" (1791)	26" (660)
EL-60F	60 gallons (227 liters)	in (mm)	35.5" (902)	20.5" (521)	38.5" (978)	40" (1016)	23.63" (600)	21.5" (546)	15" (381)	13" (330)	20.5" (521)	75.13" (1908)	29.13" (740)

**ELECTRICAL CHARACTERISTIC**

AVAILABLE kW			AMPS PER LINE								
MODEL	STANDARD	OPTIONAL	kW	PHASE	208V	220V	240V	380V	415V	480V	600V
EL-20F	18	24	18	1	86.5	81.8	75.0	N/A	N/A	N/A	N/A
EL-30F	18	24 or 33		3	50	47.2	43.3	27.3	25	21.6	17.3
EL-40F	18	24 or 33	24	3	66.6	62.9	57.7	36.4	33.3	28.8	23.1
EL-60F	24	33	33	3	91.6	86.6	79.4	50.1	45.9	39.7	31.7

**SPECIFICATIONS**

MODEL	kW	CAPACITY	
EL-20F	12	20 Gallon	76 Liter
EL-30F	15	30 Gallon	114 Liter
EL-40F	18	40 Gallon	152 Liter
EL-60F	24	60 Gallon	227 Liter

MODEL	SHIPPING WEIGHT	MINIMUM CLEARANCE	
EL-20F	245 lbs. [111 kg]	SIDES BACK	3" [ 76 mm] 3" [ 76 mm]
EL-30F	375 lbs. [170 kg]		
EL-40F	420 lbs. [191 kg]		
EL-60F	460 lbs. [209 kg]		

**INTENDED FOR COMMERCIAL USE ONLY.  
NOT FOR HOUSEHOLD USE.**

