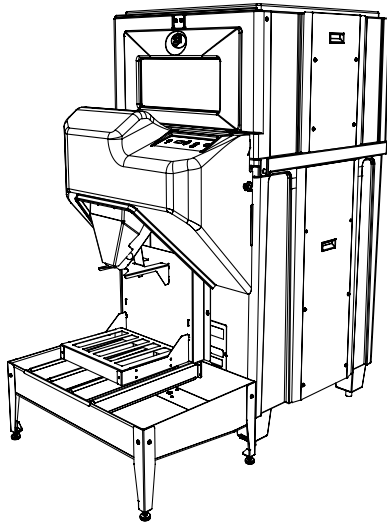


Ice Pro 1000 Jug and Cooler Kit
Item# 00979583



Ice Pro 650 Jug and Cooler Kit
Item# 00979013

Jug and cooler kit

for use with Ice Pro™ bagging and dispensing system

Features

The Jug and Cooler Kits are manufactured for use with the Follett® Ice Pro products, allowing you to easily and quickly dispense Chewblet® ice or cube ice into 5 L and 10 L jugs and larger coolers while minimizing ice spills. Use alongside a water dispenser to provide a complete hydration system. Ideal for applications where workers take jugs or coolers for hydration in jobs such as mining, central dispatch (e.g. electrical, cable), and agriculture.

Follett Ice Pro products provide large volume ice storage and fast dispense into bags, carts, pails or Totes™ ice carriers. Jug and Cooler Kits adapt the Ice Pro for optimum jug and cooler filling.

Fast and clean dispense

- fill a 5 L Willow¹ cooler in 5 seconds or less and a 10 L in 9 seconds or less
- designed to align jug necks with dispense to minimize ice spilling onto the floor
- clear dispense chute allows you to see into the jug while dispensing to avoid over filling

Easy to install, easy to use

- field retrofit the Ice Pro to a jug filling station
- align jug under dispense chute and push the dispense button

Designed to last

- stainless steel construction
- oversized drain pan catches any ice spills

¹ Willow Ware Australia Pty Ltd.

Ice Pro model	Approx. fill times (may vary)		Item number
	5 L jug	10 L jug	
DB1000	3 seconds	5 seconds	00979583
DB650	5 seconds	9 seconds	00979013

Job _____
Item _____

Follett Europe Polska Sp. z o.o.
Mokry Dwór 26C 83-021 Wiślina, Poland
Phone: +48 (58) 785-6140 | Fax: +48 (58) 785-6159
folletteurope.com

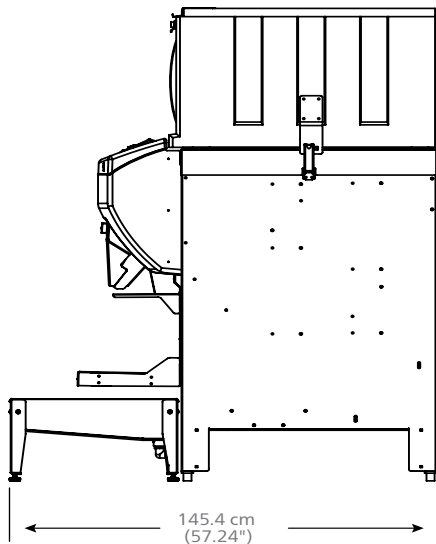
801 Church Lane | Easton, PA 18040, USA
1.610.252.7301 | Fax: +1.610.250.0696 | follettice.com

FOLLETT®
Innovative solutions, inspired by ice

Dimensional drawing

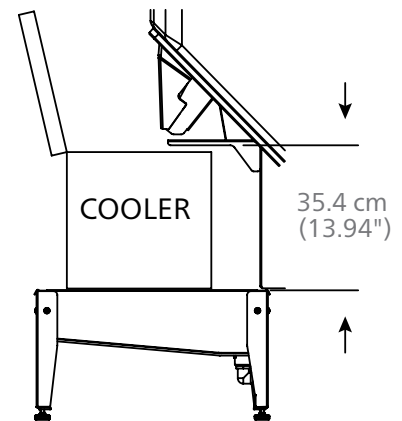
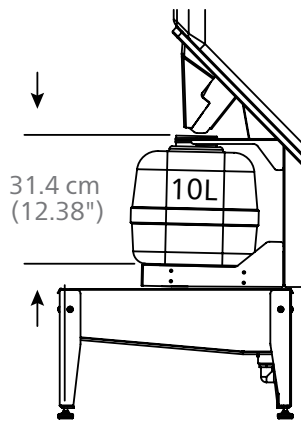
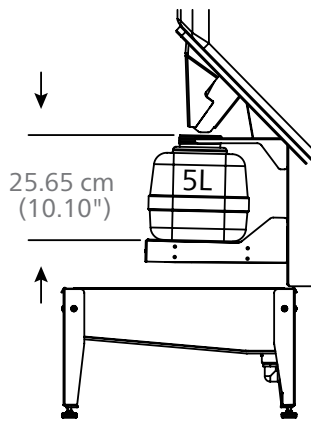
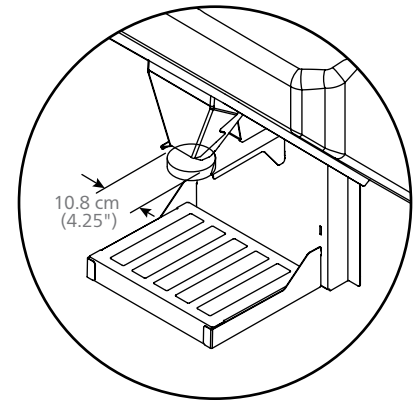
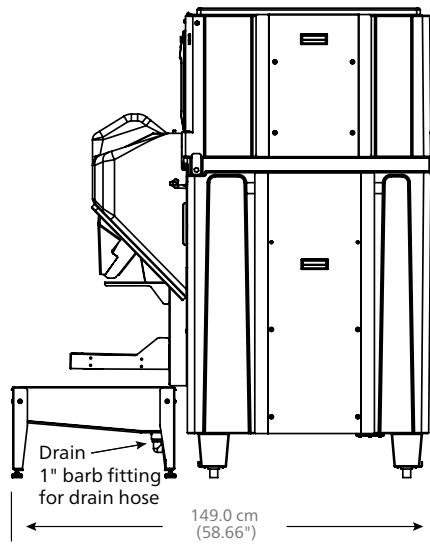
Ice Pro 1000 Jug and Cooler Kit

Item# 00979583



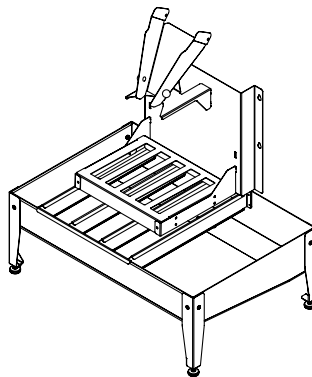
Ice Pro 650 Jug and Cooler Kit

Item# 00979013



Jug and Cooler Kits include: (item# 00979583 shown)

- Main support
- Jug guide
- Chute assembly
- Jug cradle assembly
- Support assembly
- Drain pan
- Legs with leveling
- Drain fitting
- Required screws and nuts



Notes:

Follett recommends installation of a floor drain for Jug and Cooler Kit drain fitting. For indoor use only. Some assembly required.

Ice Pro and Totes are trademarks of Follett LLC.

Chevrolet and Follett are registered trademarks of Follett LLC, registered in the US.

Follett reserves the right to change specifications at any time without obligation. Certifications may vary depending on country of origin.

Jug and cooler kit for use with Ice Pro

Form #6000 06/17
© Follett LLC



Follett Europe Polska Sp. z o.o.
Mokry Dwór 26C 83-021 Wiślina, Poland
Phone: +48 (58) 785-6140 | Fax: +48 (58) 785-6159
folletteurope.com

801 Church Lane | Easton, PA 18040, USA
1.610.252.7301 | Fax: +1.610.250.0696 | follettice.com

FOLLETT[®]
Innovative solutions, inspired by ice