

Fusion

GMS 52"H Heated Service Case

Structural Concepts®

DELIVERING FRESH. ALWAYS.™

(Lengths do not include 1-1/8" end panels)

- **GMS4H** 48-3/4"L x 42-3/4"D x 51-5/8"H
- **GMS6H** 73-1/8"L x 42-3/4"D x 51-5/8"H
- **GMS8H** 97-1/2"L x 42-3/4"D x 51-5/8"H

Included

- Lift-up front glass
- One year parts & labor warranty
- Stainless steel rear exterior



GMS6H

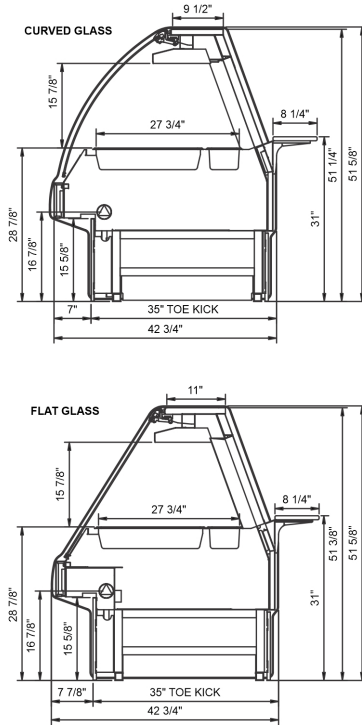
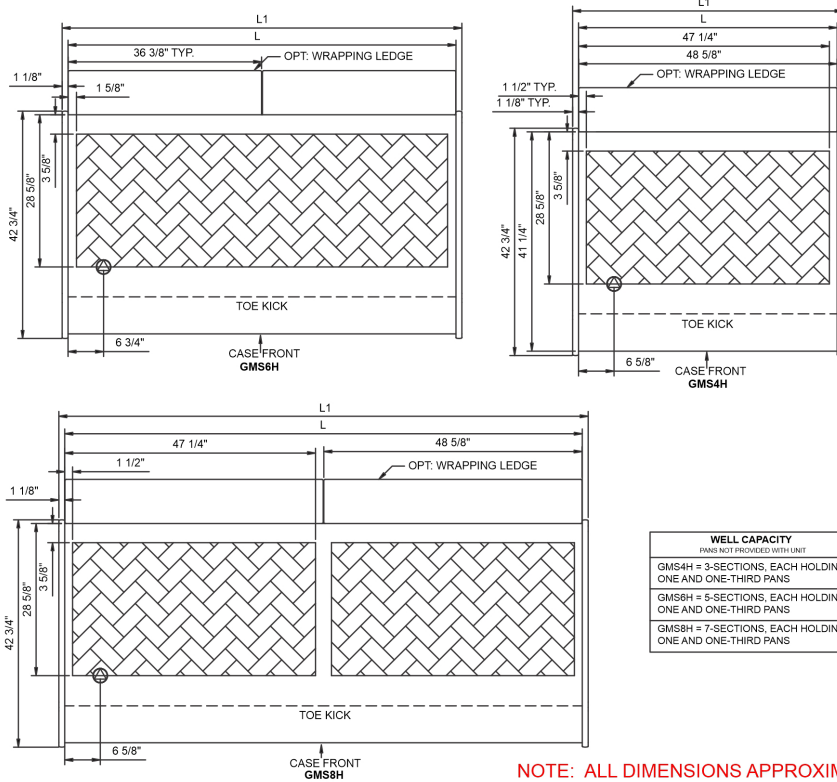
Specify	Standard Features	Additional Options
EXTERIOR COLOR	• Laminate (stock colors)	• Laminate (non-stock colors) • Laminate - Standard colors • Powder coated (stock/non-stock colors) • Powder coated Silversan Black • Stainless steel
INTERIOR COLOR	• Stainless steel	
LOWER FRONT PANEL COLOR	• Powder coated Silversan Black	• Powder coated (stock/non-stock colors) • Stainless steel
BASE SUPPORT	• Rail system for shims	
BUMPER FRONT	• 1" Boston bumper (specify color)	• 1" Stainless steel plate rail bumper
DISPLAY	• 4"D Full pan with rear 1/3rd pan	
END PANELS	• Full w/stainless steel mirror interior	• Cutaway w/glass
FRONT GLASS	• Curved	• Flat angled
SCALE STAND	• None	• Scale stand w/ receptacle & CAT5 (specify location) • Scale stand w/ receptacle (specify location)
REAR DOORS	• Clear glass rear sliding doors	• Reflective glass rear sliding doors
MISCELLANEOUS		• Front glass lock • Rear door lock
ACCESSORIES		• Rear wrapping board, white Sanalite®

Option Notes: 1 - Separate circuit required

Intended Environment: Type I - Designed to operate in ambient conditions of 75°F with 55% relative humidity unless noted otherwise in system information below.		
Zone	Intended Product To Be Displayed	Warmest Avg Prod Temp ° F
1	Unpackaged heated product	160

PLAN VIEW

SIDE VIEW



WELL CAPACITY	
PANS NOT PROVIDED WITH UNIT	
GMS4H = 3-SECTIONS, EACH HOLDING ONE AND ONE-THIRD PANS	
GMS6H = 5-SECTIONS, EACH HOLDING ONE AND ONE-THIRD PANS	
GMS8H = 7-SECTIONS, EACH HOLDING ONE AND ONE-THIRD PANS	

NOTE: ALL DIMENSIONS APPROXIMATE

- ELECTRICAL JUNCTION BOX**
(SUPPLIED WITH 6" LEADS OR POWER CORD).
- REFRIGERATION LINE CONNECTION.**
- SELF-CONTAINED CASE SERVICE ACCESS AREA.**
- LOCATION OF DRAIN TUBE FOR REMOTE REF. ONLY** (SUPPLIED WITH 3/4" OR 1 1/2" PVC TUBE).
- REMOTE FLOOR SINK & UTILITIES ACCESS AREA.**
- DRY CASE SERVICE ACCESS AREA.**

Model Technical Specifications																
Model	L"	L1"	L2"	System	Circuit	System Circuit Volts				Watts	Wires	NEMA Plug	SST	Conv. Rack BTUH	Para. Rack BTUH	Est Wt
						Phs	Freq	Amps ***	Watts							
GMS4H	48.75	51.00	.00	Heat (N/A)	Circuit #1	208	1	50-60	11.83	2,491	2+G	Leads Single	N/A	N/A	N/A	800
						240	1	50-60	13.60	3,289	2+G	Leads Single	N/A	N/A	N/A	
						208	3	50-60	7.97	2,491	3+G	Leads Single	N/A	N/A	N/A	
						240	3	50-60	9.15	3,289	3+G	Leads Single	N/A	N/A	N/A	
GMS6H	73.13	75.38	.00	Heat (N/A)	Circuit #1	208	1	50-60	19.65	4,162	2+G	Leads Single	N/A	N/A	N/A	1,350
						240	1	50-60	22.60	5,493	2+G	Leads Single	N/A	N/A	N/A	
						208	3	50-60	15.44	4,162	3+G	Leads Single	N/A	N/A	N/A	
						240	3	50-60	17.80	5,493	3+G	Leads Single	N/A	N/A	N/A	
GMS8H	97.50	99.75	.00	Heat (N/A)	Circuit #1	208	1	50-60	27.42	5,881	2+G	Leads Single	N/A	N/A	N/A	1,450
						240	1	50-60	31.55	7,745	2+G	Leads Single	N/A	N/A	N/A	
						208	3	50-60	27.42	5,881	3+G	Leads Single	N/A	N/A	N/A	
						240	3	50-60	31.55	7,745	3+G	Leads Single	N/A	N/A	N/A	

*** Does not include electric defrost on freezer models.

Regulatory Approvals:

All Models ETL Listed to UL 197
ETL Listed to CAN/CSA 22.2 No. 109
UL Sanitation to NSF Std 4



Important Notes:

- 1) Designed for dry heat.
- 2) Each well accommodates up to 4"D pans (not provided).
- 3) Units must be shimmed during installation to ensure the unit is level and plumb.

⚠ WARNING: This product can expose you to chemicals, including Urethane (Ethyl Carbamate), which are known to the State of California to cause cancer and birth defects or other reproductive harm. For more information go to www.P65Warnings.ca.gov.