

T&S BRASS AND BRONZE WORKS, INC.

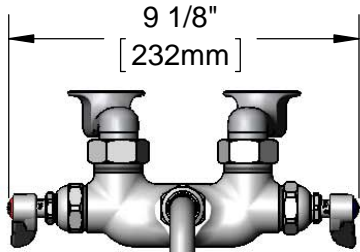
2 Saddleback Cove / P.O. Box 1088
Travelers Rest, SC 29690

Model No.

B-0239

Item No.

Travelers Rest, SC: 800-476-4103 • Simi Valley, CA: 800-423-0150 • Fax: 864-834-3518 • www.tsbrass.com



9 1/8"
[232mm]



ADA Compliant

This Space for Architect/Engineer Approval

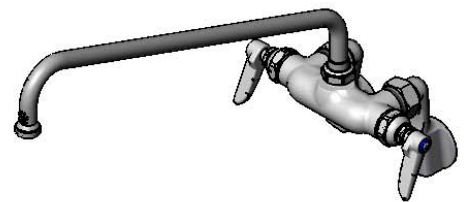
Job Name _____ Date _____

Model Specified _____ Quantity _____

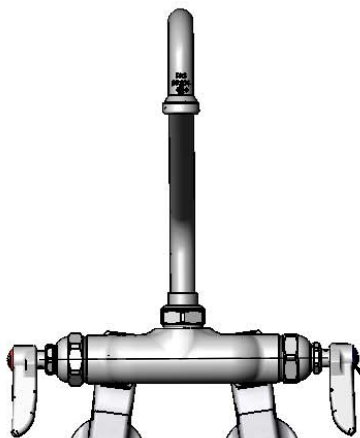
Customer/Wholesaler _____

Contractor _____

Architect/Engineer _____



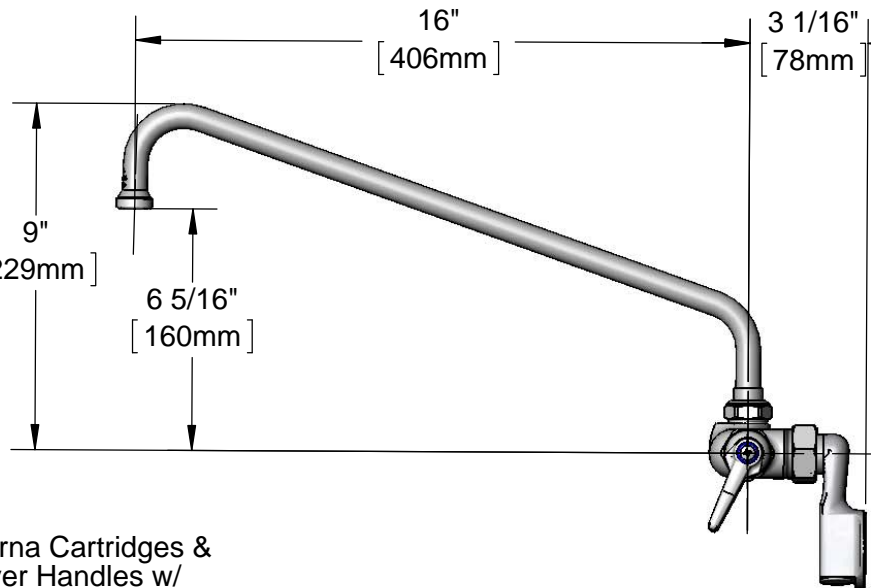
064X
16" Swing Nozzle w/
Stream Regulator Outlet



Adjustable
from
2 1/4" to 8 1/4"
[57mm to 210mm]
Above or Below Centerline

Eterna Cartridges &
Lever Handles w/
Color Coded Indexes

Ø 2" [51mm]
Wall Flange w/
1/2" NPT
Female Inlets



9"
[229mm]

6 5/16"
[160mm]

16"
[406mm]

3 1/16"
[78mm]

Product Specifications:
Combination Sink Faucet, Eterna Cartridges, 16" Swivel Nozzle
w/ Stream Regulator Outlet, Lever Handles & Adjustable Inlets

Product Compliance:
ASME A112.18.1 / CSA B125.1
NSF 61 - Section 9
NSF 372 (Low Lead Content)
ANSI A117.1 (ADA)



T&S BRASS AND BRONZE WORKS, INC.

2 Saddleback Cove / P.O. Box 1088
Travelers Rest, SC 29690

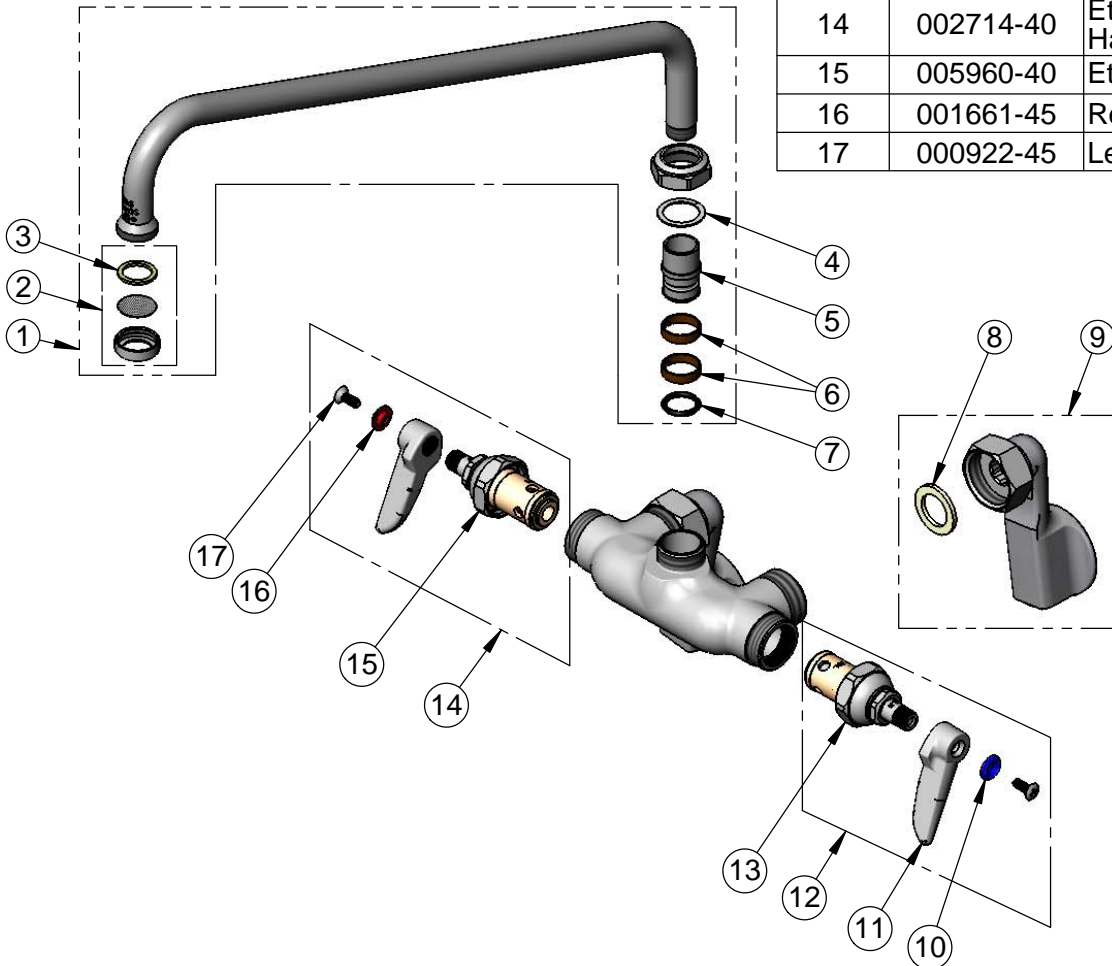
Model No.

B-0239

Item No.

Travelers Rest, SC: 800-476-4103 • Simi Valley, CA: 800-423-0150 • Fax: 864-834-3518 • www.tsbrass.com

ITEM NO.	SALES NO.	DESCRIPTION
1	064X	16" Swing Nozzle Assembly
2	B-PT	Stream Regulator Outlet
3	001048-45	Nozzle Tip Washer
4	009538-45	Swivel Washer
5	011430-25	Swivel Piece
6	011429-45	Swivel Sleeves (2)
7	001074-45	O-Ring
8	001019-45	Coupling Nut Washer
9	00GG	1/2" NPT Female Adjustable Flange
10	001660-45	Blue Index-CW
11	001638-45	Lever Handle
12	002713-40	Eterna Cartridge, LTC w/ Handle, Index & Screw
13	005959-40	Eterna Cartridge, LTC
14	002714-40	Eterna Cartridge, RTC w/ Handle, Index & Screw
15	005960-40	Eterna Cartridge, RTC
16	001661-45	Red Index-HW
17	000922-45	Lever Handle Screw



Product Specifications:

Combination Sink Faucet, Eterna Cartridges, 16" Swivel Nozzle w/ Stream Regulator Outlet, Lever Handles & Adjustable Inlets

Product Compliance:

ASME A112.18.1 / CSA B125.1
NSF 61 - Section 9
NSF 372 (Low Lead Content)
ANSI A117.1 (ADA)