

# Fusion

GMDSV 52"H Dry Service Case

**Structural Concepts®**

DELIVERING FRESH. ALWAYS.™

• GMDSV4D

51"L x 43"D x 51-5/8"H

## Included

- LED top & shelf lights
- Non-refrigerated for ambient display
- One year parts & labor warranty
- Stainless steel rear exterior
- Vertical, UV bonded lift-up front glass w/o lock

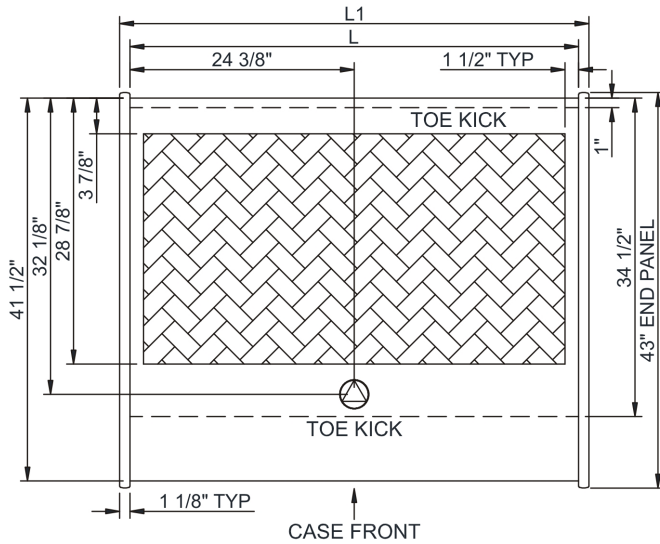


GMDSV4D

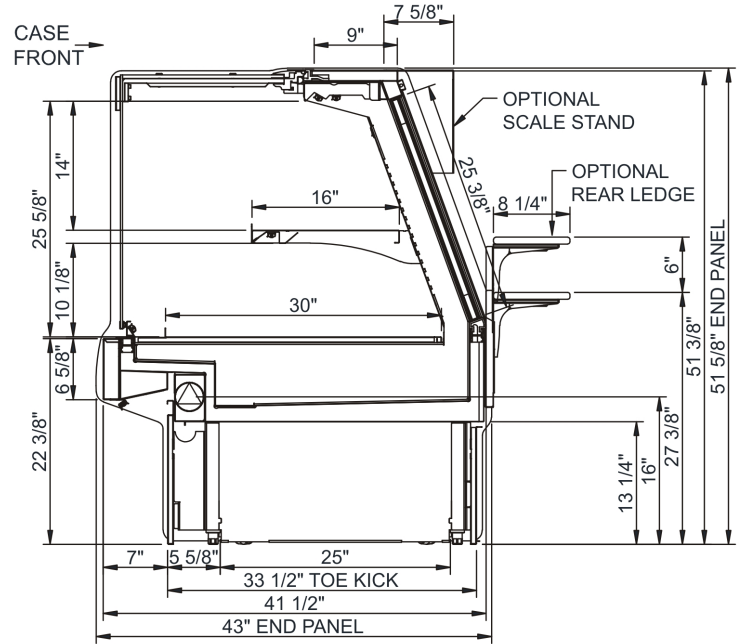
Specify	Standard Features	Additional Options
<b>EXTERIOR COLOR</b>	• Laminate (stock colors)	• Laminate (non-stock colors) • Powder coated (stock/non-stock colors) • Powder coated Silversan Black • Stainless steel
<b>INTERIOR COLOR</b>	• Powder coated Silversan Black	• Stainless steel
<b>LOWER FRONT PANEL COLOR</b>	• Powder coated Silversan Black	• Powder coated (stock/non-stock colors) • Stainless steel
<b>BASE SUPPORT</b>	• Rail system for shims	
<b>BUMPER FRONT</b>	• 1" Boston bumper (specify color)	• 1" Stainless steel plate rail bumper
<b>END PANELS</b>	• Full w/stainless steel mirror interior	• Cutaway w/glass • None (specify per line-up)
<b>PRICE TAG MOLDING</b>	• None	• 1" Price tag molding (black or silver) • Universal price tag molding (clear w/ open top)
<b>REAR DOORS</b>	• Clear glass rear sliding doors	• Reflective glass rear sliding doors
<b>SHELVING</b>	• 16" Solid shelf	• 14" & 16" Glass shelving • 14" & 16" Solid shelving • 16" Glass shelf
<b>LIGHTS</b>	• LED 3500K w/ frosted lens	• LED 4000K w/ frosted lens • LED nose light
<b>ELECTRICAL CONNECTION</b>	• Electrical leads	
<b>MISCELLANEOUS</b>		• Front glass lock • Rear door lock
<b>ACCESSORIES</b>		• 2"H Full depth display risers (n/a w/shelf) • Rear wrapping board, white Sanalite®

<b>Intended Environment:</b> Type I - Designed to operate in ambient conditions of 75°F with 55% relative humidity unless noted otherwise in system information below.		
<b>Zone</b>	<b>Intended Product To Be Displayed</b>	<b>Warmest Avg Prod Temp ° F</b>
1	Unpackaged non-refrigerated products	Ambient



**PLAN VIEW**



**SIDE VIEW**



**NOTE: ALL DIMENSIONS APPROXIMATE**

-  **ELECTRICAL JUNCTION BOX**  
(SUPPLIED WITH 6" LEADS OR POWER CORD).
-  **LOCATION OF DRAIN TUBE FOR REMOTE REF.**  
ONLY (SUPPLIED WITH 3/4" OR 1 1/2" PVC TUBE).

-  **REFRIGERATION LINE CONNECTION.**
-  **REMOTE FLOOR SINK & UTILITIES**  
ACCESS AREA.

-  **SELF-CONTAINED CASE SERVICE ACCESS AREA.**
-  **DRY CASE SERVICE ACCESS AREA.**

Model Technical Specifications																
Model	L"	L1"	L2"	System Circuit Volts	Circuit #1	Phs	Freq	Amps ***	Watts	Wires	NEMA Plug	SST	Conv. Rack BTUH	Para. Rack BTUH	Est Wt	
GMDSV4D	48.75	51.00	.00	Ambient/Lights (N/A)		1	60	0.70	30	2+G	5-15P or L5-15P	N/A	N/A	N/A	850	

\*\*\* Does not include electric defrost on freezer models.

**Regulatory Approvals:**

All Models	ETL Listed to UL 65 ETL Sanitation to NSF/ANSI 2
------------	---



**Important Notes:**

- 1) ELECTRICAL NOTE: If GFCI is required, a GFCI breaker MUST be used in lieu of a GFCI receptacle
- 2) 45" minimum door entry clearance required (without shipping skid).
- 3) Units must be shimmed during installation to ensure the unit is level and plumb.

**⚠ WARNING:** This product can expose you to chemicals, including Urethane (Ethyl Carbamate), which are known to the State of California to cause cancer and birth defects or other reproductive harm. For more information go to [www.P65Warnings.ca.gov](http://www.P65Warnings.ca.gov).