

### "CHY-CUCR" AMERICAN HERITAGE COLLECTION *Rustica Table - 4" Thick End Grain Top*

#### FEATURES:

- American Cherry
- End Grain Construction
- Dovetailed Utensil Drawers
  - 30" Length: 1 Drawer
  - 48" Length: 2 Drawers
- Base Color Options Available
- Boos Block Cream With Beeswax Finish
- Shipped Knocked Down For Easy Assembly

#### CERTIFICATIONS:



NHLA



CHY-CUCR05-AL

#### COLOR BASE OPTIONS



ALABASTER  
(-AL)



CAVIAR BLACK  
(-BK)



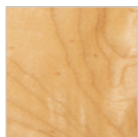
SLATE GRAY  
(-SG)



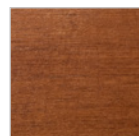
BARN RED  
(-BN)



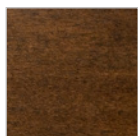
BASIL  
(-BS)



NATURAL MAPLE  
(-N)



WARM CHERRY  
STAIN (-CR)



WALNUT STAIN  
(-WT)



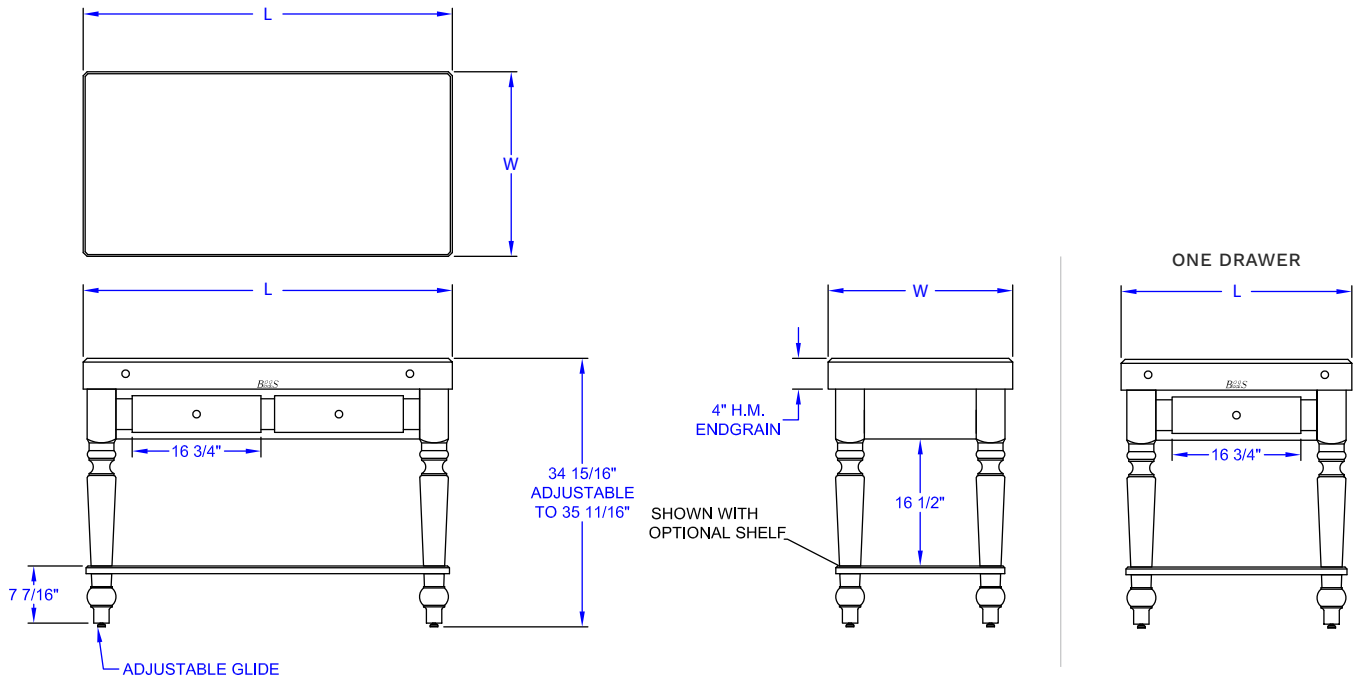
USEFUL GRAY  
STAIN (-UG)

#### "CHY-CUCR" RUSTICA TABLE

MODEL	DESCRIPTION	TOP SIZE (L X W X H)	OVERALL HEIGHT	WT. (LBS)
CHY-CUCR04	No Shelf, 1 Drawer	30"x24"x4"	34-1/2"	112
CHY-CUCR05	No Shelf, 2 Drawers	48"x24"x4"	34-1/2"	139
CHY-CUCR04-SHF	With Lower Shelf, 1 Drawer	30"x24"x4"	34-1/2"	131
CHY-CUCR05-SHF	With Lower Shelf, 2 Drawers	48"x24"x4"	34-1/2"	163

ALL DIMENSIONS ARE TYPICAL. TOLERANCE +/- .500". JOHN BOOS & CO. RESERVES THE RIGHT TO CHANGE SPECIFICATIONS WITHOUT NOTICE.

# DETAILED SPECIFICATIONS



## "CHY-CUCR" RUSTICA TABLE

MODEL	DESCRIPTION	TOP SIZE (L X W X H)	OVERALL HEIGHT	WT. (LBS)
CHY-CUCR04	No Shelf, 1 Drawer	30"x24"x4"	34-1/2"	112
CHY-CUCR05	No Shelf, 2 Drawers	48"x24"x4"	34-1/2"	139
CHY-CUCR04-SHF	With Lower Shelf, 1 Drawer	30"x24"x4"	34-1/2"	131
CHY-CUCR05-SHF	With Lower Shelf, 2 Drawers	48"x24"x4"	34-1/2"	163

ALL DIMENSIONS ARE TYPICAL. TOLERANCE +/- .500". JOHN BOOS & CO. RESERVES THE RIGHT TO CHANGE SPECIFICATIONS WITHOUT NOTICE.