

APPLICATION:

PRODUCT NAME:
HANDLE WRIST BRS POL CR KIT

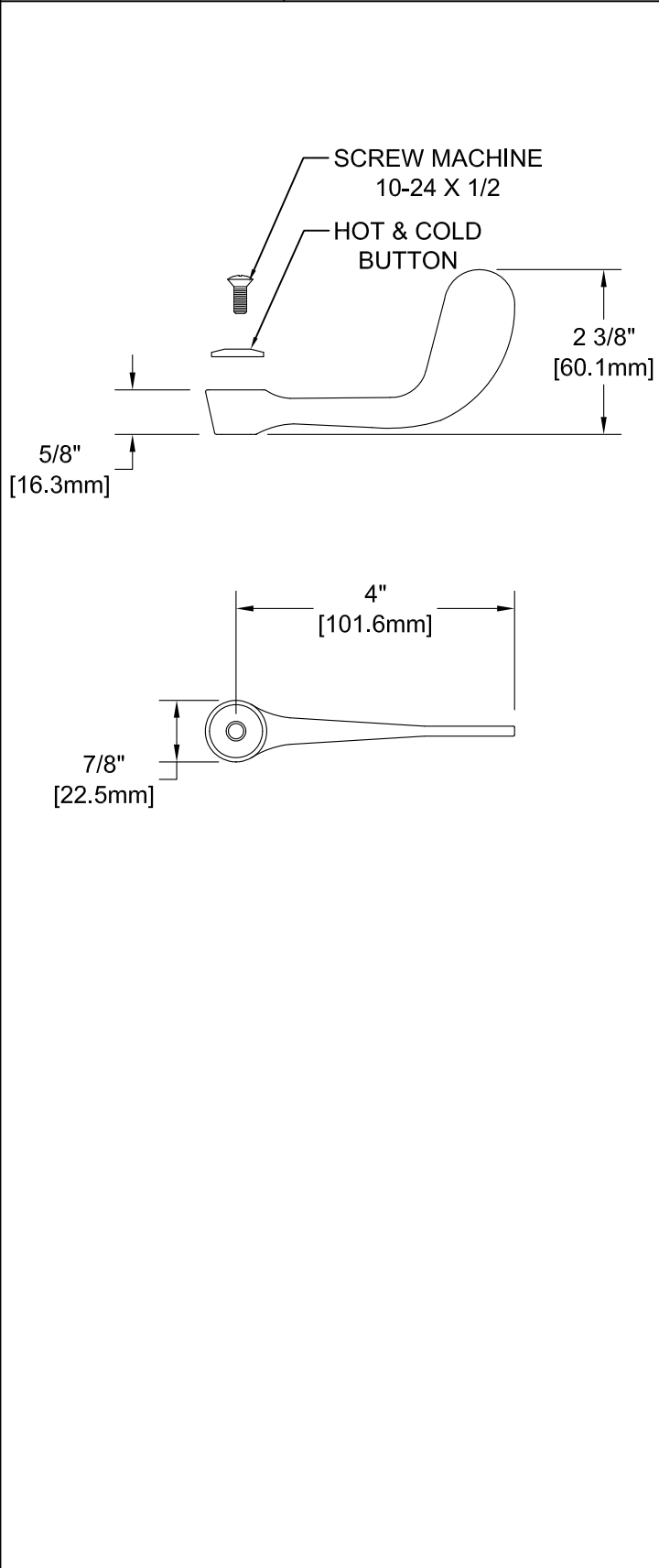
JOB NAME:

MODEL:

QUANTITY:

ITEM NO.:

3984 HANDLE WRIST BRS POL CR KIT



OPTIONS OR MODIFICATIONS:
 OTHER _____

FEATURES:
* 4" FROM CENTER TO EDGE
* CHROME PLATED
* INTERCHANGEABLE WITH FISHER CROSS AND LEVER HANDLES

SHIPPING WEIGHT
* 0.25 LBS



FISHER MANUFACTURING COMPANY
TOLL FREE: 800-421-6162 - FAX: 800-832-8238
information@fisher-mfg.com - www.fisher-mfg.com