

Remote MAX Open Merchandisers - Packaged Meat 35E Series – 78.5" Height – Endless Design



**R-OM35E-4-LB-B
ARTIST RENDERING**

STANDARD FEATURES

- **NEW** Lower Base, Maximizes Display Space
- REMOTE ONLY
- Black, exterior & interior
- Heavy gauge steel super structure
- Multi deck
- Endless design
- 1" bumper
- 16" Straight plexi end panels
- LED lighting
- Full length lighting at top of unit
- 4 rows of lighted shelving
- 5 levels of product display
- Price tag molding on each shelf
- UL/CUL listed

OPTIONAL FEATURES

- Night covers
- Condensate Pan and Pump Kit
- Digital Thermometer

Remote Model No.	Description	Length	Depth	Height	Voltage	Amps	BTUs	Power Cord	Est. Ship Weight
R-OM35E-4-LB-B	Remote	51.00"	34.50"	78.50"	115	3.0	7238	NO	831
R-OM35E-6-LB-B	Remote	75.00"	34.50"	78.50"	115	4.0	10,813	NO	1040
R-OM35E-8-LB-B	Remote	99.00"	34.50"	78.50"	115	4.0	14100	NO	1580

MODEL NUMBER PREFIX: R = Remote

MODEL NUMBER SUFFIX: B = Black, S = Stainless Steel

- Cases are designed to operate at 75 degrees Fahrenheit and 55% relative humidity
- Cases are equipped with drains; check your local building codes for connection requirements.
- Specification subject to change without notice



Standard Specifications and Optional Features

CONSTRUCTION

- UL Classified to ANSI/NSF 7
- Foamed in place CFC free foam
- Heavy gauge steel super structure
- Multi deck
- Endless design allows for continuous line up

INTERIOR

- Black end panels
- Removable black floor pans
- Black perforated rear wall (for even air distribution)
- Full length lighting at top of unit
- 4 levels of lighted shelving
- 5 levels of product display
- Stylish price tag molding on each shelf

EXTERIOR

- Black ends and front finish
- 1" bumper
- Straight side end panels with 16" plexiglass

LIGHTING

- 1 row at inside top of unit
- 4 rows of lighted shelving

ELECTRICAL REQUIREMENTS

- UL/CUL listed
- See Tech page for details on voltage

REFRIGERATION

- Remote; R448A expansion valve system
- Low velocity fans located below deck area (to insure even flow of air)
- Solenoid valve
- New high efficiency air screen technology

OPTIONAL FEATURES

- Night covers
- Product stops on shelving
- Digital thermometer
- Condensate pan and pump kit

Technical Data

Model No.		R-OM35E-4-LB-LED	R-OM35E-6-LB-LED	R-OM35E-8-LB-LED
Length with (2) ends		51"	75"	99"
Length without ends		48"	72"	96"
Height with ends		78.5"	78.5"	78.5"
Height without ends		78"	78"	78"
Depth with ends		34.5"	34.5"	34.5"
Depth without ends		34.25"	34.25"	34.25"
Endless design (Dimensions are +/- 1/4")		YES	YES	YES
Operating temperature		36°F to 40°F	36°F to 40°F	36°F to 40°F
Refrigerant (exp. valve)	R	R448A	R448A	R448A
Defrost per day (24 hours)	Air Defrost	6 per day	6 per day	6 per day
BTU's at +20°F Evap. Temp.	R	7238	10813	14100
Remote Voltage	R	115	115	115
Amperage, lights only	R	3.0	4.0	4.0
Cord and plug	R	No	No	No
Exterior color		BLACK	BLACK	BLACK
Interior color		BLACK	BLACK	BLACK
# of rows / shelves		4 / 4	4 / 8	4 / 8
Shelf Size		(4) 18"	(4) 18"	(8) 18"
Shipping Info				
Height		86"	86"	86"
Depth		44"	44"	44"
Length		61"	86"	109"
Gross weight R		831	1040	1580
Cubic feet		134	189	239

Important Note:

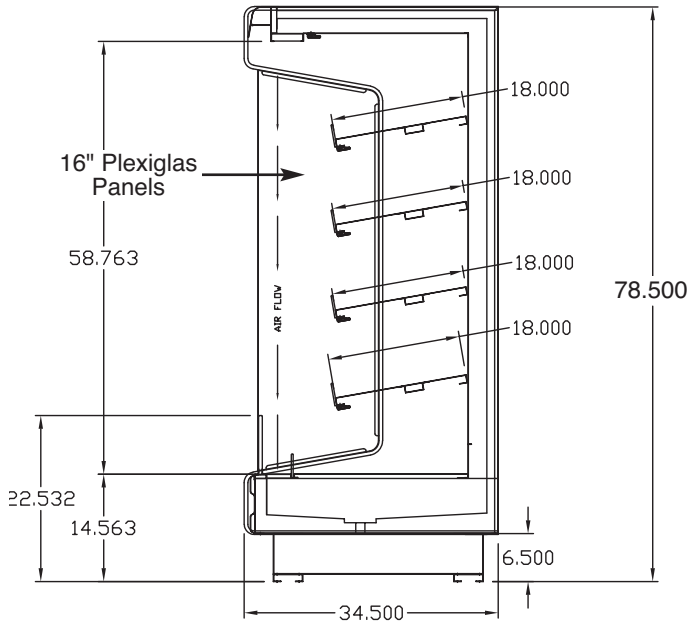
All refrigerated cases are designed to operate in an environment of 75 degrees and 55% relative humidity.

Product must be cooled before being displayed within the case.

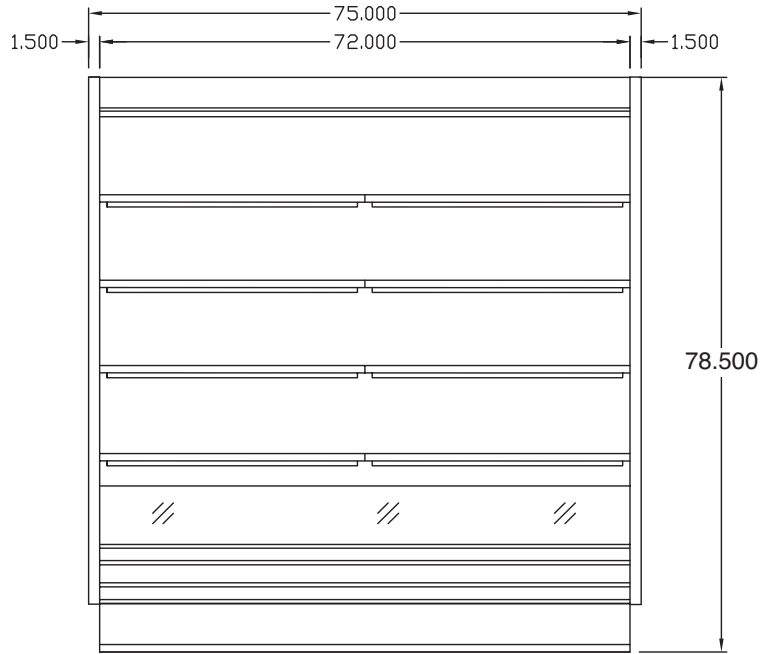
DRAIN IS REQUIRED



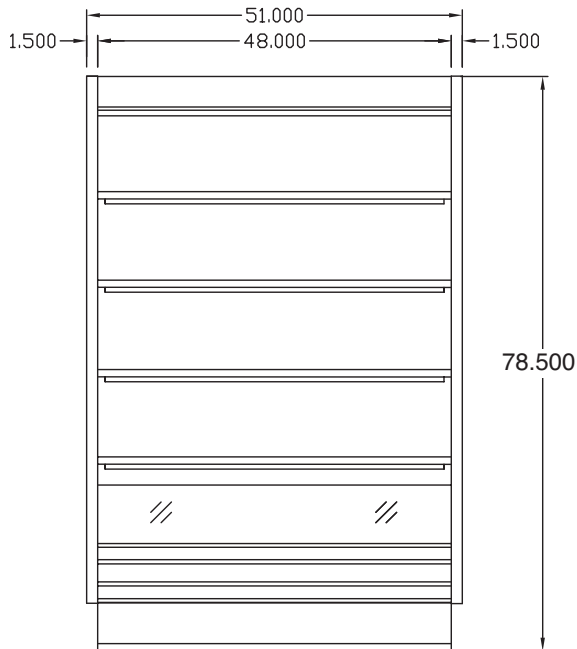
REMOTE Side View



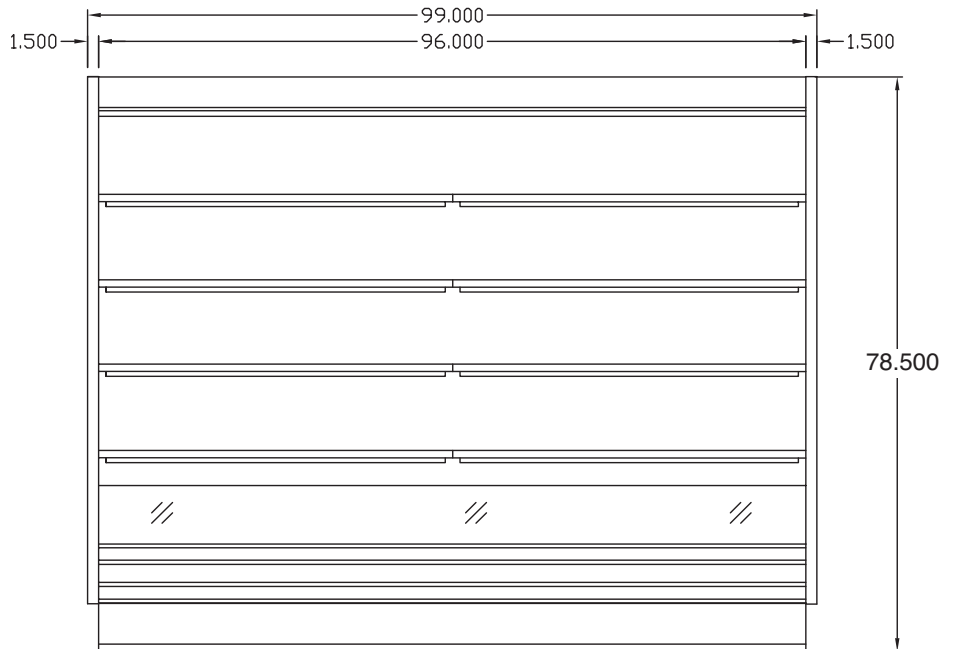
6' Front View



4' Front View

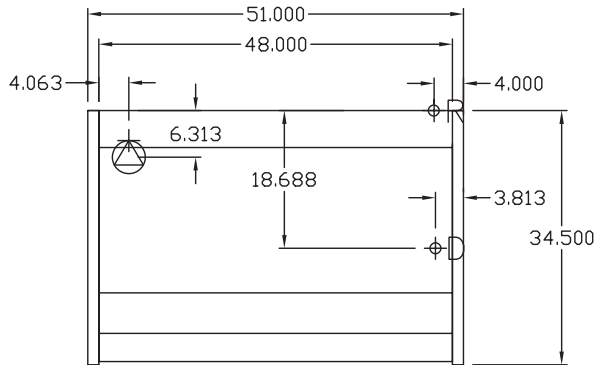


8' Front View

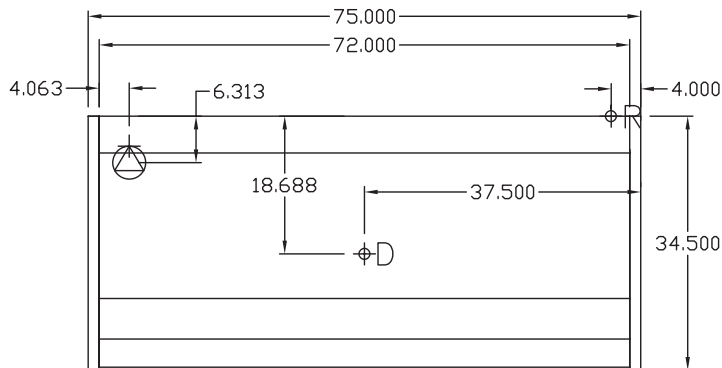


REMOTE Floor Plan Views

4' Plan View



6' Plan View



8' Plan View

