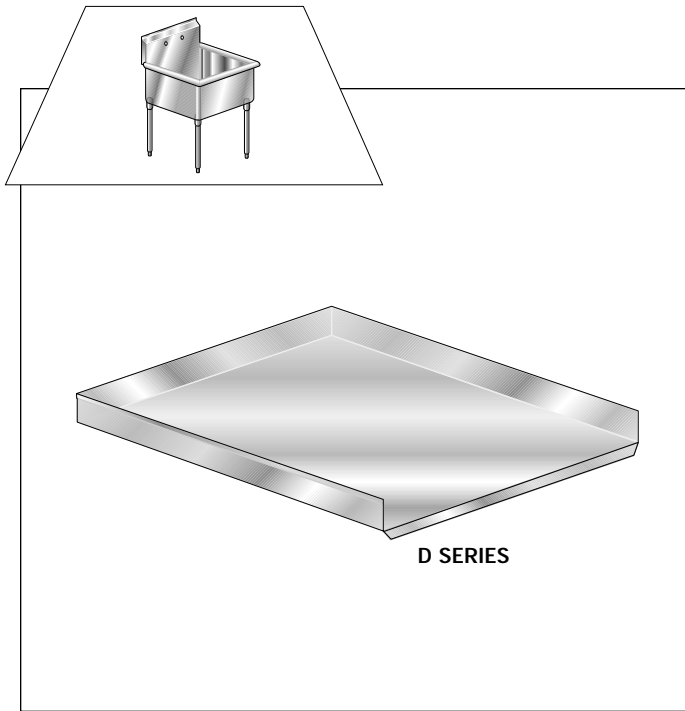




# NON-NSF DRAINBOARDS

D SERIES, Stainless Steel



Item# \_\_\_\_\_ Project \_\_\_\_\_

Quantity	ECONOMY 4D Model #	DELUX 3D Model #	PREMIUM 2D Model #
----------	--------------------------	------------------------	--------------------------

## 18" WIDE

_____	4D-1818	3D-1818	2D-1818
_____	4D-1824	3D-1824	2D-1824
_____	4D-1830	3D-1830	2D-1830
_____	4D-1836	3D-1836	2D-1836
_____	4D-1842	3D-1842	2D-1842
_____	4D-1848	3D-1848	2D-1848
_____	4D-1854	3D-1854	2D-1854

## 21" WIDE

_____	4D-2118	3D-2118	2D-2118
_____	4D-2124	3D-2124	2D-2124
_____	4D-2130	3D-2130	2D-2130
_____	4D-2136	3D-2136	2D-2136
_____	4D-2142	3D-2142	2D-2142
_____	4D-2148	3D-2148	2D-2148
_____	4D-2154	3D-2154	2D-2154

## 24" WIDE

_____	4D-2418	3D-2418	2D-2418
_____	4D-2424	3D-2424	2D-2424
_____	4D-2430	3D-2430	2D-2430
_____	4D-2436	3D-2436	2D-2436
_____	4D-2442	3D-2442	2D-2442
_____	4D-2448	3D-2448	2D-2448
_____	4D-2454	3D-2454	2D-2454

## 30" WIDE

_____	4D-3018	3D-3018	2D-3018
_____	4D-3024	3D-3024	2D-3024
_____	4D-3030	3D-3030	2D-3030
_____	4D-3036	3D-3036	2D-3036
_____	4D-3042	3D-3042	2D-3042
_____	4D-3048	3D-3048	2D-3048
_____	4D-3054	3D-3054	2D-3054

### MATERIAL

#### BODY

- 4D-16 gauge 430 stainless steel.
- 3D-16 gauge 304 stainless steel.
- 2D-14 gauge 304 stainless steel.

### DESIGN FEATURES

- All drainboards are fully cartoned.
- Easily assembled.
- 3" splash on three sides to prevent spillage.

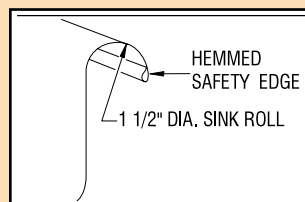
### EXCLUSIVE AERO SAFETY EDGE

- Hemmed on all exposed edges to eliminate cuts from rough edges.

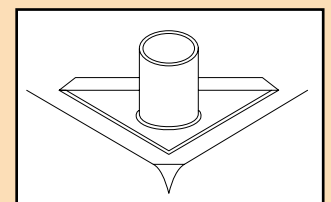
### CONSTRUCTION

- Heliarc welded for superior strength.
- Polished to a #4 blended finish.
- Two stainless steel support brackets included on all drainboards up to 30".
- Two 16 gauge stainless steel 1 1/2" O.D. tubing with 1" white metal bullet feet included on all drainboards 30" or longer.

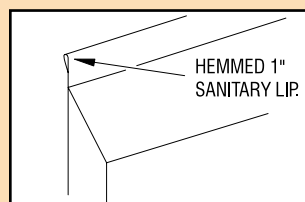
## CUSTOM SIZES AVAILABLE



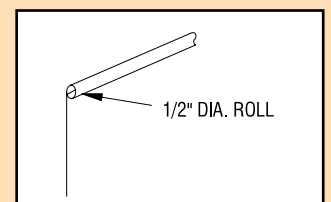
Exclusive Aero Safety Edge



Fully Welded Gusset Assembly



1" Sanitary Lip



1/2" Roll for Extra Rigidity

## FABRICATED QUALITY AT AN ECONOMY PRICE

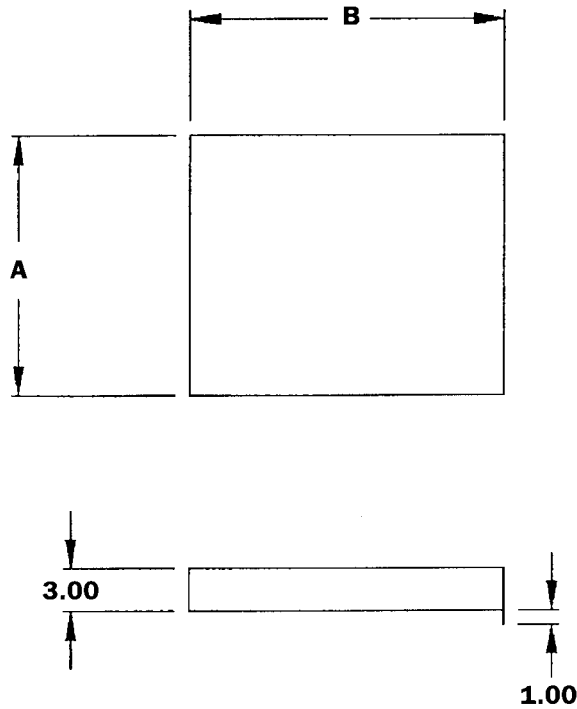
email - sales@aeromfg.com

AERO MANUFACTURING COMPANY • 310 ALLWOOD ROAD, CLIFTON, NEW JERSEY 07012 • VOICE 973.473.5300 FAX 973.473.3794



# DIMENSIONAL SPECIFICATIONS

## D SERIES, NON-NSF Drainboards



A Width	B Length	ECONOMY 4D Model #	DELUX 3D Model #	PREMIUM 2D Model #	Ship Weight	Cubic Feet
<b>18" WIDE</b>						
18	18	4D-1818	3D-1818	2D-1818	7	1
18	24	4D-1824	3D-1824	2D-1824	10	1
18	30	4D-1830	3D-1830	2D-1830	14	2
18	36	4D-1836	3D-1836	2D-1836	18	2
18	42	4D-1842	3D-1842	2D-1842	23	2
18	48	4D-1848	3D-1848	2D-1848	28	3
18	54	4D-1854	3D-1854	2D-1854	32	3

<b>21" WIDE</b>						
21	18	4D-2118	3D-2118	2D-2118	8	1
21	24	4D-2124	3D-2124	2D-2124	11	1
21	30	4D-2130	3D-2130	2D-2130	15	2
21	36	4D-2136	3D-2136	2D-2136	19	2
21	42	4D-2142	3D-2142	2D-2142	24	3
21	48	4D-2148	3D-2148	2D-2148	29	3
21	54	4D-2154	3D-2154	2D-2154	33	3

<b>24" WIDE</b>						
24	18	4D-2418	3D-2418	2D-2418	9	1
24	24	4D-2424	3D-2424	2D-2424	12	2
24	30	4D-2430	3D-2430	2D-2430	16	2
24	36	4D-2436	3D-2436	2D-2436	20	3
24	42	4D-2442	3D-2442	2D-2442	25	3
24	48	4D-2448	3D-2448	2D-2448	30	3
24	54	4D-2454	3D-2454	2D-2454	34	4

<b>30" WIDE</b>						
30	18	4D-3018	3D-3018	2D-3018	11	2
30	24	4D-3024	3D-3024	2D-3024	14	2
30	30	4D-3030	3D-3030	2D-3030	18	3
30	36	4D-3036	3D-3036	2D-3036	22	3
30	42	4D-3042	3D-3042	2D-3042	27	4
30	48	4D-3048	3D-3048	2D-3048	32	4
30	54	4D-3054	3D-3054	2D-3054	36	5

All dimensions are typical (tol.  $\pm\frac{1}{8}$ ). • For Accessories and Options see pages FS-7A, FS-7B.

email - sales@aeromfg.com

AERO MANUFACTURING COMPANY • 310 ALLWOOD ROAD, CLIFTON, NEW JERSEY 07012 • VOICE 973.473.5300 FAX 973.473.3794