



**T&S BRASS AND BRONZE WORKS, INC.**

2 Saddleback Cove / P.O. Box 1088  
Travelers Rest, SC 29690

Model No.

**B-2731-VF05**

Item No.

Travelers Rest, SC: 800-476-4103 • Simi Valley, CA: 800-423-0150 • Fax: 864-834-3518 • www.tsbrass.com

This Space for Architect/Engineer Approval

Job Name \_\_\_\_\_ Date \_\_\_\_\_

Model Specified \_\_\_\_\_ Quantity \_\_\_\_\_

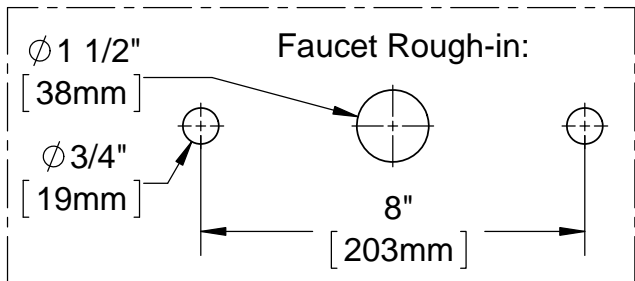
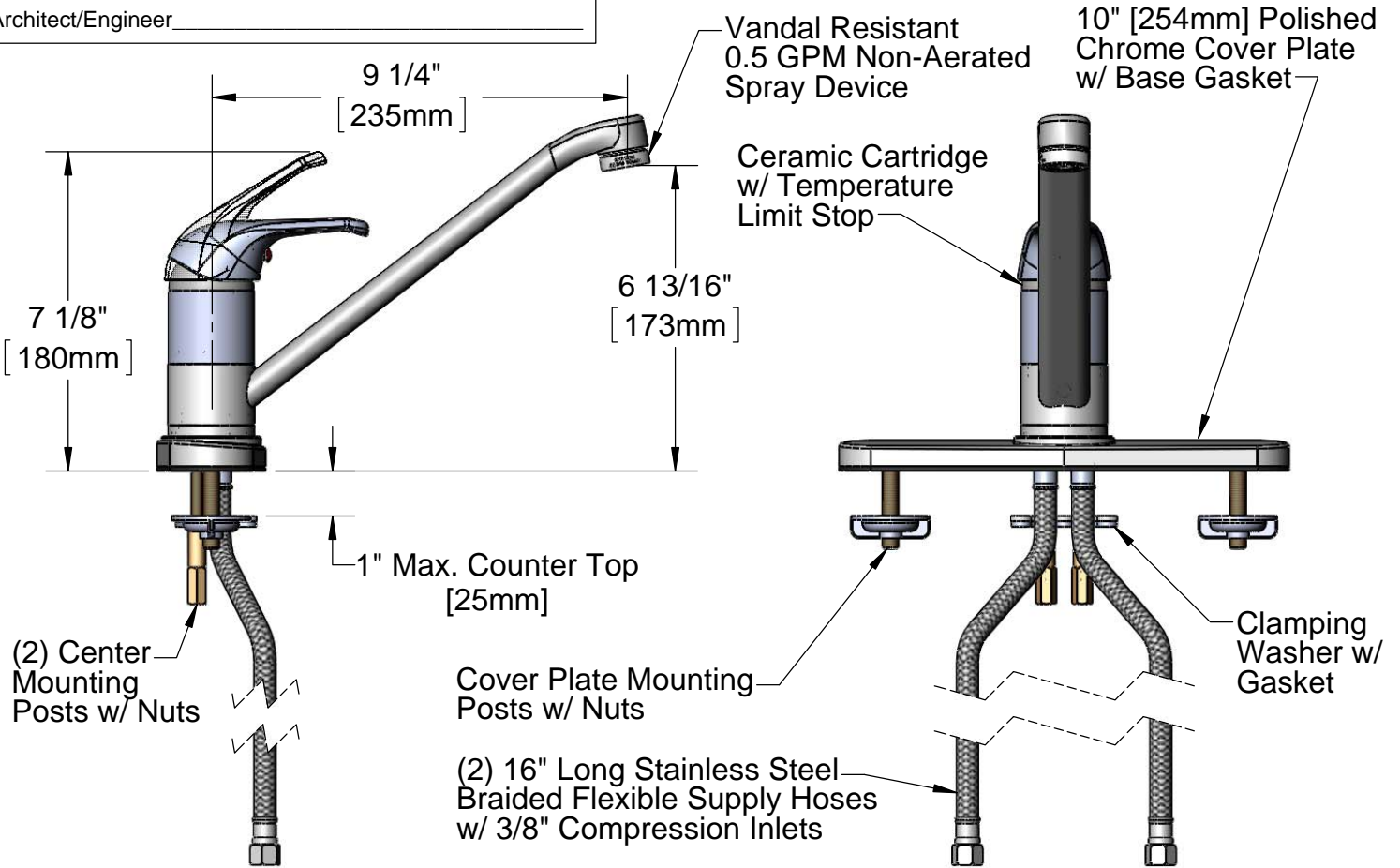
Customer/Wholesaler \_\_\_\_\_

Contractor \_\_\_\_\_

Architect/Engineer \_\_\_\_\_



**ADA Compliant**



Product Specifications:

Single Lever Deck Mount Faucet w/ 9" Swivel Spout, 0.5 GPM Vandal Resistant Non-Aerated Spray Device, Flexible Supplies, 10" Deckplate, Ceramic Cartridge & Temperature Limit Stop

Drawn

**DMH**

Checked

**KJG**

Approved

**JHB**

Scale:

**1:4**

Date:

**02/24/12**



# T&S BRASS AND BRONZE WORKS, INC.

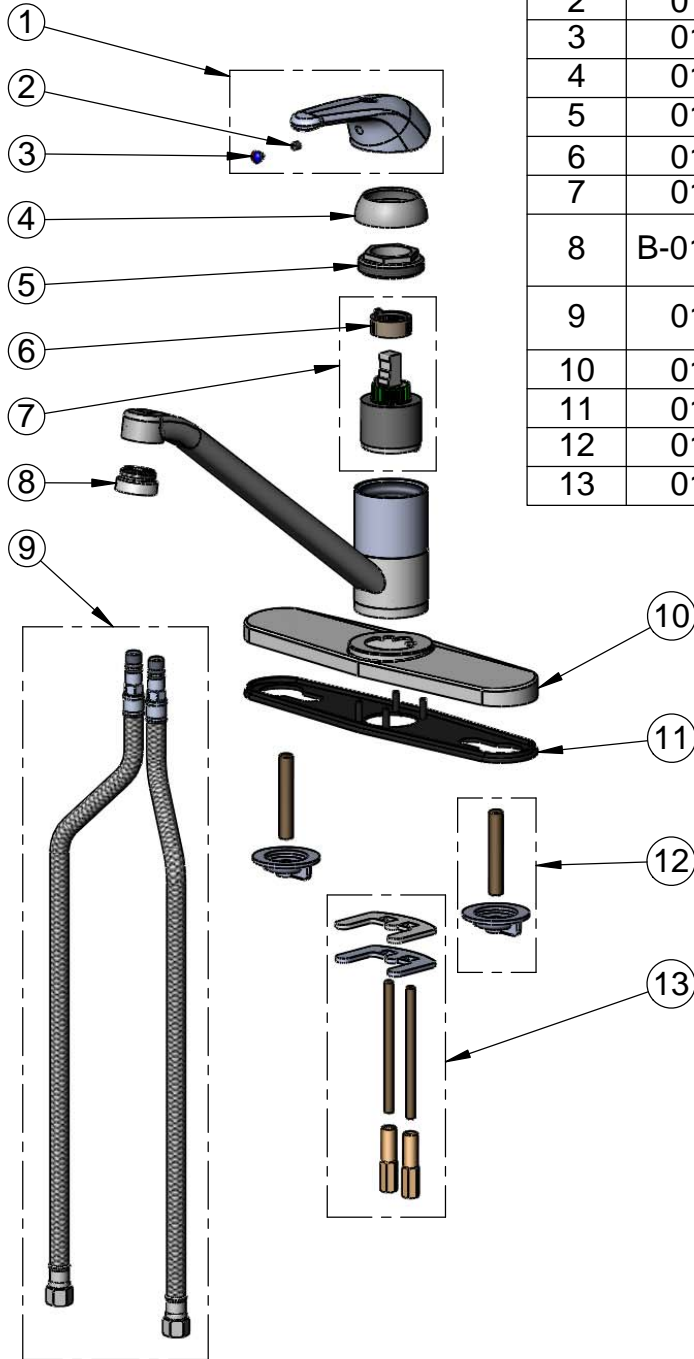
2 Saddleback Cove / P.O. Box 1088  
Travelers Rest, SC 29690

Model No.

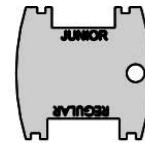
**B-2731-VF05**

Item No.

Travelers Rest, SC: 800-476-4103 • Simi Valley, CA: 800-423-0150 • Fax: 864-834-3518 • www.tsbrass.com



ITEM NO.	SALES NO.	DESCRIPTION
1	013113-45	Handle, Single Lever
2	016675-45	Set Screw
3	014173-45	Index, Temperature
4	016661-45	Trim Ring
5	016663-45	Locking Nut
6	015400-45	Limit Switch
7	013080-45	Cartridge, B-2730 & B-2731
8	B-0199-09-N05	0.5 GPM VR Non-Aerated Spray Device
9	016879-45	Supply Hoses (2). 3/8" Compression Inlet, 16" Long
10	014161-45	Deck Plate, B-2730 & B-2731
11	014160-45	Deck Plate Gasket, B-2730 & B-2731
12	014162-45	Mounting Post & Nut Kit (Set Of 2)
13	014163-45	Center Mounting Kit



015425-45  
Vandal Resistant  
Aerator Key

**Product Specifications:**

Single Lever Deck Mount Faucet w/ 9" Swivel Spout, 0.5 GPM Vandal Resistant Non-Aerated Spray Device, Flexible Supplies, 10" Deckplate, Ceramic Cartridge & Temperature Limit Stop

Drawn

**DMH**

Checked

**KJG**

Approved

**JHB**

Scale:

**NTS**

Date:

**02/24/12**