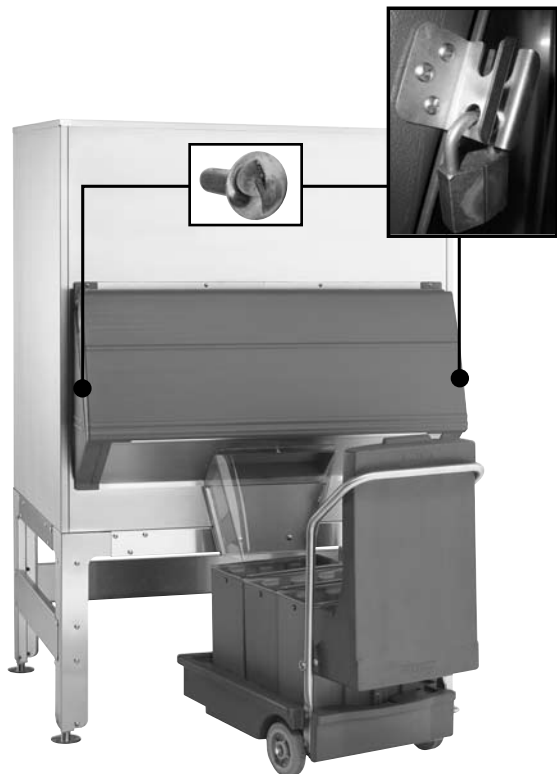


Correctional package for upright ice storage bins and Ice•Devlce™ ice dispensing bins



SmartGATE® upright ice storage bins and Ice•Devlce ice dispensing bins and cart systems with correctional package accessory provides safety, security, and tamper-resistance. Correctional package includes lockable hasps, tamper resistant screws, and the elimination of the inspection window.

Designed for prisons and other facilities where security is a must

- Inspection window found in standard Follett bins is eliminated restricting access to ice
- Lockable hasps are attached to both ends of access door assembly further restricting access to ice
- Tamper resistant screws used to attach access door to body of bin to make it difficult to remove access door without a specialized tool
- Lock not included

Available for many Follett bin models

- Correctional package accessory number for all SmartGATE upright bins and Ice•Devlce ice dispensing bins (item# 00917054).
- Correctional package accessory does not change the overall dimension of the respective bins
- For specific bin specifications, refer to specification sheets for SmartGATE upright bins (form# 9140 & 9145) or Ice•Devlce ice dispensing bins (form# 9720 & 2320)

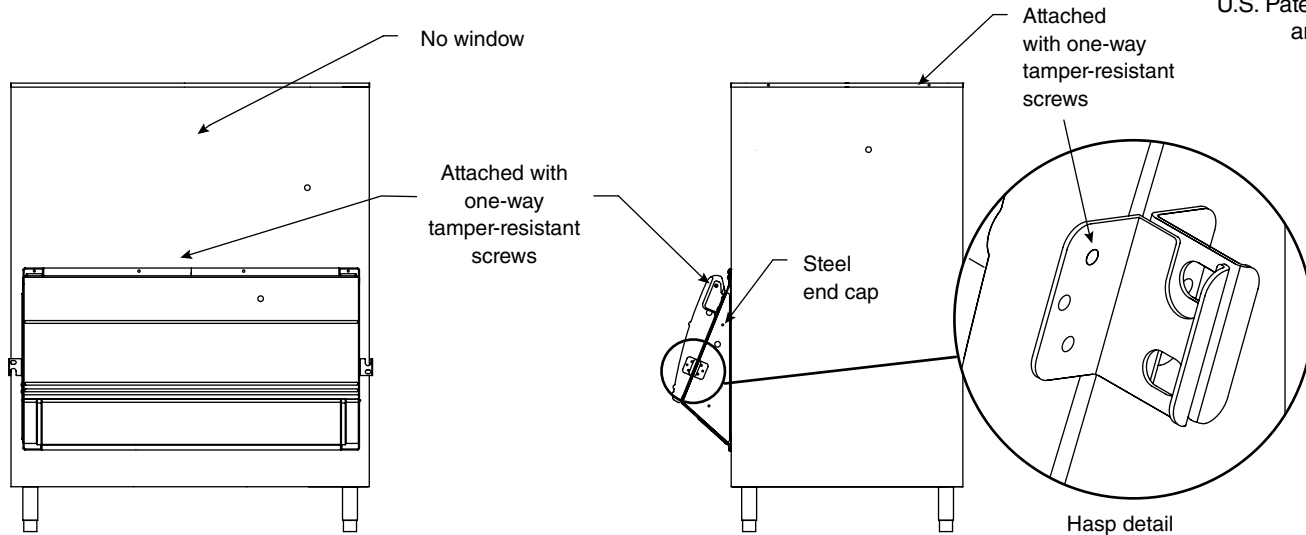
Ice dispensing models

- Thumbscrews are utilized on Ice•Devlce chute to enable removal for cleaning to retain NSF listing
- Hole openings on ice dispensing chute are compatible with tamper-resistant screws



Correctional package for upright ice storage bins and Ice•Devlce ice dispensing bins

U.S. Patent 5,797,514
and 5,887,758



Models below are compatible with the correctional facility package (item# 00917054).
Standard carts and totes are included with Ice•Devlce ice dispensing bins.
For complete bin specifications, please request specification sheet noted for each product family.

SmartGATE Single Door Ice Storage Bin

Request form# 9140 for more details.

Model Number	Cubic Volume cu ft (m)	Max. Bin Capacity lb (kg)*
SG500S-30	14.8 (.41)	460 (209)
SG700S-30	21.7 (.61)	680 (308)
SG860S-48	19.7 (.56)	860 (390)
SG1010S-48	31.9 (.90)	1000 (454)
SG1175S-48	37.6 (1.06)	1185 (538)
SG1300S-48	41.9 (1.19)	1320 (599)
SG1160S-56	37.3 (1.06)	1170 (531)
SG1350S-56	43.2 (1.22)	1360 (617)
SG1080S-60	34.3 (.97)	1080 (490)
SG1325S-60	42.0 (1.19)	1325 (601)
SG1475S-60	47.4 (1.34)	1490 (676)
SG1650S-60	52.8 (1.50)	1660 (753)

* Computed on cubic volume of bin. Does not reflect voids that can occur due to pyramiding.

SmartGATE Double Door Ice Storage Bin

Request form# 9145 for more details.

Model Number	Cubic Volume cu ft (m)	Max. Bin Capacity lb (kg)*
SG1850-96	59.4 (1.68)	1870 (848)
SG2100-72	67.1 (1.90)	2110 (957)
SG2250-72	71.5 (2.02)	2250 (1021)
SG2650-72	84.0 (2.38)	2650 (1202)
SG3200-72	102.7 (2.90)	3240 (1470)
SG3900-72	125.1 (3.54)	3940 (1787)
SG4600-72	147.4 (4.17)	4640 (2105)

* Computed on cubic volume of bin. Does not reflect voids that can occur due to pyramiding.

Single Door Ice•Devlce Ice Dispensing Bin with SmartGATE

Request form# 9720 for more details.

Model Number	Cubic Volume cu ft (m)	Max. Bin Capacity lb (kg)*
DEV500SG-30	14.8 (.41)	460 (209)
DEV700SG-30	21.7 (.61)	680 (308)
DEV860SG-48	19.7 (.56)	860 (391)
DEV1010SG-48	31.9 (.90)	1000 (454)
DEV1175SG-48	37.6 (1.06)	1185 (538)
DEV1300SG-48	41.9 (1.19)	1320 (599)
DEV1160SG-56	37.3 (1.06)	1170 (531)
DEV1350SG-56	43.2 (1.22)	1360 (617)
DEV1080SG-60	34.3 (.97)	1080 (454)
DEV1325SG-60	42.0 (1.19)	1325 (601)
DEV1475SG-60	47.4 (1.34)	1490 (676)
DEV1650SG-60	52.8 (1.50)	1660 (753)

* Computed on cubic volume of bin. Does not reflect voids that can occur due to pyramiding.

Double Door Ice•Devlce Ice Dispensing Bin with SmartGATE

Request form# 2320 for more details.

Model Number	Cubic Volume cu ft (m)	Max. Bin Capacity lb (kg)*
DEV2100SG-72	59.4 (1.68)	2110 (957)
DEV2250SG-72	71.5 (2.02)	2250 (1021)
DEV2650SG-72	84.0 (2.38)	2650 (1202)
DEV3200SG-72	102.7 (2.90)	3240 (1470)
DEV3900SG-72	125.1 (3.54)	3940 (1787)
DEV4600SG-72	147.4 (4.17)	4640 (2105)

* Computed on cubic volume of bin. Does not reflect voids that can occur due to pyramiding.

Ice•Devlce, SmartCART, PowerHinge and Totes are trademarks of Follett Corporation.

SmartGATE is a registered trademark of Follett Corporation, registered in the US.

Follett reserves the right to change specifications at any time without obligation. Certifications may vary depending on country of origin.