

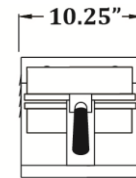


GOLD MEDAL® PRODUCTS CO.

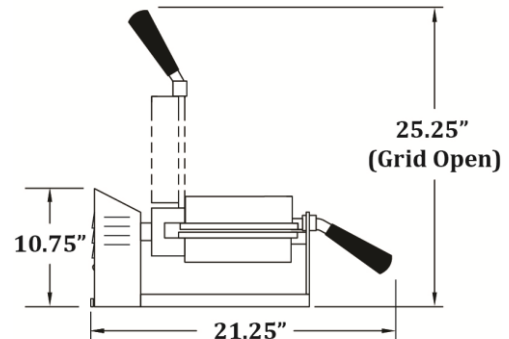
Giant Cone Baker w/Electronic Control

Model No. 5020E

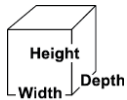
Specifications



Operator End View



Side View



Overall Dimensions:

Width: 10.25"

Depth: 21.25"

Height: 10.75"

(Dimensions w/grids in closed position.)

Features:

- Electronic Control

Electrical - Domestic

120V

1000 WATTS 60 Hz

(NEMA 5-15P) Plug

Plug Type:



NEMA 5-15P

Agency Approvals:



Gold Medal Products Co.
10700 Medallion Drive, Cincinnati, OH 45241

Ph: (513) 769-7676, (800) 543-0862; Fax: (513) 769-8500
gmpopcorn.com info@gmpopcorn.com