



# Three Compartment Dish Table with S/S Legs & End Bracing - Right Side

## Dish Tables



Use your smart phone to scan the above QR code to visit our website:  
[www.bk-resources.com](http://www.bk-resources.com)

### Certifications:

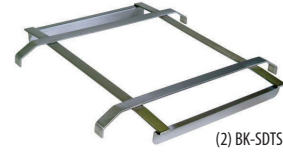


### Features:

- 20" x 20" x 12" (d) Bowls
- 1 <sup>5/8"</sup> Rolled Edge
- (3) BKDR-4 Basket Drains Included
- (2) BK-SDTS Tray Guide
- (1) BK-PRB-5 Pre-Rinse Basket
- PG Unit Includes BKF-SMPR-WB-G & (3) BK-LWR-1 & Installed Lever Drain Brackets

### Material:

- T-304 18 ga. Stainless Steel Top & Bowl
- Stainless Steel Legs & Bracing
- Adjustable S/S Over Plastic Bullet Feet

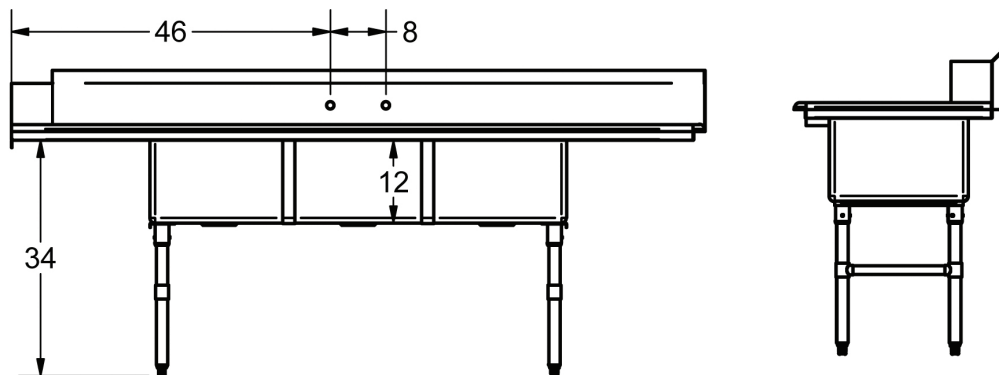
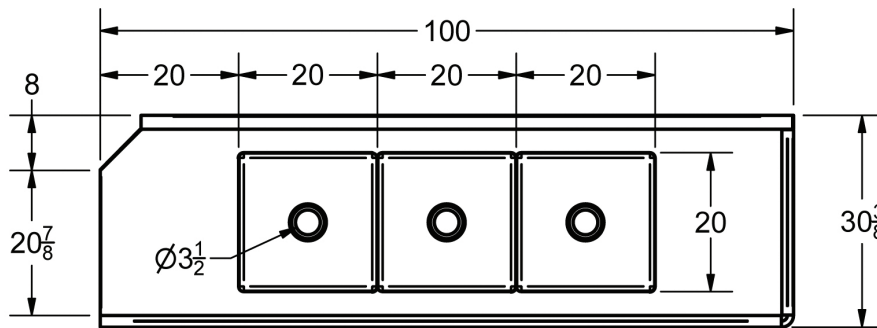


### Options:

- Left Side or Right Side Units Available



Part Number	Overall Dim. (l x w x h)	Pre-Rinse	Lever Drains	Product Weight (lbs)
BKSDT-3-20-12-20RS	100" x 30 <sup>1/2</sup> " x 44"	-	-	132.00
BKSDT-3-20-12-20RSPG	100" x 30 <sup>1/2</sup> " x 44"	BKF-SMPR-WB-G	(3) BK-LWR-1	138.00



PRODUCT DATA SHEET

BK RESOURCES

