

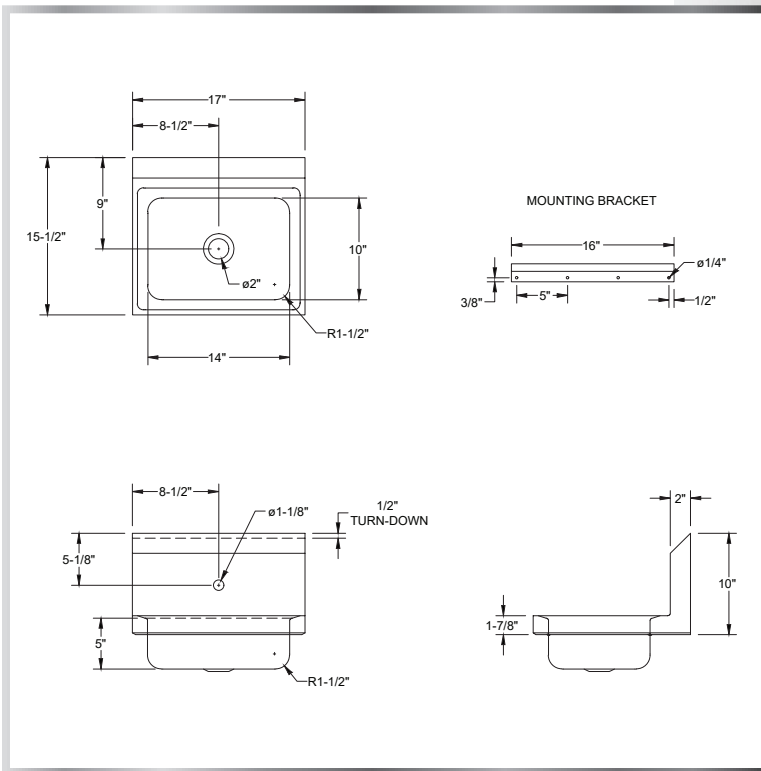
WALL-MOUNT HAND SINK

SINKS - HAND



MATERIALS

- 18 Gauge 304 Series Stainless Steel; Fabricated



FEATURES

- Wall-Mounted Hole For Faucet
- 8" Backsplash
- Includes Drain (STN-2) and Mounting Kit

MODEL NUMBER

HS2-W1

HAND SINK SIZE

14" x 10" x 5"