

# ECONOMY SOILED DISH TABLE (RIGHT TO LEFT OPERATION)



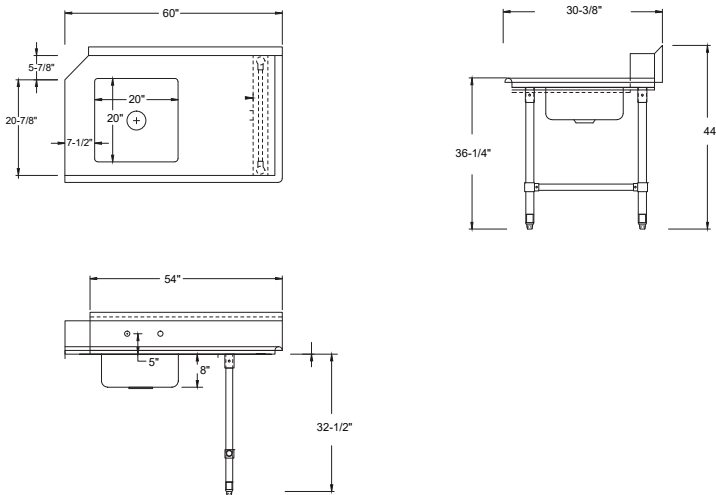
## DISH TABLES - SOILED

### MATERIALS

- 18 Gauge 300 Series Stainless Steel Top
- Galvanized Steel Legs and Gussets
  - Plastic Bullet Feet



**COMPATIBLE WITH  
NEW NBR FAUCETS!  
SEE PAGE 75**



### FEATURES

- Straight Design
- 10" Backsplash with 2" Return to Wall At 45°
- 8" On-Center Wall-Mounted Faucet Holes
- Rolled Front and Side Edges
- One Deep Pre-Rinse Sink on Left Side
- Adjustable Bracing and Bullet Feet
- Drain Basket Included

| MODEL NUMBER | BOWL SIZE<br>L X W X H | LENGTH | WIDTH                             |
|--------------|------------------------|--------|-----------------------------------|
| SDT-26R      | 20" x 20" x 8"         | 26"    | 30- <sup>3</sup> / <sub>8</sub> " |
| SDT-36R      | 20" x 20" x 8"         | 36"    | 30- <sup>3</sup> / <sub>8</sub> " |
| SDT-48R      | 20" x 20" x 8"         | 48"    | 30- <sup>3</sup> / <sub>8</sub> " |
| SDT-60R      | 20" x 20" x 8"         | 60"    | 30- <sup>3</sup> / <sub>8</sub> " |
| SDT-72R      | 20" x 20" x 8"         | 72"    | 30- <sup>3</sup> / <sub>8</sub> " |