

- NR3633RSSV 35-3/4"L x 33"D x 33"H
- NR4833RSSV 47-3/4"L x 33"D x 33"H

Included

- NOTE: Glass warranty only applicable to first point of delivery
- Breeze~E (Type-II) self-contained refrigeration
- Compressor air intake from rear and out front panel at toe kick. Front panel cannot be blocked.
- Condensate pan (self-contained refig. only)
- LED top light
- One piece formed ABS plastic tub
- One year parts & labor; 5 year compressor warranty
- Warmest average product temperature of 40°F or less



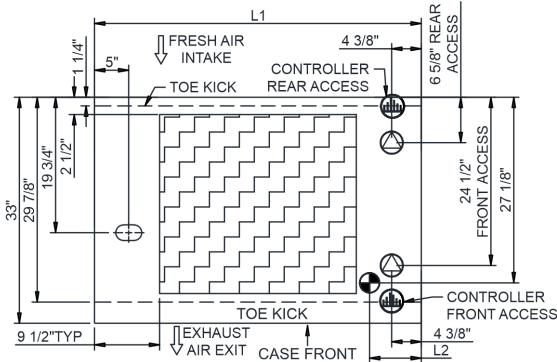
NR4833RSSV

| Specify | Standard Features | Additional Options |
|-------------------------|---|--|
| FRAME EXTERIOR COLOR | • Powder coated Silversan Black | • Powder coated (stock/non-stock colors) • Stainless steel |
| INTERIOR COLOR | • Powder coated Silversan Black | • NOTE: Interior color must be FDA & NSF approved • Powder coated (stock colors, specify RAL#) • Powder coated stock color (specify RAL # or description) • Stainless steel |
| LOWER FRONT PANEL COLOR | • Powder coated Silversan Black | • Powder coated (stock colors, specify RAL#) • Stainless steel |
| PANEL EXTERIOR | • Laminate (stock colors) | • Laminate (non-stock colors) • Stainless steel |
| BASE SUPPORT | • Adjustable, locking casters (self-cont.) | • 6"H legs (self-cont.) • Shims (remote) |
| END PANELS | • Full end panel | • None (specify per line-up) |
| LOWER REAR PANEL | • Powder coated Silversan Black | • Powder coated (stock colors, specify RAL#) • Stainless steel |
| REAR DOORS | • None (solid back panel) | • Clear glass rear sliding doors • Reflective glass rear sliding doors |
| LIGHTS | • LED 3500K w/ frosted lens | • LED 3000K w/ frosted lens • LED 4000K w/ frosted lens |
| ELECTRICAL CONNECTION | • 10' Straight blade power cord (self-cont.) | • 10' Locking power cord (self-cont.) • Electrical leads (remote) |
| REFRIGERATION | • Breeze~E (Type-II) self-contained refrigeration (rear access) | • Breeze~E (Type-II) self-contained refrigeration (front access) • Remote w/thermostat, solenoid & TXV (front access) • Remote w/thermostat, solenoid & TXV (rear access) |
| MISCELLANEOUS | | • 14.5" Base height extension • Rear door lock • Second year parts & labor warranty (excludes compressor) |
| ACCESSORIES | | • 4"D full chimney rear wall spacer (front access only) • 4"D open rear wall spacer (front access only) • Clean Sweep® coil cleaner (self-cont.) • Night curtain, retractable, non-locking • Removable clear acrylic security cover, locking |

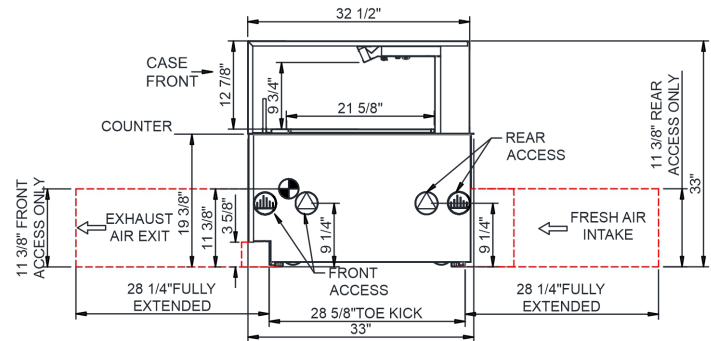
Option Notes: 1 - Cannot be combined w/ 6"H legs

| | | |
|--|---|----------------------------------|
| Intended Environment: Type II - Designed to operate in ambient conditions of 80°F and 55% relative humidity unless noted otherwise in system information below. | | |
| Zone | Intended Product To Be Displayed | Warmest Avg Prod Temp ° F |
| 1 | Packaged refrigerated products | 40 |

PLAN VIEW

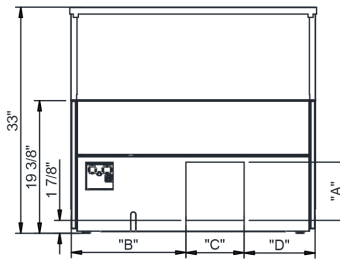


SIDE VIEW



R290 SELF-CONTAINED ACCESS DIMENSIONS PROVIDED.
CONTACT FACTORY FOR ALL OTHER SELF-CONTAINED ACCESS DIMENSIONS

| | "A" | "B" | "C" | "D" |
|------------|--------|---------|--------|---------|
| NR3633RSSV | 8 1/2" | 16 3/4" | 8 1/2" | 10 3/8" |
| NR4833RSSV | 8 1/2" | 28 3/4" | 8 1/2" | 10 3/8" |



REAR VIEW

- NOTES:**
- 11 3/8" TALL, FULL WIDTH OF CASE OPENING IN CABINET OR COUNTER IS REQUIRED TO PULL OUT REFRIGERATION SYSTEM.
 - BACK OF COUNTER / CABINET MUST BE VENTED PROPERLY FOR ADEQUATE AIRFLOW TO CONDENSER.
 - **REPRESENTS REAR PULLOUT REFRIGERATION. AIR FLOW INTAKE AND EXIT DETAILS ARE REVERSED WITH FRONT PULLOUT REFRIGERATION OPTION.
 - SELF-CONTAINED ACCESS ONLY BY PULLING OUT CONDENSER UNIT.
 - 4" OPEN AREA CLEARANCE REQUIRED FOR AIR FLOW FRONT AND REAR OF CASE.

NOTE: ALL DIMENSIONS APPROXIMATE

- ELECTRICAL JUNCTION BOX (SUPPLIED WITH 6" LEADS OR POWER CORD).
- LOCATION OF DRAIN TUBE FOR REMOTE REF. ONLY (SUPPLIED WITH 3/4" OR 1 1/2" PVC TUBE).

- REFRIGERATION LINE CONNECTION.
- REMOTE FLOOR SINK & UTILITIES ACCESS AREA.

- SELF-CONTAINED CASE SERVICE ACCESS AREA.
- DRY CASE SERVICE ACCESS AREA.

| Model Technical Specifications | | | | | | | | | | | | | | | | |
|--------------------------------|-----|-------|------|------------------------|------------|---------|-----|------|----------|-------|-------|-----------------|-------|-----------------|-----------------|--------|
| Model | L" | L1" | L2" | System Circuit Volts | | | Phs | Freq | Amps *** | Watts | Wires | NEMA Plug | SST | Conv. Rack BTUH | Para. Rack BTUH | Est Wt |
| NR3633RSSV | N/A | 35.75 | 7.50 | Remote (DX) | Circuit #1 | 110-120 | 1 | 60 | 1.20 | 42 | 2+G | Leads Single | 20.00 | 1210 | 1120 | 600 |
| | | | | Self-Contained (R290) | Circuit #1 | 110-120 | 1 | 60 | 10.85 | 965 | 2+G | 5-15P or L5-15P | N/A | N/A | N/A | |
| | | | | Self-Contained (R513A) | Circuit #1 | 110-120 | 1 | 60 | 9.88 | 772 | 2+G | 5-15P or L5-15P | N/A | N/A | N/A | |
| NR4833RSSV | N/A | 47.75 | 7.50 | Remote (DX) | Circuit #1 | 110-120 | 1 | 60 | 1.26 | 51 | 2+G | Leads Single | 20.00 | 1577 | 1460 | 700 |
| | | | | Self-Contained (R290) | Circuit #1 | 110-120 | 1 | 60 | 10.90 | 973 | 2+G | 5-15P or L5-15P | N/A | N/A | N/A | |
| | | | | Self-Contained (R513A) | Circuit #1 | 110-120 | 1 | 60 | 9.74 | 770 | 2+G | 5-15P or L5-15P | N/A | N/A | N/A | |

*** Does not include electric defrost on freezer models.

Regulatory Approvals:

All Models
 Accordance with AHRI Std 1200
 ETL Listed to UL 471
 ETL Listed to CAN/CSA 22.2 No. 120
 ETL Sanitation to NSF/ANSI 7



In Accordance with
AHRI Std 1200

DOE 2017
Energy Efficiency
Compliant

Important Notes:

- 1) ELECTRICAL NOTE: If GFCI is required, a GFCI breaker MUST be used in lieu of a GFCI receptacle
- 2) Back side of counter must be open or vented the full length of the unit to allow proper ventilation for the refrigeration system.
- 3) Glass warranty only applicable to first point of delivery.

⚠ WARNING: This product can expose you to chemicals, including Urethane (Ethyl Carbamate), which are known to the State of California to cause cancer and birth defects or other reproductive harm. For more information go to www.P65Warnings.ca.gov.