



Your Solutions Partner

Specifications

F.O.B. Sedalia, Missouri 65301



540-xx

OPTIONS:

- Fluorescent light
- Radiant heat rod w/incandescent light - 120V
- Radiant heat rod w/switch
- Special lengths or heights
- Special finish colors

Agency Listings:



DUKE MANUFACTURING CO.

2305 N. Broadway

St. Louis, MO 63102

800.735.3853 Toll Free

314.231.5074 Fax

www.dukemfg.com

SS-1185 Food Guard - Designer Series Self Serve

Approval Stamp(s):

PRODUCT INFORMATION:

PROJECT: _____

ITEM: _____

QUANTITY: _____

MODEL: Foodshield - Designer Series - Self Serve

Fits: Thurmaduke Steamtable, Aeroserv, Thurmad-uke Serving Systems

- TS540-32**
 - TS540-46**
 - TS540-60**
 - TS540-74**
 - TS540-88**
- Self Service Style - Stainless Steel Top

TOP:

- All edges flanged down
- 18 gauge stainless steel or paint grip steel
- Choice of (12) powder coat paint colors (must choose one):

FRAMES:

- 18 gauge stainless steel or choice of 12 powder coat colors

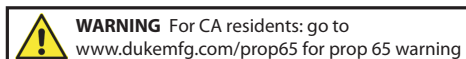
GUARDS:

- Adjustable 1/4" tempered glass food shield

SIZES:

- All units available in following lengths
31-3/4", 45-3/4", 59-3/4", 73-3/4", 87-3/4"

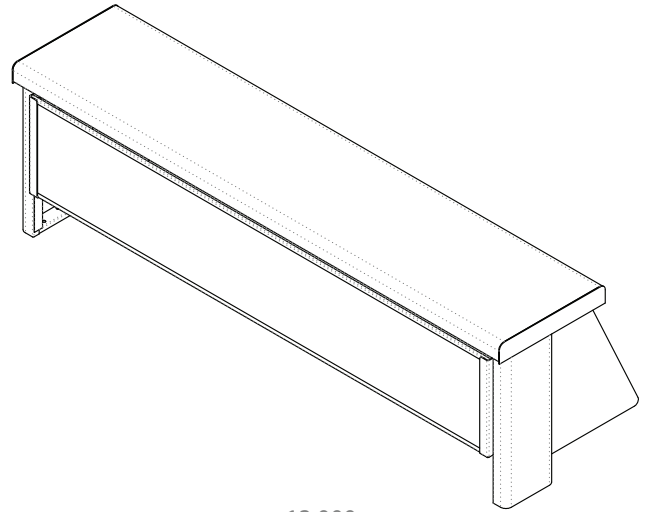
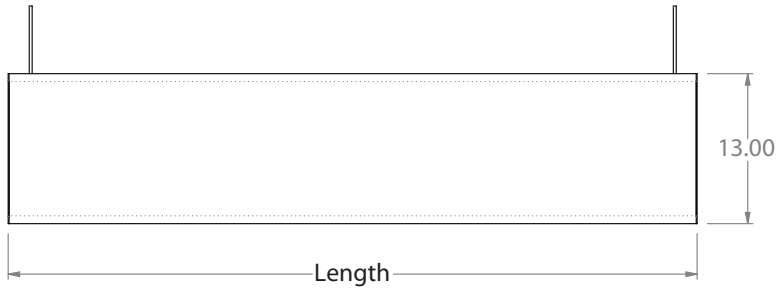
Specification subject to change



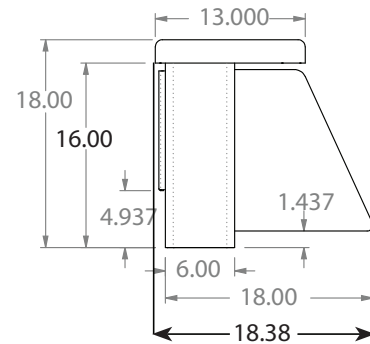
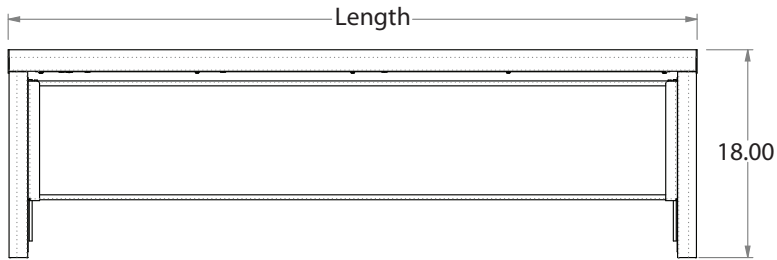
FOODSHIELD - DESIGNER SERIES

SELF SERVE

A.I.A. File No. 35-C-13



Catalog No. FS-DESIGNER



DIMENSIONS:

Freight Class: 150

Model	Length		Height		Width		Weight		Cube ft.
	in	cm	in	cm	in	cm	lbs	kg	Crated
TS540-32	32	81.3	18	45.7	18.375	33.0	25	11.4	8.3
TS540-46	46	116.8	18	45.7	18.375	33.0	31	14.1	11.4
TS540-60	60	152.4	18	45.7	18.375	33.0	36	16.4	14.5
TS540-74	74	188.0	18	45.7	18.375	33.0	40	18.2	17.5
TS540-88	88	223.5	18	45.7	18.375	33.0	44	20.0	20.6

Self-Service Style, w/stainless steel for painted top, stainless steel or painted end panels.

FOODSHIELDS - DESIGNER SERIES



Duke Manufacturing Co.
2305 N. Broadway
St. Louis, MO 63102

Phone: 314-231-1130
Toll Free: 1-800-735-3853
Fax: 314-231-5074

www.dukemfg.com

Printed in U.S.A
© 2020, Duke Manufacturing Co.