

Dutchess

Bakers' Machinery Company, Inc.

A subsidiary of Superior-Lidgerwood-Mundy Corp.

*A United States of America Manufacturer
Since 1886*

Item No. _____

Model DUT-BMM Bench Model Moulder

(For: Bread, Rolls & Bolillos)

Bench Top Bread/Roll Moulder

Interchangeable Moulding Plates to make bread and rolls from 4" to 9" long, or tapered Rolls for Bolillos in 5", 6" & 7.5" length.

Moulding Plates are easily removed for cleaning or interchange (*no tools required*) and can be placed into a sink or dishwasher for complete cleaning to a sanitary operating condition in just minutes per day.

Mould Bread, Subs, Hogies, Coneys and Bolillo's with ease. One person operation.

Simple to operate - learn in just minutes!

1 year parts, 6 months labor warranty.

ETL Safety & BISSC Sanitation Listed

Features:

Made in the USA.

Heavy duty construction.

Compact counter top design.

Low stress spring loaded dough rollers.

Capacity ½ oz to 18 oz.

Up to 900, 8 ounce dough pieces per hour.

In-feed safety hopper w/automatic shut-off.

FDA Approved polyester belt.

3" Diameter synthetic rollers and scrapers.

All sealed heavy duty ball bearings.

Totally enclosed roller chain drive.

Specifications subject to change without notice



ASSOCIATE MEMBER
MAFSI
Manufacturers' Agents for
the Food Service Industry

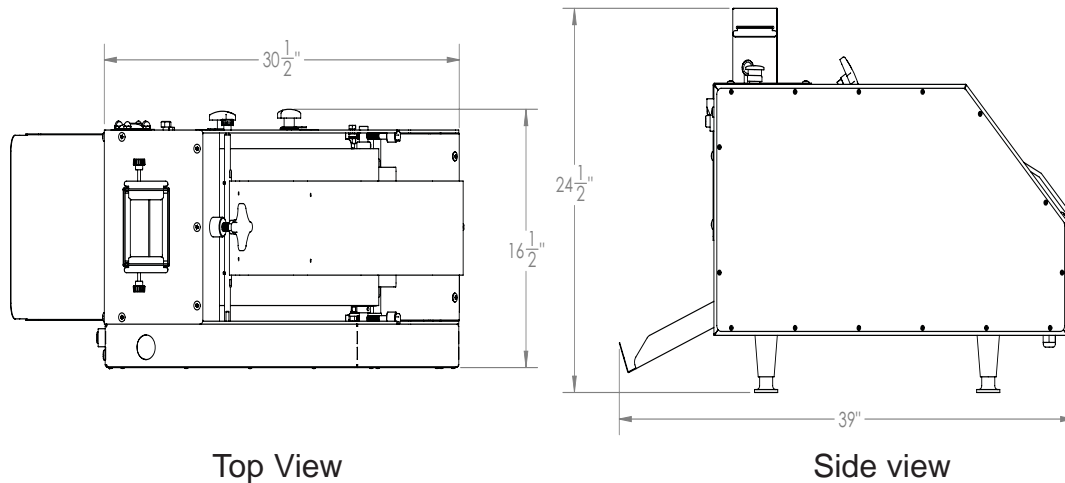
Dutchess Bakers' Machinery Co.
302 Grand Avenue, PO Box 39
Superior, WI 54880-0039

ISO 9001:2008 COMPLIANT

Toll Free: 800-777-4498
Phone: 715-394-4444
Fax: 715-394-2406
sales@dutchessbakers.com
www.dutchessbakers.com

MODEL DUT-BMM

Bench Top Bread, Roll & Bolillo Moulder



Top View

Side view

Machine Dimensions:

Width: 16-1/2" **Depth:** 39" **Height:** 24-1/2"

Shipping Wt.: 260 lbs. (approximate) **Net Wt.:** 200 lbs (approximate)

Shipping Class: 85 **FOB:** Salt Lake City, UT 84104

Shipping Dimensions: 37" L x 22" W x 33" H

Standard Models with (1) Moulding Plate and Side Guides when needed:

DUT-BMM4 - Bench Model Bread & Roll Moulder with **DUT-FMP4** and **DUT-FPSG** included

DUT-BMM5 - Bench Model Bread & Roll Moulder with **DUT-FMP5** and **DUT-FPSG** included

DUT-BMM6 - Bench Model Bread & Roll Moulder with **DUT-FMP6** and **DUT-FPSG** included

DUT-BMM7 - Bench Model Bread & Roll Moulder with **DUT-FMP7** and **DUT-FPSG** included

DUT-BMM8 - Bench Model Bread & Roll Moulder with **DUT-FMP8** and **DUT-FPSG** included

DUT-BMM9 - Bench Model Bread & Roll Moulder with **DUT-FMP9** and **DUT-FPSG** included

DUT-BBM5 - Bench Model Bolillo Moulder with **DUT-BMP5** included

DUT-BBM6 - Bench Model Bolillo Moulder with **DUT-BMP6** included

DUT-BBM7 - Bench Model Bolillo Moulder with **DUT-BMP7** included

Electrical: 115V/60Hz/1Ph, Heavy Duty Fan Cooled 1/2hp Motor, 8.5 amps

Options:

DUT-FPSG - Moulding Plate Side Guides (for use with all Flat Plates)

DUT-FMP4 - Flat Moulding Plate, 4"

DUT-FMP5 - Flat Moulding Plate, 5"

DUT-FMP6 - Flat Moulding Plate, 6"

DUT-FMP7 - Flat Moulding Plate, 7"

DUT-FMP8 - Flat Moulding Plate, 8"

DUT-FMP9 - Flat Moulding Plate, 9"

DUT-BMP5 - Bolillo Moulding Plate, 5"

DUT-BMP6 - Bolillo Moulding Plate, 6"

DUT-BMP7 - Bolillo Moulding Plate, 7.5"

Electrical: 220V/60Hz or 50Hz/1Ph, 4.2 amps

Dutchess Bakers' Machinery Company Inc., 302 Grand Avenue, Superior, WI 54880-0039

Toll Free: 800-777-4498 ~ Ph: 715-394-4444 ~ Fax: 715-394-2406

sales@dutchessbakers.com ~ www.dutchessbakers.com