



LEGEND™ Heavy-Duty 36" (914mm) Gas Range

Item No. _____

Project _____

Quantity _____

(-5) Top Series



Model 136-5

SHORT/BID SPECIFICATION

Range shall be a Montague **Legend** Model [Specify one]:

- 136-5**, with front-vented 40,000 BTU/hr conventional oven with counterweighted door, porcelainized steel interior, three-position rack guides and one wire pan rack standard
- V136-5**, with indirect-fired 40,000 BTU/hr convection oven with counterweighted door, porcelainized steel interior, five-position rack guides and three wire pan racks standard
- 36-5**, with open front cabinet base with two shelves;
- M36-5**, with 28" (711mm) high modular stand with stainless steel tubular legs;

...a 36" (914mm) wide heavy-duty gas-fired unit with three 12" (305mm) heavy-duty cast iron, precision-ground open top grates, over 30,000 BTU/hr lift off star burners; provided with individual burner controls and automatic standing pilots; with stainless steel front and exterior bottom, black painted sides and back, 4" (102mm) high flue riser and 3" (76mm) deep front rail standard; plus all the features listed and options/accessories checked:

RANGE TOP FEATURES:

Three 12" wide x 31" deep (305 x 787mm) open burner tops, with:

- Heavily ribbed cast iron, surface-ground top grates
- Two large diameter 30,000 BTU/hr lift off star burners with raised ports
- Automatic, standing pilots
- Drip pan positioned under open burners

MODEL GUIDE		
✓ Model No.	Base Style/Type	-5 Range Top
136-5	With Standard Oven	
V136-5	With Convection Oven	
36-5	With Cabinet Base	
M36-5	With Modular Stand	

STANDARD (136-5 MODEL) OVEN FEATURES:

- 26-5/8" wide x 28" deep x 15" high (676 x 711 x 381mm) cooking compartment
- Accepts 18" x 26" (457 x 660mm) pans sideways or lengthwise
- Front-venting oven design for more even cooking
- Heavy-duty counterweighted oven door — no springs
- Three-position adjustable nickel-plated rack supports, with one rack standard
- Interior panels and door porcelain lined for long life & easy cleaning
- Low-to-500°F (260°C) thermostat mounted in insulated cool zone
- 40,000 BTU/hr cast iron burner with automatic ignition safety pilot

CONVECTION (V136-5 MODEL) OVEN FEATURES:

- 26-5/8" wide x 22-1/4" deep x 15" high (676 x 565 x 381mm) cooking compartment
- Muffled, indirect-fired design with blower, for fast, even cooking
- Heavy-duty counterweighted oven door — no springs
- Five-position adjustable nickel-plated rack supports, with three racks standard
- Interior panels and door porcelain lined for long life & easy cleaning
- Low-to-500°F (260°C) thermostat mounted in insulated cool zone
- 40,000 BTU/hr cast iron burner with automatic ignition safety pilot
- 6' (1829mm) cord with 3-prong plug (grounding NEMA 5-15P)

STANDARD CONSTRUCTION FEATURES:

- Satin finish stainless steel front and exterior bottom with 3" (76mm) deep front rail
- Other surfaces painted black with electrolytic zinc undercoating
- Stainless steel 4" (102mm) rear flue riser standard
- 6" (152mm) adjustable stainless steel legs standard (Except M36-5 Model)
- 28" (711mm) stainless steel tubular legs standard with M36-5 Model
- Cabinet base with sides, back panel and two shelves on 36-5 Model
- 1-1/4" NPT front gas manifold with 1/2 union on each end

AGENCY APPROVALS:

- NSF Listed
- ETL Design Certified to ANSI Z83.11 • CSA 1.8
- CE Approved • EN 203-1



HDS-14 [Rev. 2/17]

Item No. _____

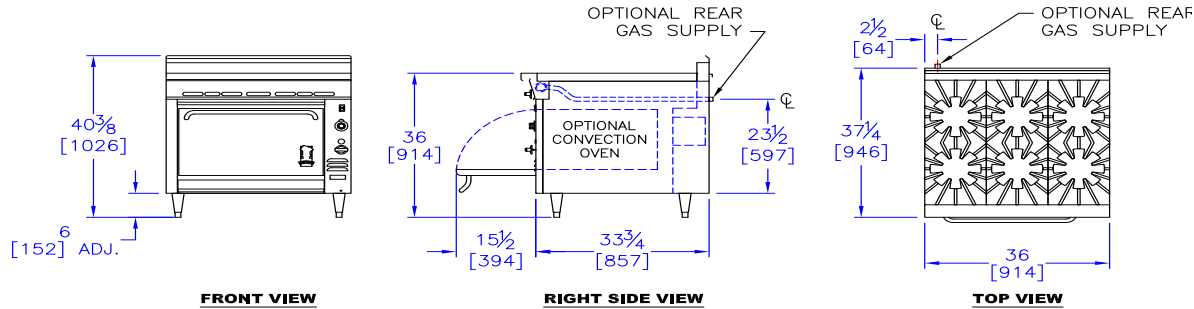
Project _____

Quantity _____

LEGEND™ Heavy-Duty 36" (914mm) Gas Range

(-5) Top Series

Dimensions in brackets are millimeters



OPTIONS GUIDE:

Open Burner Top Sections:

Front star burner with a rear solid hot top 15,000 BTU/hr [-59], positioned:

- Right Center Left

Cast Iron Ribbon Grate (for use with 20,000 BTU/hr burners only) positioned:

- Right (1) Center (1) Left (1)

20,000 BTU/hr lift off star burner, positioned:

- Left (2) Center (2) Left & Center (4)

42" (1067mm) range depth [Add Suffix: -40]

304 stainless steel burner box assembly

Back Panels/Shelves:

18" (457mm) high back

Single high shelf

Double high shelf

6" (152mm) wide stainless steel plate shelf

8" (203mm) wide stainless steel plate shelf

Cabinet Base Door

Oven:

Cast iron oven bottom

Extra oven racks: ____ea.

650°F (343°C) finishing oven with cast iron oven bottom -includes cast iron oven bottom option [see Heavy Duty option page HDS-48]

Manifolds: [Left rear with pressure regulator]:

1" NPT up to 400,000 BTU/hr

Manifold Cap: left side right side

Stainless Manifold Cover:

left side right side

Electrical (V136):

120 V, 1-phase, 60 Hz, 3.4 A

(standard, with 6' (1.8m) NEMA 5-15P power cord)

208-240 V, 1-phase, 60 Hz, 1.7 A

Controls: *Options include 304 stainless steel burner assembly with lift out burner pans (for open tops only) [see Heavy Duty option page HDS-48]

*Electronic rangetop pilot ignition; electronic oven control (V136 & 136 ovens only)

*Flame failure rangetop safety valves

*Electronic rangetop pilot ignition & flame failure rangetop safety valves; electronic oven control (V136

& 136 ovens only)

Finish:

Stainless steel left side panel

Stainless steel right side panel

Stainless steel back panel

Stainless steel shelves and sides [36-5 Cabinet Model]

230 V, 1-phase, 50 Hz, 3.9 A

General:

Casters — set of four 5" (127mm) casters

Flanged feet with holes

Flex Connector Kit 1" NPT:

3' (914mm) 4' (1219mm)

Security Options/Prison Package

[Consult Factory]

International Approvals:

CE - Conformance Européenne - EN203-1

Includes flame failure valve option

Canadian Approval

INSTALLATION REQUIREMENTS & SHIPPING INFORMATION

- Ovens & ranges must be installed in accordance with local codes or in their absence with the National Fuel Gas Code: ANSI Z223.1; CAN/CGA-B149.1-Natural Gas and Propane Installation Code, as applicable. Compliance with codes is the responsibility of the Owner and Installer.
- An adequate ventilation system is required. Refer to National Fire Protection Association No. 96, Standard for Ventilation Control and Fire Protection of Commercial Cooking Operations.
- This appliance is intended for commercial use by professionally trained personnel. NOT intended for Residential Use.
- Specify installation elevation: _____ if above 2,000 ft (610m).
- GAS INLET SIZE (All Models):** 1-1/4" (32mm) front manifold with 1/2" union on each end provided for battery connection. A properly sized gas pressure regulator must be furnished by the Installer.
- The incoming gas line pressure into the regulator should be 8"-14" w.c. for natural gas, and 12"-14" w.c. for propane gas.

Minimum Clearances	Combustible Construction	Noncombustible Construction
From Back Wall*	2" (51mm)	0"
Left & Right Side	15" (381mm)	0"
With 6" (152mm) legs	Suitable for installation on combustible floors	
*V136-5 Models require 2" (51mm) motor clearance at rear.		
Curb installation requires a minimum toe space depth of 2" (51mm). Consult factory for details on installing convection oven range bases on curbs.		

Specify Type of Gas:		<input type="checkbox"/> Natural	<input type="checkbox"/> Propane	<input type="checkbox"/> FFV †	Electrical	Shipping Weight	Shipping Class	Cube (Crated) ft ³ /m ³
Gas Delivery Pressure:		6.0" WC	10.0" WC	Natural/Propane	120V			
Models:	Burners	BTU/hr* (kW)	BTU/hr* (kW)	BTU/hr* (kW)	Amperage			
136-5	7	220,000 (64.5)	220,000 (64.5)	220,000 (64.5)	---	536 lbs (243 kg)	85	32/.9
V136-5	7	220,000 (64.5)	220,000 (64.5)	220,000 (64.5)	3.4	560 lbs (254 kg)	85	32/.9
36-5	6	180,000 (52.8)	180,000 (52.8)	180,000 (52.8)	---	352 lbs (160 kg)	85	27/.75
M36-5	6	180,000 (52.8)	180,000 (52.8)	180,000 (52.8)	---	320 lbs (145 kg)	85	18/.5

Entry Clearance: 30" (762mm) uncrated, with legs removed [All Models]

Due to continuous product improvements, specifications are subject to change without notice.



THE MONTAGUE COMPANY

1830 Stearman Avenue, Hayward, CA 94545

800 345-1830 • Fax: 510 785-3342

www.montaguecompany.com

