

## "4PB-2D" PRO-BOWL COMPARTMENT SINKS

### 4 Compartment w/2 Drain Boards - 16GA w/Stainless Steel Base

#### FEATURES:

- Standard 16GA Type 300 Stainless Steel w/#4 Polish, Satin Finish
- 12" Or 14" Deep Bowls
- All Corners, Both Vertical & Horizontal, Coved At 5/8" Radius
- Bottoms Of Bowls Formed For Drainage To 3-1/2" Diameter Die Stamped Opening
- Full Length 10" High Boxed Backsplash, w/2" Return To Wall At 45 Degree & 3/4" Turned Down Rear Lip
- 2 Sets Of Faucet Holes 8" On-Center
- 1" Faucet Holes In Backsplash
- Solid Stainless Steel Front Panel, Type 300 Stainless Steel w/#4 Polish, Satin Finish
- All Outside Corners Of Assembly Are Bullnosed To Provide Safe, Clean, & Polished Edge



4PB1618-2D18

#### SPECIFICATIONS:

- Top: Stainless Steel Sinks Are Tig Welded, Exposed Welds Are Polished To Match Adjacent Surface
- Base: Stainless Steel Bases, Standard Knocked-Down
- Bowls & Top: 16GA Type 300 Stainless Steel w/#4 Polish, Satin Finish
- Legs: 1-5/8" Round O.D. Stainless Steel
- Bracing: 1-1/4" Round O.D. Stainless Steel
- Gussets: Stainless Steel
- Feet: 1" Adjustable Stainless Steel Bullet Feet

#### CERTIFICATIONS:



#### ACCESSORIES

##### MODEL

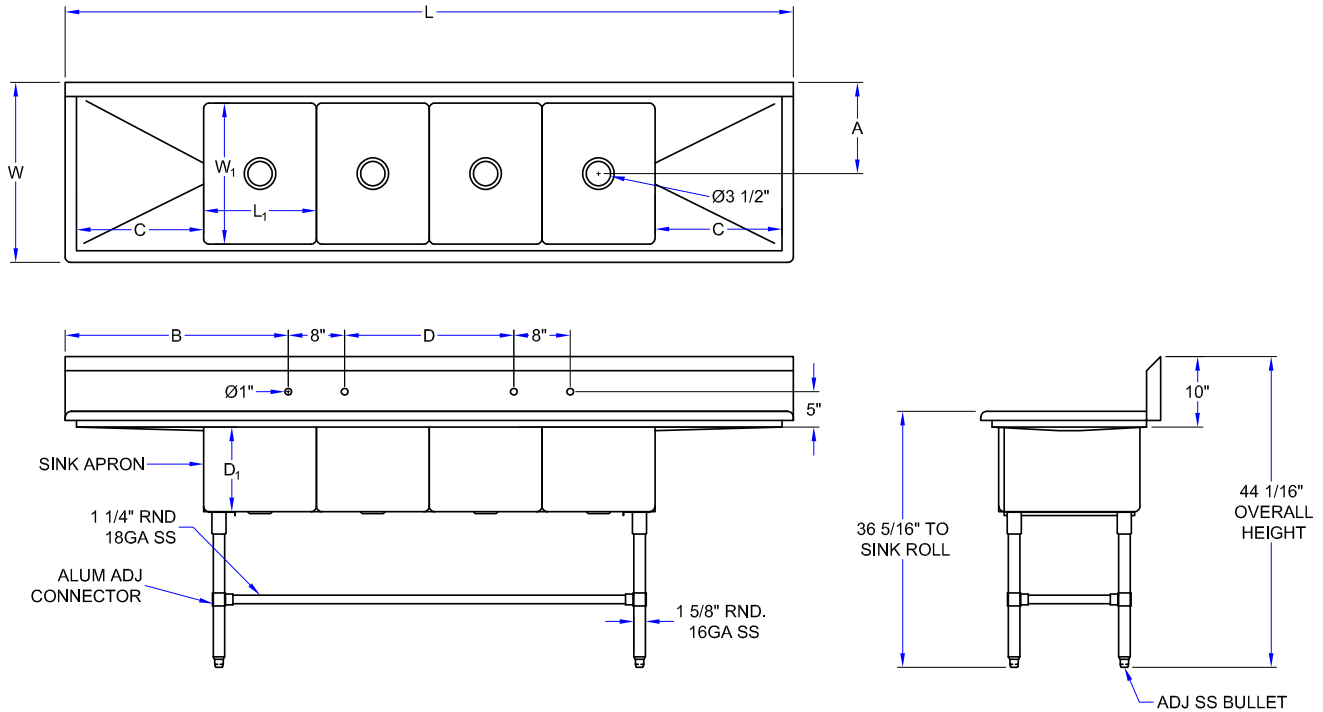
- End Splashes, R, L, Or Both
- Faucets
- Add-A-Faucets
- Pre-Rinse Units
- Lever Waste
- Overshelves
- Pot Rack

### "4PB-2D" PRO-BOWL COMPARTMENT SINKS

12" DEEP (D')	WT. (LBS)	14" DEEP (D')	WT. (LBS)	OVERALL LENGTH (L)	OVERALL WIDTH (W)	INSIDE LENGTH (L')	INSIDE WIDTH (W')	A	B	C	D
4PB1618-2D18	141	4PB16184-2D18	151	103-1/4"	23-1/2"	16"	18"	11-15/16"	31-5/8"	18"	24"
4PB1618-2D24	148	4PB16184-2D24	159	115-1/4"	23-1/2"	16"	18"	11-15/16"	37-5/8"	24"	24"
4PB1620-2D18	148	4PB16204-2D18	159	103-1/4"	25-1/2"	16"	20"	12-15/16"	31-5/8"	18"	24"
4PB1620-2D24	156	4PB16204-2D24	167	115-1/4"	25-1/2"	16"	20"	12-15/16"	37-5/8"	24"	24"
4PB18-2D18	150	4PB184-2D18	161	111-1/4"	23-1/2"	18"	18"	11-15/16"	33-5/8"	18"	28"
4PB18-2D24	158	4PB184-2D24	169	123-1/4"	23-1/2"	18"	18"	11-15/16"	39-5/8"	24"	28"
4PB18-2D30	165	4PB184-2D30	177	135-1/4"	23-1/2"	18"	18"	11-15/16"	45-5/8"	30"	28"
4PB1824-2D18	171	4PB18244-2D18	184	111-1/4"	29-1/2"	18"	24"	14-15/16"	33-5/8"	18"	28"
4PB1824-2D24	180	4PB18244-2D24	193	123-1/4"	29-1/2"	18"	24"	14-15/16"	39-5/8"	24"	28"
4PB1824-2D30	189	4PB18244-2D30	202	135-1/4"	29-1/2"	18"	24"	14-15/16"	45-5/8"	30"	28"
4PB20-2D18	171	4PB204-2D18	182	119-1/4"	25-1/2"	20"	20"	12-15/16"	35-5/8"	18"	32"
4PB20-2D24	179	4PB204-2D24	190	131-1/4"	25-1/2"	20"	20"	12-15/16"	41-5/8"	24"	32"
4PB20-2D30	187	4PB204-2D30	198	143-1/4"	25-1/2"	20"	20"	12-15/16"	47-5/8"	30"	32"
4PB24-2D24	210	4PB244-2D24	225	147-1/4"	29-1/2"	24"	24"	14-15/16"	45-5/8"	24"	40"
4PB24-2D30	219	4PB244-2D30	234	159-1/4"	29-1/2"	24"	24"	14-15/16"	51-5/8"	30"	40"
4PB3024-2D30	249	4PB30244-2D30	266	183-1/4"	29-1/2"	30"	24"	14-15/16"	57-5/8"	30"	52"
4PB3024-2D36	258	4PB30244-2D36	275	195-1/4"	29-1/2"	30"	24"	14-15/16"	63-5/8"	36"	52"

ALL DIMENSIONS ARE TYPICAL. TOLERANCE +/- .500". JOHN BOOS & CO. RESERVES THE RIGHT TO CHANGE SPECIFICATIONS WITHOUT NOTICE.

# DETAILED SPECIFICATIONS



## "4PB-2D" PRO-BOWL COMPARTMENT SINKS

12" DEEP (D')	WT. (LBS)	14" DEEP (D')	WT. (LBS)	OVERALL LENGTH (L)	OVERALL WIDTH (W)	INSIDE LENGTH (L')	INSIDE WIDTH (W')	A	B	C	D
4PB1618-2D18	141	4PB16184-2D18	151	103-1/4"	23-1/2"	16"	18"	11-15/16"	31-5/8"	18"	24"
4PB1618-2D24	148	4PB16184-2D24	159	115-1/4"	23-1/2"	16"	18"	11-15/16"	37-5/8"	24"	24"
4PB1620-2D18	148	4PB16204-2D18	159	103-1/4"	25-1/2"	16"	20"	12-15/16"	31-5/8"	18"	24"
4PB1620-2D24	156	4PB16204-2D24	167	115-1/4"	25-1/2"	16"	20"	12-15/16"	37-5/8"	24"	24"
4PB18-2D18	150	4PB184-2D18	161	111-1/4"	23-1/2"	18"	18"	11-15/16"	33-5/8"	18"	28"
4PB18-2D24	158	4PB184-2D24	169	123-1/4"	23-1/2"	18"	18"	11-15/16"	39-5/8"	24"	28"
4PB18-2D30	165	4PB184-2D30	177	135-1/4"	23-1/2"	18"	18"	11-15/16"	45-5/8"	30"	28"
4PB1824-2D18	171	4PB18244-2D18	184	111-1/4"	29-1/2"	18"	24"	14-15/16"	33-5/8"	18"	28"
4PB1824-2D24	180	4PB18244-2D24	193	123-1/4"	29-1/2"	18"	24"	14-15/16"	39-5/8"	24"	28"
4PB1824-2D30	189	4PB18244-2D30	202	135-1/4"	29-1/2"	18"	24"	14-15/16"	45-5/8"	30"	28"
4PB20-2D18	171	4PB204-2D18	182	119-1/4"	25-1/2"	20"	20"	12-15/16"	35-5/8"	18"	32"
4PB20-2D24	179	4PB204-2D24	190	131-1/4"	25-1/2"	20"	20"	12-15/16"	41-5/8"	24"	32"
4PB20-2D30	187	4PB204-2D30	198	143-1/4"	25-1/2"	20"	20"	12-15/16"	47-5/8"	30"	32"
4PB24-2D24	210	4PB244-2D24	225	147-1/4"	29-1/2"	24"	24"	14-15/16"	45-5/8"	24"	40"
4PB24-2D30	219	4PB244-2D30	234	159-1/4"	29-1/2"	24"	24"	14-15/16"	51-5/8"	30"	40"
4PB3024-2D30	249	4PB30244-2D30	266	183-1/4"	29-1/2"	30"	24"	14-15/16"	57-5/8"	30"	52"
4PB3024-2D36	258	4PB30244-2D36	275	195-1/4"	29-1/2"	30"	24"	14-15/16"	63-5/8"	36"	52"

ALL DIMENSIONS ARE TYPICAL. TOLERANCE +/- .500". JOHN BOOS & CO. RESERVES THE RIGHT TO CHANGE SPECIFICATIONS WITHOUT NOTICE.