

## Prodigy® Cube Ice Machines up to 130 kg



### Features

Prodigy® undercounter cubers use **significantly less energy and water** than other cube ice machines, exceeding Federal energy efficiency regulations.

**AutoAlert™ control panel** can communicate operating status and signal when it's time to descale, sanitize, and more—making upkeep easier.

The patented **WaterSense adaptive purge control** delivers maximum reliability by reducing scale buildup for a longer time between cleanings.

All external panel components are crafted for **optimal aesthetic appeal** through superior fit and finish.

**Preventative maintenance is simpler** than ever with easily-removed door, top panel and storage bin allowing clear access to all internal components and a diagnostic code display insuring the right fix the first time.

Front removable air filter.

### Technologies



Front Air Filter

		24h								
		21°C : 10°C			32°C : 21°C					
		[kg]	[lb]	N°*	[kg]	[lb]	N°*	[kg]	[lb]	N°*
CU 3030 MA		130	287	13000	84	185	8400	50	110	5000
CU 3030 SA		130	287	26000	84	185	16800	50	110	10000

\*Estimate number of cubes.

[V/Hz/ph]  
220-240/50/1

R404A

[WxDxH mm]  
762 x 762 x 838  
[WxDxH inches]  
30" x 30" x 33"

This product qualifies for the following listings:



5 g  
Small Cube  
22 x 22 x 9.5 mm  
7/8" x 7/8" x 3/8"

10 g  
Medium Cube  
22 x 22 x 22 mm  
7/8" x 7/8" x 7/8"

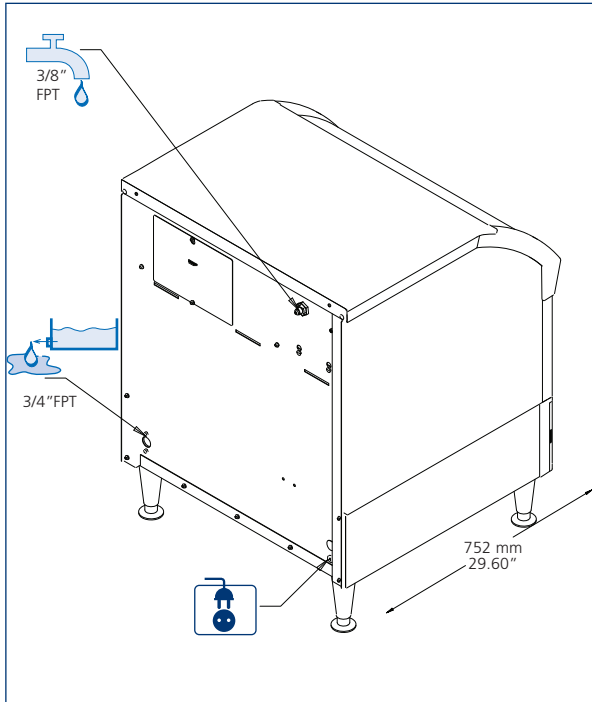
**2** Years Warranty

Subject to certain limitations and exclusions

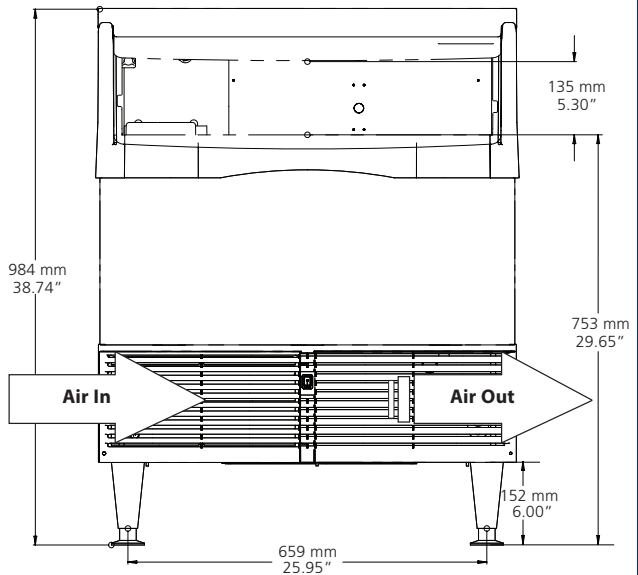
Certified ISO 9001:2008

[www.scotsman-ice.it](http://www.scotsman-ice.it)  
[www.scotsman-ice.com](http://www.scotsman-ice.com)

## Prodigy® Cube Ice Machines up to 130 kg



Installation note: allow 152 mm space at back for utility connections.



CU3030 front view

Minimum		Maximum
10°C (50°F)		40°C (100°F)
5°C (40°F)		35°C (95°F)
-10%		+10%
1 bar 14 psi		5 bar 70 psi

	+C° -C°	[Btu/h] [W]	[Ømm²]	[W]	FUSE	100 kg [kWh] - 100 kg	[l/h]	32°C 90°F 21°C 70°F	[kg] [lb]	[kg] [lb]
CU3030MA		5200 1500	3 x 1,5	n.a.	15 A	19	4,4	1,1	79 175	91 200
CU3030SA		5200 1500	3 x 1,5	n.a.	15 A	19	4,4	1,1	79 175	91 200

**IMPORTANT NOTICE:**  
Models and specifications are subject to change without notice.  
This spec sheet is meant for commercial purpose only.  
For technical documentation please refer to our service manuals.

[www.scotsman-ice.it](http://www.scotsman-ice.it)  
[www.scotsman-ice.com](http://www.scotsman-ice.com)

**Scotsman®**  
Ice Systems