



Project _____
 AIA # _____ SIS # _____
 Item # _____ Quantity _____ C.S.I. Section 114000



PW10 Pot, Pan & Utensil Washer



STANDARD FEATURES

- + Timed wash cycles; racks per hour: 20 (2 minute wash), 12 (4 minute wash), 8 (6 minute wash)
- + 1.2 gallons of water per cycle
- + NSF rated timed wash cycles for 2-4-6 minutes
- + Hot water sanitation machine
- + Sense-A-Temp™ booster heater capable of 70° rise
- + Front loading, split-door configuration
- + Chamber accepts 10 full-sized sheet pans, or 140 quart mixing bowl
- + Advanced service diagnostics
- + 16 gauge stainless steel deep drawn tank
- + Microcomputer controls with advanced digital cycle/temperature display
- + Two revolving upper and lower anti-clogging wash arms and rinse arms
- + Removable stainless steel scrap screens and scrap basket
- + Corrosion resistant pump
- + Automatic pumped drain
- + Pumped rinse
- + 33.79"H x 26.19"W door opening
- + Automatic fill
- + Electric tank heat
- + Spray hose (12')
- + Rack size: 23.717"W x 26.85"D x 2.268"H

OPTIONS & ACCESSORIES (Available at extra cost)

- Pressure regulator valve
- DWT-PW drain water tempering kit
- Steam pan rack
- Door lowering kit
- Heavy duty roll-in rack
- 12 pan rack (must be equipped with heavy duty roll-in rack)
- Water hammer arrestor kit

SPECIFIER STATEMENT

Specified dishwasher will be Hobart PW10 Pot/Pan/Utensil Washer, front loading with split door design, (10) pan capacity, over/under rotating arms, 2/4/6 minute adjustable cycles, up to (20) racks/hour, includes: (1) flat grid, (1) tray rack & (1) flat bottom rack, pre-rinse spray hose, sanitizing with Sense-A-Temp™ 70° rise booster, vent fan control, pumped drain, stainless steel construction, 208-240v/60/3-ph & 480v/60/3-ph, NSF, ENERGY STAR®.

1 year parts and labor warranty.

PW SERIES – PW10

Approved by _____ Date _____ Approved by _____ Date _____

LEGEND

Electrical Connections	
E1	Electrical connection (including electric heat) 1-1/4" conduit hole, 7-1/16" AFF.
Plumbing Connections	
P1	Hot water connection incoming: 110°F water minimum. 3/4" female garden hose fitting on 6' long hose supplied with machine. 7-3/4" AFF.
P2	Drain connection: 7/8" barb fitting, 27-3/8" AFF. 6' long 7/8" hose supplied with machine.

NOTE: Cold water connection at P2 (as needed when optional drain water tempering kit is included: 55-80°F recommended water, 1/2" MPT, 26-15/16" AFF.

WARNING: Plumbing and electrical connections should be made by qualified personnel who will observe all the applicable plumbing, sanitary, safety codes and National Electrical Code.

Plumbing Notes: Required flowing water pressure to the dishmachine is 15-65 PSIG. If pressures higher than 65 PSIG are present, a pressure regulating valve must be installed in the water line to the dishmachine (by others).

Recommended water hardness to be 3 grains or less for best results.

Pressure gauge not required on pumped rinse machines.

Miscellaneous Notes: Backflow prevention provided by NSF-approved air gap device. Single point electrical connection machines.

Electrical Specifications			
Voltage	Rated Amps	Minimum Supply Circuit Ampacity	Maximum Protective Device
208/240/60/3	47.6/53.0	60/70	60/70
480/60/3	28.6	35	35

Dishmachine not provided with internal GFCI protection.

All dimensions taken from floor line may increase 1-1/2" depending on leg adjustment.

SPECIFICATIONS

Capacities

Wash Time Settings (minutes)	2, 4, 6
Racks per Hour	20 (2 min. wash), 12 (4 min. wash), 8 (6 min. wash)
Tank Capacity – Gallons	21

Motor Horsepower

Wash	4.0
Rinse	0.33

Water Consumption

U.S. Gallons per Cycle	1.2
U.S. Gallons per Hour (maximum use)	.24
Peak Drain Flow – U.S. Gallons (gallons per minute)	18

Temperatures °F

Wash	150
Rinse	180
Incoming Water Temperature (minimum recommended)	110

Heating

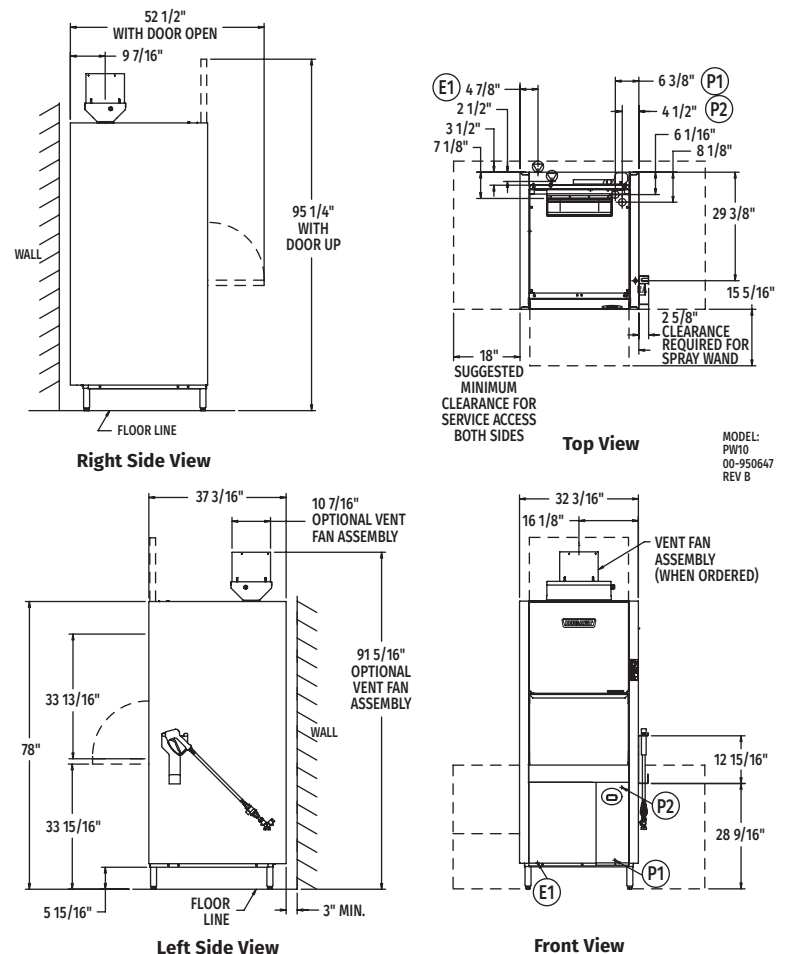
Tank Heat, electric (kW)	16.4
Electric Booster (kW)	16.4

Standard 20" x 20" (508 x 508) Rack Complement

Trat Rack (10 pan each)	1
Flat Grid	1
Flat Bottom	1

Shipping Weight (approximate)387 lbs.

Crated Dimensions. 79 1/8"H x 40 1/4"W x 40"D



As continued product improvement is a policy of Hobart, specifications are subject to change without notice.

[CAD and/or Revit Files Available](#)