



T&S BRASS AND BRONZE WORKS, INC.
 2 SADDLEBACK COVE / P.O. BOX 1088 / TRAVELERS REST, SC 29690
 PHONE 800-476-4103 FAX 864-834-3518



Model No.

B-0519

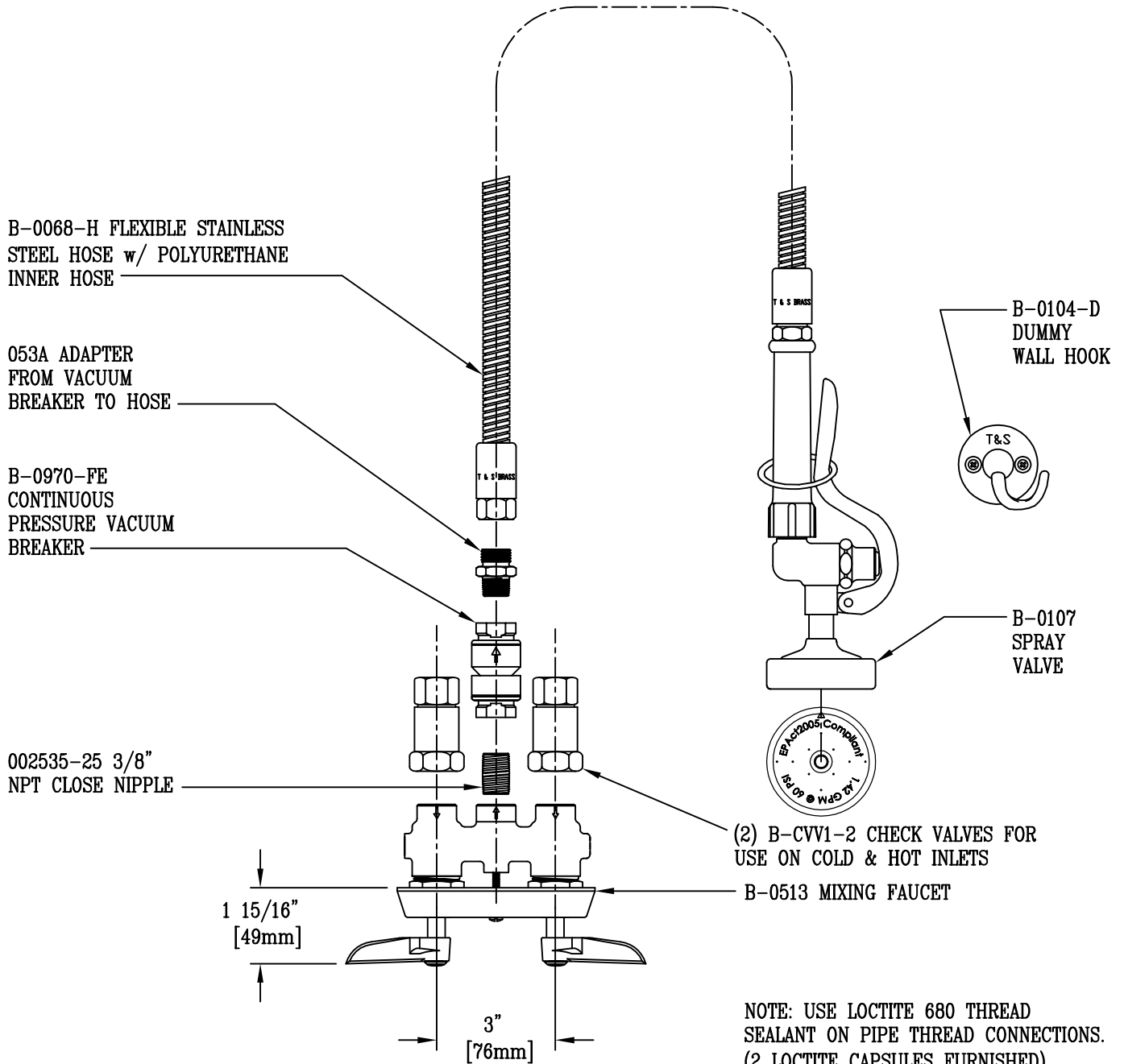
Item No.:

Job Name:

Architect/Engineer Approval:

Notes:

EPA2005 COMPLIANT



Product Description:

(2) B-CW1-2, B-0513, 002535-25, 053A, B-0068-H, B-0107, B-0104-D

Drawn:

RJK

Approved

JHB

Checked

JRM

Scale:

1 : 4

Date:

01-04-06