

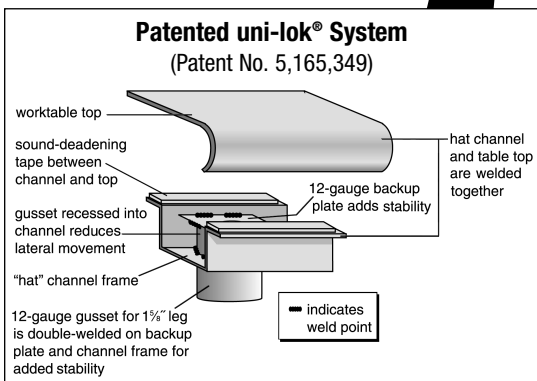
# Specification Sheet

## Short Form Specifications

BlendPort® worktables, Deluxe series, model \_\_\_\_\_.  
Top constructed of 16 gauge 300 series stainless steel with 1½" roll on front and rear, and sides turned down 90°. Open front with 1½" O.D. stainless steel tubular crossbracing on sides and rear. Top reinforced with welded hat channels and sound deadened. Constructed with uni-lok® patented gusset system with the gussets recessed into the hat channels to reduce lateral movement. Legs are 1½" O.D. stainless steel tubing, with stainless steel gussets and 1" stainless steel adjustable bullet feet.



worktable with flat top and tubular base  
— shown with optional drawer



Item No.:	_____
Project No.:	_____
S.I.S. No.:	_____

## Worktables with Flat Top and Stainless Steel Tubular Base —Deluxe Series

### MODELS:

- |                                       |                                       |                                       |
|---------------------------------------|---------------------------------------|---------------------------------------|
| <input type="checkbox"/> BPT-2424STEB | <input type="checkbox"/> BPT-2484STEB | <input type="checkbox"/> BPT-3060STEB |
| <input type="checkbox"/> BPT-2430STEB | <input type="checkbox"/> BPT-2496STEB | <input type="checkbox"/> BPT-3072STEB |
| <input type="checkbox"/> BPT-2436STEB | <input type="checkbox"/> BPT-3024STEB | <input type="checkbox"/> BPT-3084STEB |
| <input type="checkbox"/> BPT-2448STEB | <input type="checkbox"/> BPT-3030STEB | <input type="checkbox"/> BPT-3096STEB |
| <input type="checkbox"/> BPT-2460STEB | <input type="checkbox"/> BPT-3036STEB |                                       |
| <input type="checkbox"/> BPT-2472STEB | <input type="checkbox"/> BPT-3048STEB |                                       |

### Tabletop

- Patented uni-lok® gusset system (patent #5,165,349): gussets are recessed into hat channel, reducing lateral movement.
- Top reinforced with welded-on hat channel.
- Sound-deadened between top and channels.
- 1½" (38mm)-diameter 180° rolled edges on front and rear. Ends are turned down 90°, providing for flush installations when required.
- 16 gauge 300 series polished stainless steel.

### Crossbracing—1½" (38mm)-diameter

- Heavy gauge stainless steel.
- Aluminum castings join crossbraces, legs and rear brace.

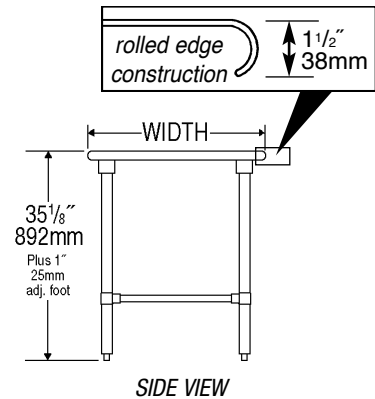
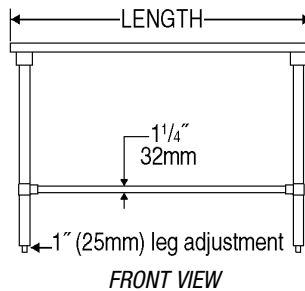
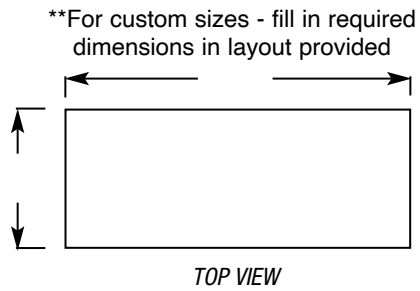
### Legs—1½" (41mm)-diameter

- Tables 96" (2438mm) and longer come with six legs or more.
- Heavy gauge stainless steel.
- 1" (25mm) adjustable stainless steel feet\*.

\* Optional casters available. Consult factory.

Item No.: \_\_\_\_\_  
 Project No.: \_\_\_\_\_  
 S.I.S. No.: \_\_\_\_\_

# Worktables with Flat Top and Stainless Steel Tubular Base —Deluxe Series



model #	# of legs	width		length		weight	
		in.	mm	in.	mm	lbs.	kg
BPT-2424STEB	4	24"	610	24"	610	46	20.9
BPT-2430STEB	4	24"	610	30"	762	53	24.0
BPT-2436STEB	4	24"	610	36"	914	55	25.0
BPT-2448STEB	4	24"	610	48"	1219	62	28.1
BPT-2460STEB	4	24"	610	60"	1524	82	37.2
BPT-2472STEB	4	24"	610	72"	1829	84	38.1
BPT-2484STEB	4	24"	610	84"	2134	134	60.8
BPT-2496STEB	6	24"	610	96"	2438	159	72.1
BPT-3024STEB	4	30"	762	24"	610	56	25.4
BPT-3030STEB	4	30"	762	30"	762	57	25.9
BPT-3036STEB	4	30"	762	36"	914	64	29.0
BPT-3048STEB	4	30"	762	48"	1219	74	33.6
BPT-3060STEB	4	30"	762	60"	1524	85	38.6
BPT-3072STEB	4	30"	762	72"	1829	107	48.5
BPT-3084STEB	4	30"	762	84"	2134	134	60.8
BPT-3096STEB	6	30"	762	96"	2438	172	78.0