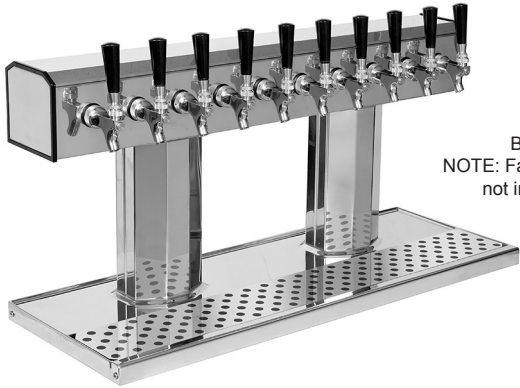


Project: _____	AIA# _____
Item #: _____ Qty: _____	SIS# _____
Model #: _____	

Tee Towers



BT-10
 NOTE: Faucet handles not included.



03012383
 Rinser Faucet Assembly



Intertek

4004503

Conforms to NSF/ANSI STD 18



Intertek

4004503

Conforms to NSF/ANSI STD 372

BT- - -

Size: Specify the number of faucets from 4, 5, 6, 8, 10, 12

Finish:
 SS = Grainline
 MF = Mirror
 PB + Brass

Standard Features

- All stainless steel construction
- Integral surface mount drain pan with lift-out perforated insert
- 1/4" shanks with 3/16" restriction lines
- All models include all stainless steel faucets and shanks
- Available with eco friendly foamed-in-place cold plate assembly for recirculating system. Eco friendly foamed-in-place insulation has zero impact on global warming or ozone depletion.
- Unique internal support system for solid mounting
- Base plate serves as template for hole cutting

Configurable Options

- 4, 5, 6, 8, 10, and 12 faucets
- Grainline, mirror, or brass finish (*NOTE: Brass finish towers provided with mirror finish drain pan and brass finish perforated insert)
- Air cooled for direct-draw system or glycol cooled for recirculating system
- Rinser faucet extension to the left or right of the drain pan; specify RFE option

Optional Rinser Faucet

Installation Notes

- Unit does not provide a 1" air gap
- Must be installed with external backflow prevention to meet applicable federal, state, and local plumbing code requirements.
- Install in-line water pressure regulator (included)
- A separate shut-off valve is recommended (not included)

NOTE: Rinser faucets are not intended for use with towers mounted to a refrigerator due to risk of water line freeze up.

To view cleaning and care instructions, please visit:
https://www.glastender.com/PDF/F-423-011_ss_clean_care.pdf

Specifications

Drains

- Drain pan models - 1/2" tailpiece

Materials

- 20 gauge stainless steel parts include: head, column, drain pan, and perforated inserts
- 16 gauge galvanized steel parts include: subsurface head stiffener and base plate
- 11 gauge stainless steel parts include: inner column base and top plate and tower head mounting plate

Shank Sizes

- 1/4" I.D. with 3/16" fittings

Rinser Faucet (optional)

- Accepts 3/8" cold water lead
- 30 psi water pressure regulator included
- 1.2 gallons per minute

Glastender, Inc. • 5400 N Michigan Rd • Saginaw, MI • 48604-9780 989.752.4275 • 800.748.0423 • Fax 989.752.4444 www.glastender.com	Approval/Notes:
---	-----------------

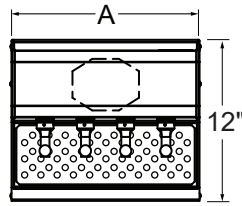
Specifications subject to change without notice. For current specifications please visit our website.

Tee Towers

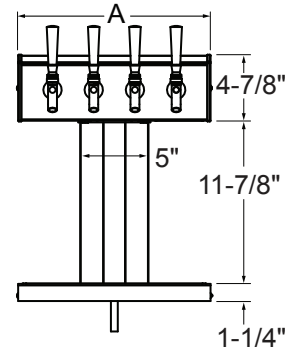
Drawings

NOTE: Faucet handles not included.

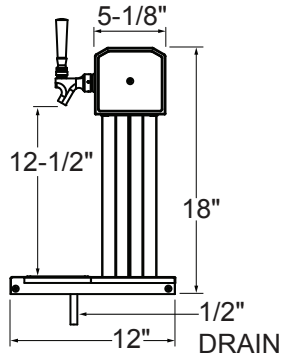
SINGLE COLUMN TEE TOWER			
FAUCETS	4	5	6
"A" WIDTH	14"	17"	20"



BT PLAN VIEW

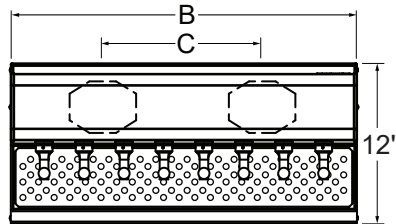


BT FRONT ELEVATION

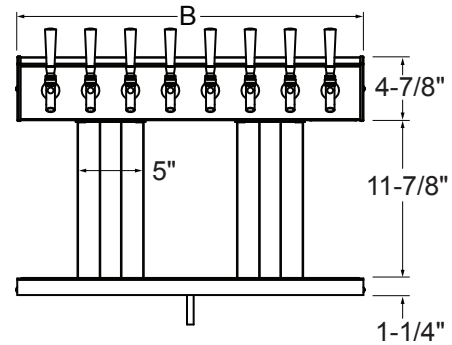


BT SIDE ELEVATION

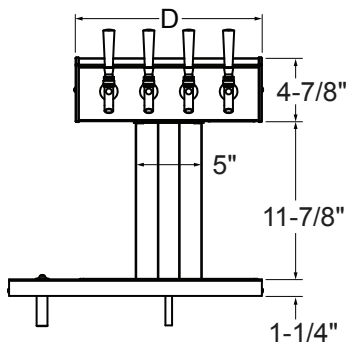
DOUBLE COLUMN TEE TOWER			
FAUCETS	8	10	12
"B" WIDTH	26"	32"	38"
"C" WIDTH	12"	15"	18"



BT PLAN VIEW



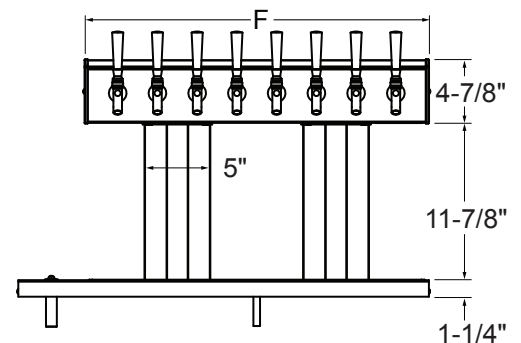
BT FRONT ELEVATION



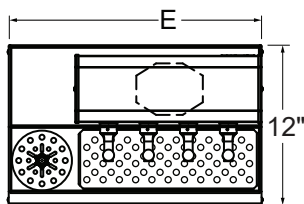
BT -RF FRONT ELEVATION

TEE TOWER W/RINSER FAUCET SINGLE COLUMN			
FAUCETS	4	5	6
"D" WIDTH	14"	17"	20"
"E" WIDTH	19"	22"	25"

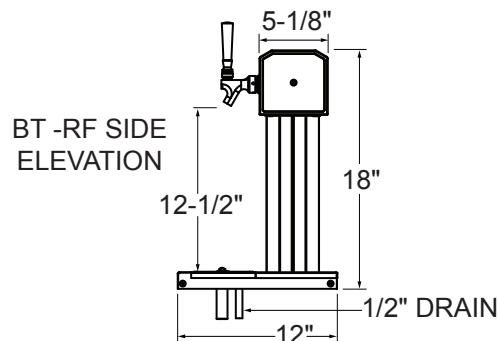
DOUBLE COLUMN			
FAUCETS	8	10	12
"F" WIDTH	26"	32"	38"
"G" WIDTH	31"	37"	43"
"H" WIDTH	12"	15"	18"



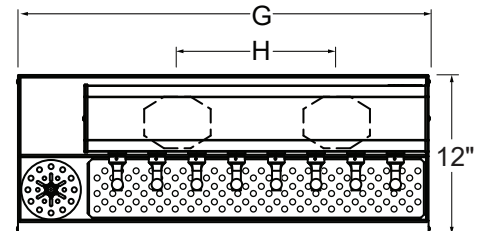
BT -RF FRONT ELEVATION



BT -RF PLAN VIEW



BT -RF SIDE ELEVATION



BT -RF PLAN VIEW