



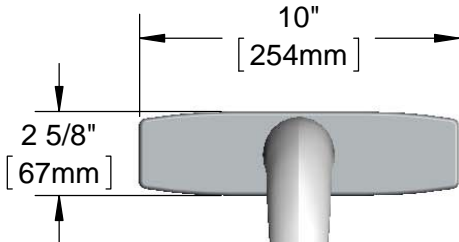
T&S BRASS AND BRONZE WORKS, INC.
 2 Saddleback Cove / P.O. Box 1088
 Travelers Rest, SC 29690

Model No.
EC-3102-8DP
 Item No.

Travelers Rest, SC: 800-476-4103 • Simi Valley, CA: 800-423-0150 • Fax: 864-834-3518 • www.tsbrass.com



ADA Compliant



This Space for Architect/Engineer Approval

Job Name _____ Date _____

Model Specified _____ Quantity _____

Customer/Wholesaler _____

Contractor _____

Architect/Engineer _____

Solid Cast Brass Spout w/
 Polish Chrome Plated Finish
 and 2.2 GPM [8.3L/min]
 Vandal Resistant Aerator

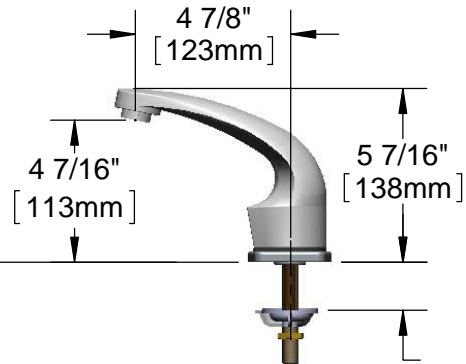
Polished Chrome
 Plated Deck Plate
 w/ Deck Gasket

24" [610mm]
 Sensor Cable

Removable
 Strainer

Mounting
 Surface

3 5/8" x 4 3/16" x 2" Deep
 [92mm x 106mm x 51mm]
 Water Resistant Control Module Box (Blue)
 w/ Internal Flow Control Setting Switches,
 AC or DC Operated w/ (4) AA Batteries.
 Hardwire Capable Using Terminals on Back



1 1/2"
 [38mm]
 [Maximum
 Thickness]

8"
 [203mm]

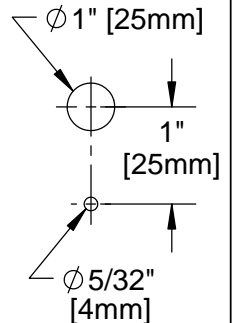
1/2" NPSM x 1/4" NPSM
 18" [457mm] Flexible
 Stainless Steel Hose

Temperature Mixing Valve
 w/ Integral Check Valves

100-240 VAC Adapter
 w/ 71" [1800mm] Power
 Cord. (Remove Rubber
 Plugs on Module and
 Cable to Connect)

(2) 3/8" Compression x 1/2" NPSM
 18" [457mm] Flexible Stainless Steel
 Supply Hose

Mounting Hole
 Detail



Product Specifications:

Chrome Plated Brass Electronic Deck Faucet: Single Hole Deck Mount w/
 8" Centerline Deck Plate, Spout w/ VR Aerator, AC/DC Control Module w/
 Internal Flow Cont. Setting Switches, Temperature Cont. Mixing Valve w/
 Integral Check Valves, 18" Hot & Cold Supply Stop Flexible Connector Hoses

Product Compliance:

ASME A112.18.1 / CSA B125.1
 NSF 61 - Section 9
 NSF 372 (Low Lead Content)
 ANSI A117.1 (ADA)
 UL 1951



T&S BRASS AND BRONZE WORKS, INC.

2 Saddleback Cove / P.O. Box 1088
Travelers Rest, SC 29690

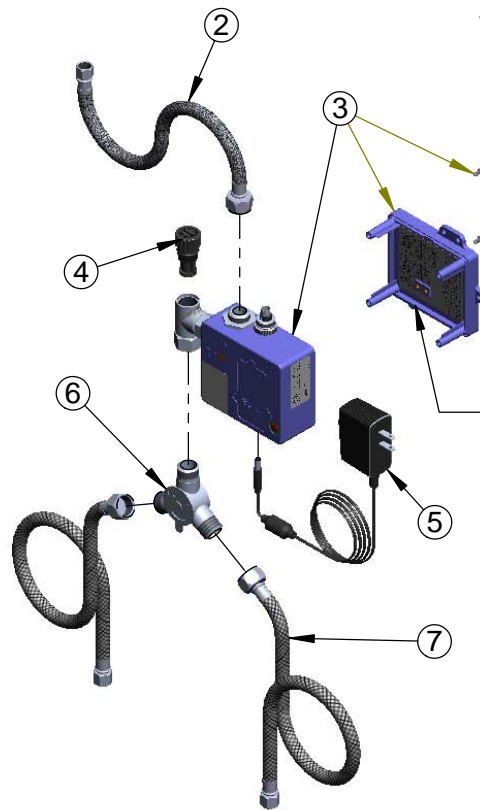
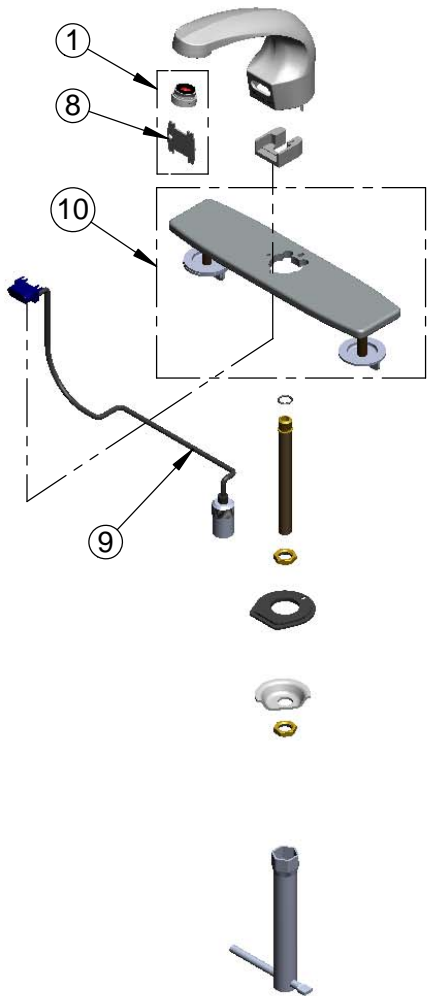
Model No.

EC-3102-8DP

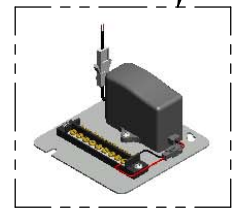
Item No.

Travelers Rest, SC: 800-476-4103 • Simi Valley, CA: 800-423-0150 • Fax: 864-834-3518 • www.tsbrass.com

ITEM NO.	SALES NO.	DESCRIPTION
1	B-0199-08	VR 2.2 GPM Aerator, 13/16-27 UN Male w/ Key
2	016297-45	Inlet Hose, Faucet, 1/2" NPSM-F x 1/4" NPSM-F
3	016647-45	ChekPoint Module (Blue)
4	EC-FILTER	Replacement Filter
5	5EF-0002	Plug-in A/C Transformer
6	5EF-0006	Mechanical Mixing Valve
7	5EF-0005	Supply Hose, 9/16-24 Female x 1/2" NPSM
8	015425-45	Vandal Resistant Key
9	017195-45	Angled Sensor w/ Cable
10	013434-40	8" Universal Deck Plate, Gasket & Mounting Hardware



A Maximum of (8) ChekPoint Faucets can be Hardwire Connected and Powered by EC-HARDWIRE ChekPoint Hardwire AC Transformer. (Sold Separately)



Label for Flow Control Switch Settings is Located on Inside of Back Cover.

Flow Control Switches are Located Inside Module Housing in Black Box Next to Battery Compartment.
*Switches are Set to DEFAULT Position:
- Auto Time Out = 15 Seconds
- Shut Off Delay = 1 Second
- Auto Flush = OFF

Remove (4) Screws and Back Cover to Access Switches.

***Available Water Flow Control Selections:**

- Auto Time Out: 15 sec, 30 sec, 45 sec, 60 sec, 3 min, 20 min
- Shut Off Delay: 1 sec, 10 sec, 15 sec, 30 sec
- Auto Flush (30 Seconds After Every 12 Inactive Hours): ON or OFF

Product Specifications:

Chrome Plated Brass Electronic Deck Faucet: Single Hole Deck Mount w/ 8" Centerline Deck Plate, Spout w/ VR Aerator, AC/DC Control Module w/ Internal Flow Cont. Setting Switches, Temperature Cont. Mixing Valve w/ Integral Check Valves, 18" Hot & Cold Supply Stop Flexible Connector Hoses

Product Compliance:

ASME A112.18.1 / CSA B125.1
NSF 61 - Section 9
NSF 372 (Low Lead Content)
ANSI A117.1 (ADA)
UL 1951