



STAINLESS STEEL
MICROWAVE SHELVES
 Wall Mounted



Item #: _____ Qty #: _____
 Model #: _____
 Project #: _____



Model #	Size W x L	Approx. Wt.	Approx. Cu. Ft.
MS-18-24-EC-X	18" x 24"	27 lbs.	5
MS-20-30-EC-X	20" x 30"	36 lbs.	5
MS-24-24-EC-X	24" x 24"	32 lbs.	5

CONSTRUCTION:

All TIG welded.
 Exposed surfaces polished to a satin finish.

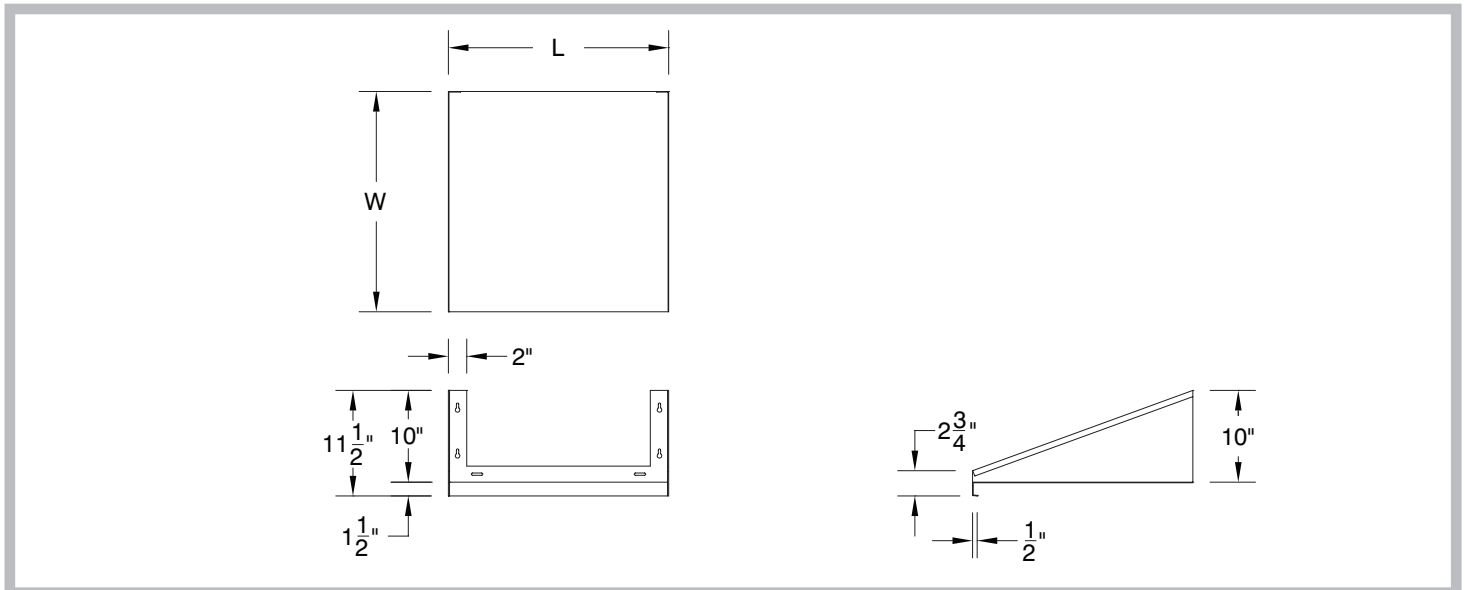
MATERIAL:

18 gauge type "430" stainless steel.

DETAILS and SPECIFICATIONS

TOL ± .500"

ALL DIMENSIONS ARE TYPICAL



Customer Service Available To Assist You 1-800-645-3166 8:30 am - 8:00 pm E.S.T.

For Orders & Customer Service:
 Email: customer@advancetabco.com or Fax: 631-242-6900

For Smart Fabrication™ Quotes:
 Email: smartfab@advancetabco.com or Fax: 631-586-2933