



DRIP TRAY

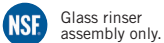
WALL MOUNT 24" WITH GLASS RINSER

- Add European style while creating dispense excitement.
- Condition the glass before pouring – invert glass, push down on sprayer for cold water rinsing.
- Easy installation: beverage shanks mount through and secure tray to wall.
- Welded corners, finished smooth for safety and appearance.



DP-322ELD-6GR

Brushed Stainless Steel



Glass rinser
assembly only.

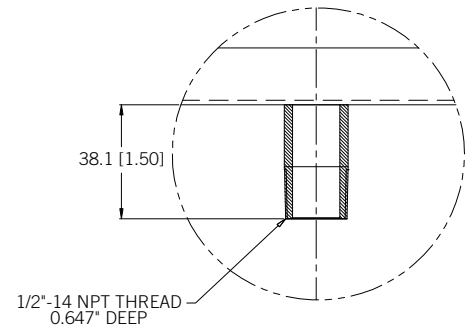
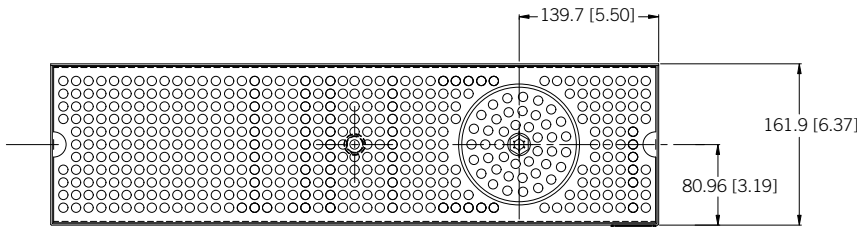
Part No.	Dimensions	Description	Shipping Weight
 DP-322ELD-6GR	24" Width	6 Holes	TBD

Rinsers Water Inlet Installation

- Always check local plumbing codes first.
- Install in-line water regulator set at 15 PSI from the street water supply.
- Install a shutoff on the rinsers water supply.

NOTE: It is recommended a licensed plumber connect the glass rinsers to the water supply line. Always use an in-line shut-off and water pressure regulator. Micro Matic shall not be held liable for damage caused by improper installation.

Dimensions



DETAIL "A" DRAIN
FULL SCALE

