

Project: _____

Item: _____

Quantity: _____

Mat Carts



99360
All-Welded Cart

Labor saving mobile mat carts keep mats off the floor for easy, efficient cleaning.

- Hooks secure perforated mats for storage and cleaning.
- Ideal for power washing mats on the cart.
- Model 99360 is equipped with horizontal bars that hold solid mats
- Model 51087 provides space to hold a waste container and is designed to “knock down”.
- Five-Year Guarantee against material defects and workmanship.
- Lifetime Guarantee against rust and corrosion.



51087
Knocked Down Cart

► Mat Cart

Model No.	Size W-H-D	Weight Capacity	Ship Lbs.
All Welded			
99360	41½" x 40" x 27½"	500 lbs.	40
Four 5" plate type swivel casters, two with brake.			
Knocked Down			
51087	24" x 45¼" x 36"	500 lbs.	37
Four 5" plate type swivel casters with brake.			



New Age Industrial Corp., Inc. || NewAgeIndustrial.com || Made in the USA

PO Box 520 • 16788 US Hwy 36 • Norton, Kansas 67654 || Phone: (800) 255-0104 • (785) 877-5121 || Fax: (877)-877-7687 • (785) 877-2616

This information is for general sales and engineering use only. New Age Industrial reserves the right to modify or make changes at any time, without notice, to materials and specifications.

September 19, 2023 • Printed in the USA.

Project: _____

Item: _____

Quantity: _____

Mat Carts & Rack

MATERIAL:

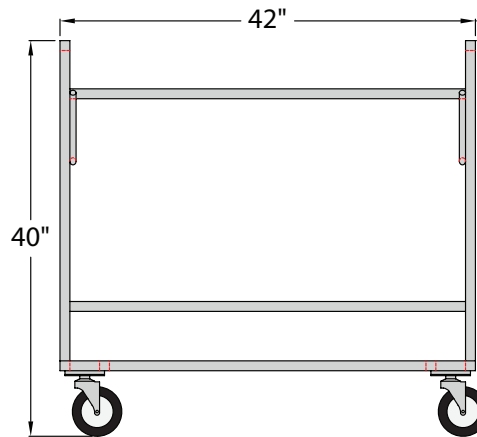
- Framework is constructed of 1" x 1" x .070" wall tubing.
- Mat hangers are constructed of 5/8" diameter aluminum rod.

CASTERS:

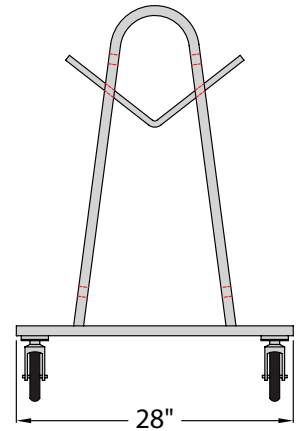
- Equipped with four 5" plate type swivel casters, two with brake.

GUARANTEES:

- Lifetime Guarantee against rust and corrosion.
- Five-Year Guarantee against workmanship and material defects.



99360
All-Welded Cart



MATERIAL:

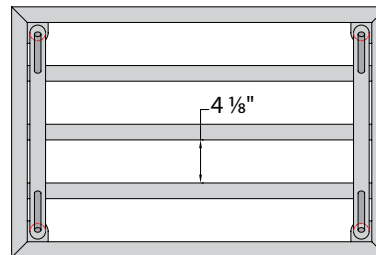
- Framework is constructed of 1 1/2" x 2" x .070" wall tubing.
- Collars welded in place to accept 1 1/2" diameter pipe uprights.
- Mat hangers are constructed of 5/8" diameter aluminum rod.

CASTERS:

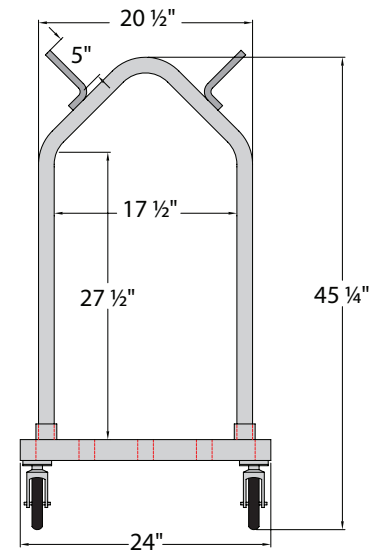
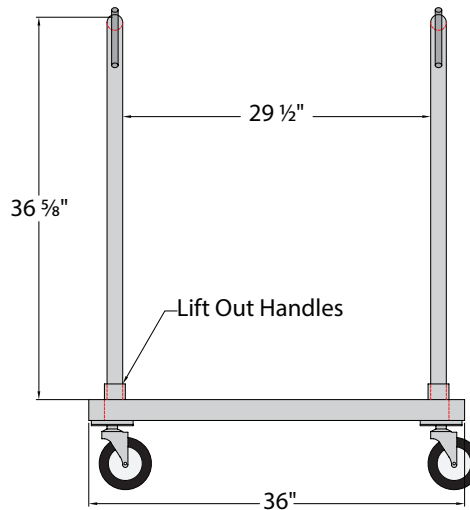
- Equipped with four 5" plate type swivel casters with brakes.

GUARANTEES:

- Lifetime Guarantee against rust and corrosion.
- Five-Year Guarantee against workmanship and material defects.



51087
Knocked Down Cart



New Age Industrial Corp., Inc. || NewAgeIndustrial.com || Made in the USA

PO Box 520 • 16788 US Hwy 36 • Norton, Kansas 67654 || Phone: (800) 255-0104 • (785) 877-5121 || Fax: (877)-877-7687 • (785) 877-2616

This information is for general sales and engineering use only. New Age Industrial reserves the right to modify or make changes at any time, without notice, to materials and specifications.