

SaniServ®



MADE IN USA

MODEL 704



224
FROZEN
COCKTAILS/HR

A FROZEN BEVERAGE INDUSTRY LEADER

The SaniServ® model 704 frozen beverage freezer is perfect for providing a high volume of frozen drinks for the busiest applications and operating hours! The 704 has the highest production capability in the frozen beverage industry! With its quick product freezing and recovery time, along with heavy-duty design, large capacity freezing barrel and product reservoir, the 704 can provide perfect frozen drinks every time!

MODEL 704

AccuFreeze[®] CONTROL

Job: _____

Item No. _____



DESIGNED FOR HIGHEST VOLUME APPLICATIONS

28 Gallons per Hour - 35 Quart Capacity

Use SaniServ[®] Model 704 to Create



About the 704



Cooling Options



Dimensions: Width (20.5") Depth (31.1")
Height (32.8") Weight (310 lbs)

Electrical Requirements:

208-230/60/1 = 25 Amps

208-230/60/3 = 20 Amps

Serving Estimate:

Up to 224 Frozen Cocktails / hr

We reserve the right to change specifications and product designs without notice. Such revisions do not entitle the buyer to corresponding changes, improvements, additions, or replacements for previously purchased equipment.



✓ SPACE SAVING - *Small Footprint Design*

SaniServ[®] model 704 provides super high production while saving valuable floor space by utilizing the countertop design. With the 704, there is no need to purchase a floor model type machine to attain high production capacity and capability.

✓ EASY CLEANING AND OPERATION - *Fewer Parts = Simplified Cleaning*

SaniServ[®] equipment is designed and built with the fewest parts to be disassembled, cleaned and sanitized than any other machine in the industry. The state of the art solid-state AccuFreeze[®] control insures product consistency, worry-free operation and customer satisfaction.

✓ HIGH RETURN ON INVESTMENT - *Increased Profits*

SaniServ[®] machines combine efficiency with consistent product quality and fast, quiet operation while insuring customer satisfaction with high profit frozen beverages.

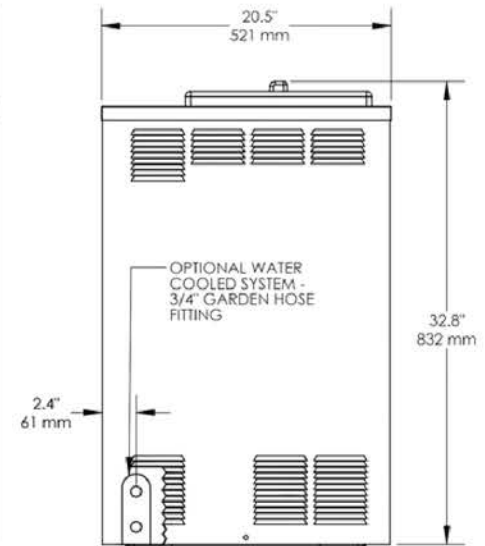
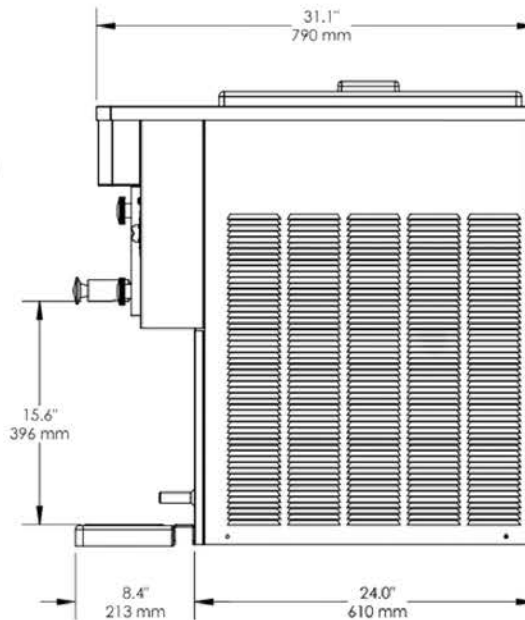
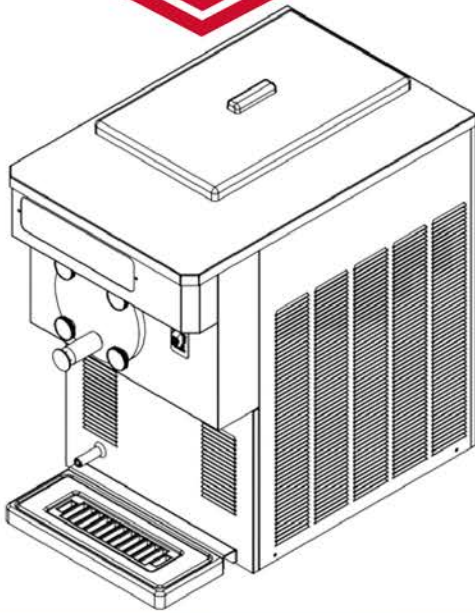
✓ QUALITY DESIGN - *Durability*

SaniServ[®] machines are built to achieve long and dependable life through simplicity of design. Every machine is shipped standard with a stainless steel exterior, durable steel interior frame construction, heavy-duty components and consistency systems.

MODEL 704

AccuFreeze[®] CONTROL

Minimum Wall Clearance
Both Sides and Back
6 inches (152 mm)



ELECTRICAL				WIDTH	HEIGHT	DEPTH	WEIGHT	VOLUME
VOLTS	Hz	Ph.	Amps	INCHES (MM)	INCHES (MM)	INCHES (MM)	LBS. (Kg)	CU FT. (cu. m.)
208-230	60	1	25	20.5 (521)	32.8 (832)	31.1 (790)	310 (141)	
208-230	60	3	20					
Shipping Specifications				31.5 (800)	40.5 (1029)	40.5 (1029)	395 (179)	29.9 (.84)

SPECIFICATIONS

Cooling System:

Air or Water

Dasher and Compressor

Motors:

1/2 HP Dasher
2 HP Compressor

Refrigerator Type:

R404A

Listings:

UL, cUL, NSF

FEATURES

Evaporator and Mix Reservoir

Capacity:
35 Quarts (33 liters)

Dasher:

Heavy-Duty Stainless Steel with low friction scraper blades.

Controls:

AccuFreeze[®] solid-state control for accurate product consistency.

Solid State Audio/Visual Mix Out System with Compressor Lockout

WARRANTY

Parts	1 year
Compressor	5 years
Evaporator	5 years

Options:

Drink Spinner
Tune Up Kit
Auto-fill Lid
Mounting Pad
Machine Stand
Water Cooled - 3/4" Garden Hose Fitting
Export Voltages
Remote Condenser*

*Requires a remote condensing unit