

Self-Contained Narrow Door Back Bar Refrigeration

Refrigeration



NS72-KSS-LRR

Standard Features

- 35" High without Top, 36" High with 1" Optional Top
- 24" Front to Back Depth (25" with Top)
- Coved corner stainless steel interior
- Heavy duty Self-Closing 20"W Narrow Doors
- Stainless steel door handles with built-in locks
- Digital thermostat
- Built-in Cool White LED Lighting (7000K)
- DynamicChill 360° Technology
- Heated mullion to minimize condensation
- Approved for NSF 7 Open Food Storage
- Pre-drilled bottom for optional legs or casters (uses 1/4-20 self tapping 1/2"L screw)
- Eco-friendly Refrigerant and Insulation
- 5-Year Compressor Warranty
- 1-Year Parts & Labor Warranty

Models

Model	Length	Doors	Weight	Amps	HP
NS52	52"	2-Door	300 lbs.	2.2	1/4
NS72	72"	3-Door	420 lbs.	2.2	1/4

Case Capacity

Model	NS52 (52")	NS72 (72")
Long Neck Bottles	13	21
Wine Bottles (ea)	126	180

Specifications

- 115 V, 1 Phase, 60 Hz
- Furnished with 8'-0" plug-in cord, which exits left or right rear of cooler
- Electrical**
 - NEMA 5-15P plug configuration
 - Dedicated 15 amp circuit recommended
 - 2 Door Units (52"): 2.2 amps, 1/4 HP
 - 3 Door Units (72"): 2.2 amps, 1/4 HP
- Refrigeration**
 - R290 Hydrocarbon Refrigerant
 - 30°F - 40°F operating range
 - Digital thermostat on front grille
- Plumbing**
 - No drain required
 - Condensate evaporator pan included
- Insulation**
 - 2" thick foamed-in-place polyurethane
- Interior**
 - 20 gauge stainless steel walls with coved corners
 - NSF epoxy coated durable shelves - one bottom and two adjustable shelves per door
- Exterior**
 - Sides: 20 gauge stainless steel
 - Front: 20 gauge stainless steel
 - Back: 20 gauge galvanized steel
 - Top: 20 gauge galvanized steel with option of 1" stainless steel top
- Doors**
 - Self-closing 20"W narrow doors available in black vinyl, stainless steel, glass with black vinyl, or glass with stainless steel
 - 15-3/4"W x 29-11/16"H door opening



This equipment is intended for the storage and display of non-potentially hazardous bottle or canned products only.

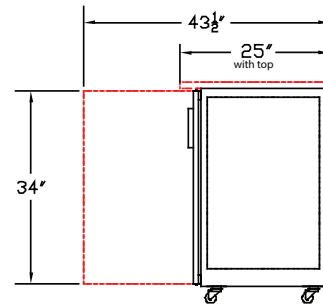
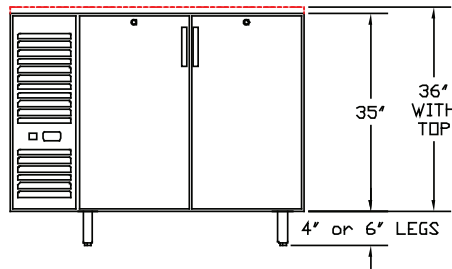
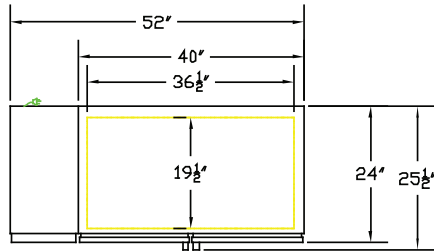
This equipment is intended for use in an area where the ambient temperature typically does not exceed 75 °F.

Self-Contained Narrow Door Back Bar Refrigeration

Refrigeration

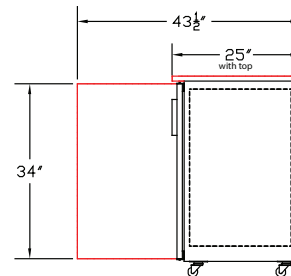
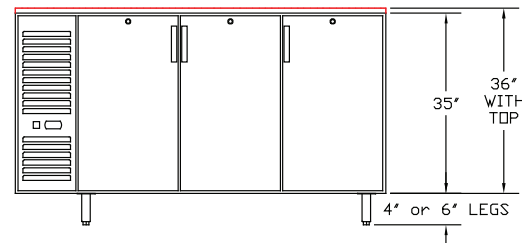
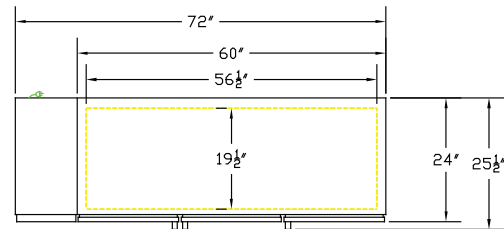
Two Door (52")

Models beginning NS52



Three Door (72")

Models beginning NS72



This equipment is intended for the storage and display of non-potentially hazardous bottle or canned products only.

This equipment is intended for use in an area where the ambient temperature typically does not exceed 75 °F.

Note: Optional casters raise height 1" higher than wheel size

Note: Optional 4" or 6" legs available