



T&S BRASS AND BRONZE WORKS, INC.

2 Saddleback Cove / P.O. Box 1088
Travelers Rest, SC 29690

Model No.

B-0512-0101

Item No.

Travelers Rest, SC: 800-476-4103 • Simi Valley, CA: 800-423-0150 • Fax: 864-834-3518 • www.tsbrass.com

This Space for Architect/Engineer Approval

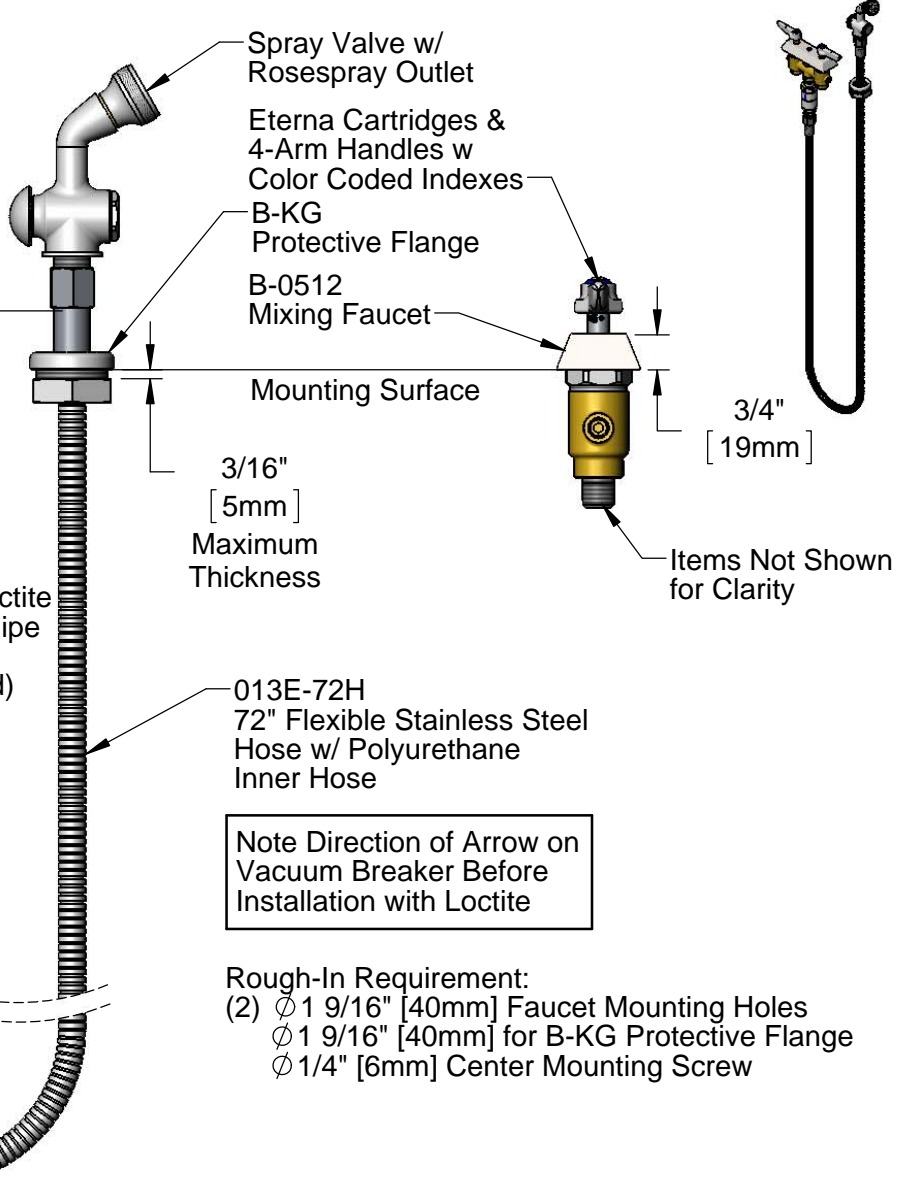
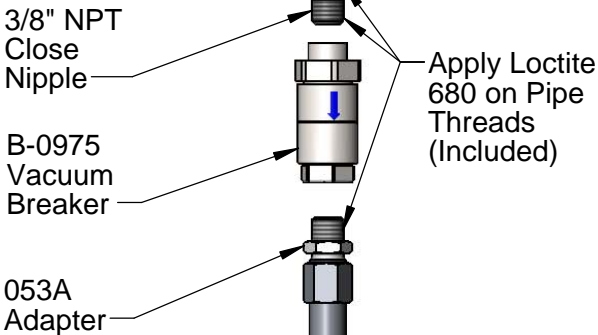
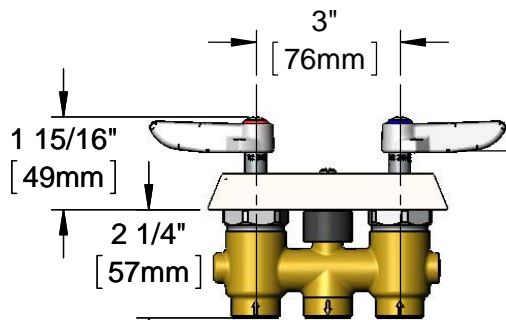
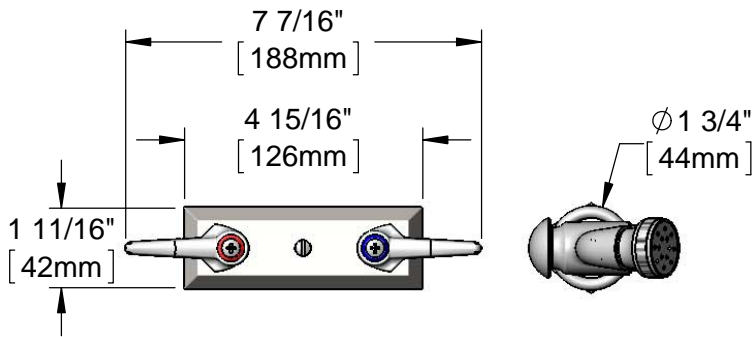
Job Name _____ Date _____

Model Specified _____ Quantity _____

Customer/Wholesaler _____

Contractor _____

Architect/Engineer _____



Note Direction of Arrow on Vacuum Breaker Before Installation with Loctite

Rough-In Requirement:
 (2) ϕ 1 9/16" [40mm] Faucet Mounting Holes
 ϕ 1 9/16" [40mm] for B-KG Protective Flange
 ϕ 1/4" [6mm] Center Mounting Screw

Product Specifications:
 3" Concealed Mixing Faucet w/ Lever Handles, Vacuum Breaker, Protective Flange, 72" Flexible Stainless Steel Hose & Spray Valve w/ Rosespray Outlet

Product Compliance:
 ASME A112.18.1 / CSA B125.1
 NSF 61 - Section 9
 NSF 372 (Low Lead Content)

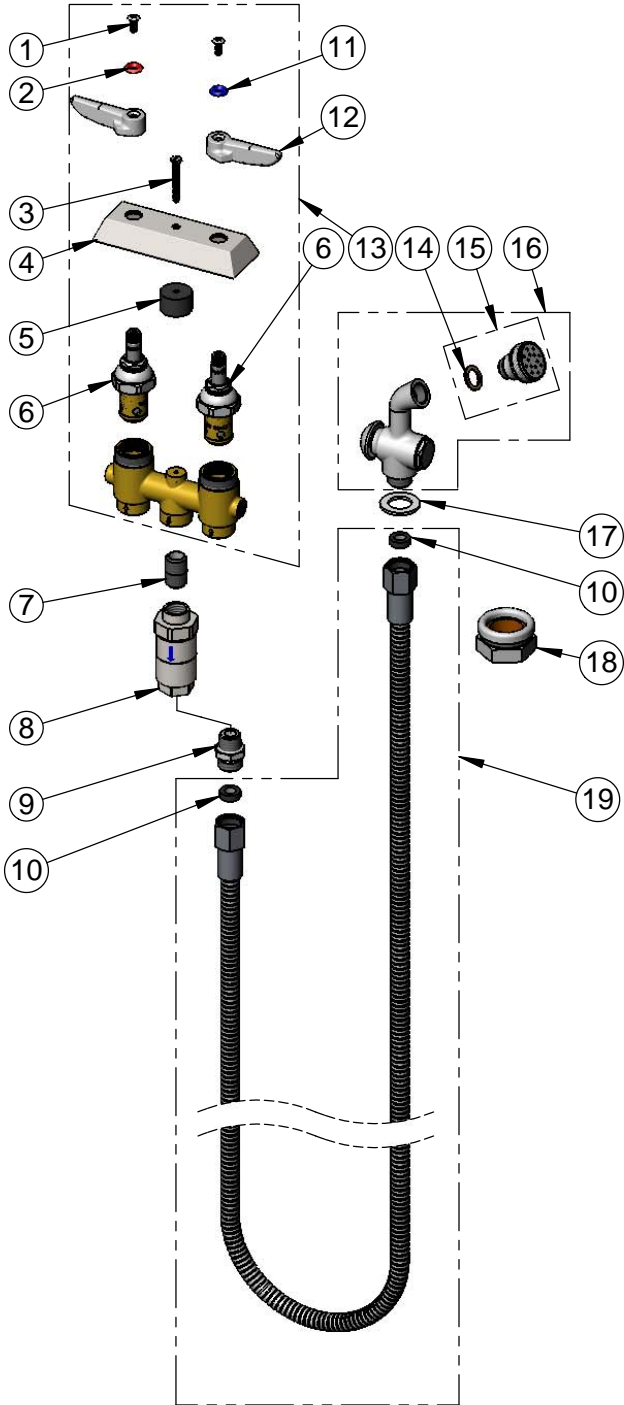


T&S BRASS AND BRONZE WORKS, INC.
 2 Saddleback Cove / P.O. Box 1088
 Travelers Rest, SC 29690

Model No.
B-0512-0101

Item No.

Travelers Rest, SC: 800-476-4103 • Simi Valley, CA: 800-423-0150 • Fax: 864-834-3518 • www.tsbrass.com



ITEM NO.	SALES NO.	DESCRIPTION
1	000922-45	Lever Handle Screw
2	001661-45	Red Index-HW
3	002819-45	Screw
4	000020-40	Escutcheon
5	015986-45	Spacer
6	006020-40	Eterna Cartridge, RTC
7	002535-25	3/8" Close Nipple
8	B-0975	Dual Check Valve Vacuum Breaker
9	053A	Adapter, 3/8" NPT x 3/4"-14UN
10	010476-45	#27 Washer
11	001660-45	Blue Index-CW
12	001638-45	Lever Handle
13	B-0512	Concealed Mixing Faucet
14	001043-45	Washer
15	B-0103	Spray Head Assembly
16	002857-40	Spray Valve w/ Rosespray Outlet
17	001010-40	Washer, Stainless Steel
18	B-KG	Protective Flange
19	013E-72H	72" Flexible Stainless Steel Hose

Product Specifications:
 3" Concealed Mixing Faucet w/ Lever Handles, Vacuum Breaker, Protective Flange, 72" Flexible Stainless Steel Hose & Spray Valve w/ Rosespray Outlet

Product Compliance:
 ASME A112.18.1 / CSA B125.1
 NSF 61 - Section 9
 NSF 372 (Low Lead Content)