

SERIES I 6" ROTOR

Commercial Food Waste Disposer

- Series "I" with 6" rotor has no floor support. Support leg is optional.
- It is designed primarily for the small restaurant kitchen or larger kitchen's salad preparation area
- Rugged construction
- Ideal for small church, snack bar, or elementary school where food waste volume is light.

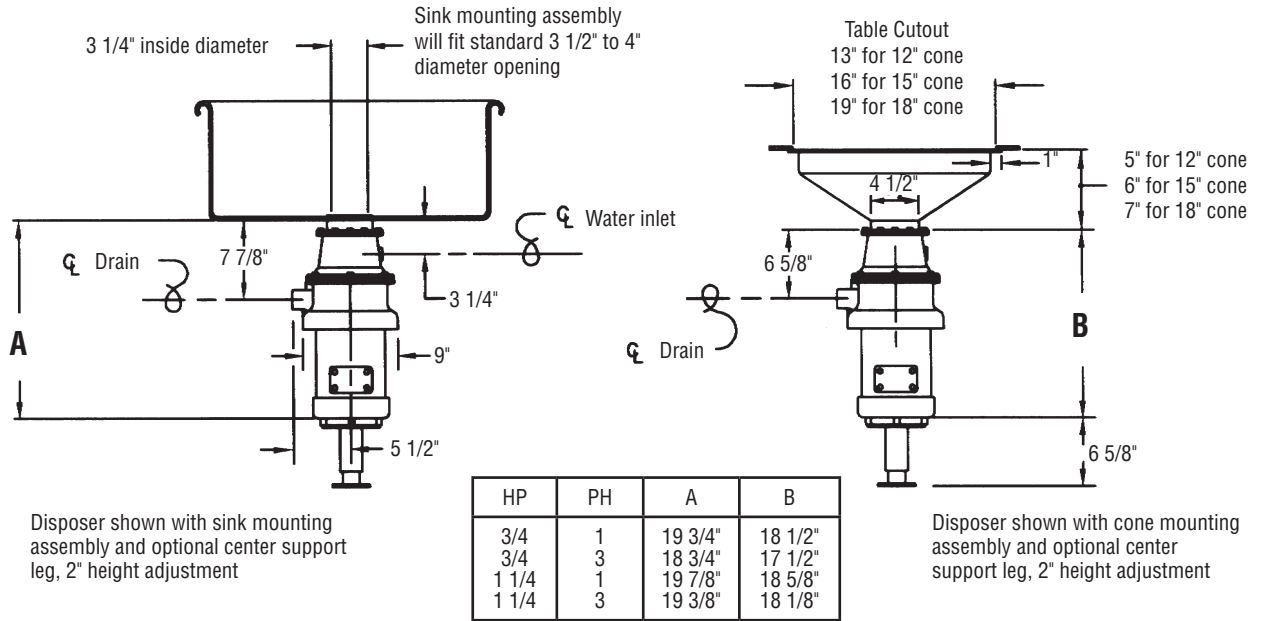
STANDARD FEATURES

- 1 1/4 HP motor

OPTIONS

- Stainless steel cone or sink attachment (includes vinyl silver trap ring, solenoid valve, flow control valve, vacuum breaker)
- 3/4 HP motor- light duty
- Cones 12", 15", 18"
- Support Leg

**AUTOQUOTES**



DESIGN AND CONSTRUCTION

- Waste chamber design permits dual directional operation when used with reversing control or switch, doubling the life cycle of the shattering mechanism.
- Basic body components are cast gray iron, machined, primed and painted. 6" diameter rotor with (2) cast-on impact bars and sizing ring are cast ductile iron, machined, balanced and heat treated.
- Flexible drain connector. Fastens quickly to either metal or PVC drain line (1 1/2" pipe size).
- Disposer suspends from cone or sink assembly.
- Center support leg (2" height adjustment). (Optional)

MOTOR

- Reversing, continuous duty, 1725 RPM (1425 RPM, 50 Hz), full rated horsepower, double sealed, permanently lubricated ball bearings.
- Thermal overload protection with manual reset button.
- Available for single phase or three phase installations.
- Available in 3/4 and 1 horsepower, single and three phase.
- Dual voltage windings allow multi-voltage operation by motor lead connection. (See motor wiring diagram)
 - 115-230 Volts, 60 Hz; 1 Phase
 - 208-230/460 Volts, 60 Hz; 3 Phase

(See table for ampere draw per horsepower, volts & phase)

CONTROLS

Electrical switches or control centers not included, must be selected as required.

Note: All plumbing and electrical connections should be made according to local codes.

HP	SINGLE PHASE		THREE PHASE	
	Volts	Amps*	Volts	Amps*
3/4	115	5.4	208	2.8
	230	10.8	230	2.8
			460	1.4
1 1/4	115	14.8	208	3.8
	230	7.4	230	3.8
			460	1.9

*Ratings are for 60 Hz operation.

Note: Due to product improvement we reserve the right to change information and specifications without notice.