



WE RAISE THE BAR. WE SET THE STANDARD.

Project \_\_\_\_\_

Item Number \_\_\_\_\_

Quantity \_\_\_\_\_

1000M



## 1000M Premium Slicer

### Model:

➤ 1000M: 1/2hp Manual Slicer



CERTIFIED BY NSF INTERNATIONAL TO MEET  
AND EXCEED THE NSF/ANSI 2012 STANDARDS

Premium Series Slicer

### Features:

- Supermarket quality slicer
- Unique drip tray fence redirects liquids away from controls and operator towards distinctive concave base casting for easy cleaning
- Ergonomic comfort design operation
- Powerful 1/2 hp motor standard
- Adjustable slice thickness from 0 to 7/8"
- Tilting carriage and removable sharpener for easy cleaning
- Quick and simple disassembly of carriage and feed grip for easy and thorough cleaning
- Sanitary polished and anodized aluminum construction
- Permanently mounted protective edge guard for operator safety
- Heavy duty 3-1/2 lb gravity fed grip
- Built in lift lever for under slicer cleaning
- Stationary knife guard and carriage
- Low friction blade

13" Precision slicing German hollow ground blade  
 Ultra Safe zero blade edge exposure while cleaning  
 Unique smooth curve transitions to redirect liquids away from controls and operator

Univex Corporation

### Optional Accessories:

- Serrated blade
- Heavy duty clear plastic cover
- Stainless steel vegetable chute
- Security reinforced prison package

### Warranty:

- One year, on-site parts and labor

\*Univex slicers are not intended for semi-frozen or frozen product with the exception of Model 8713M with semi-frozen blade package.



**Univex Corporation**  
[www.Univexcorp.com](http://www.Univexcorp.com)

3 Old Rockingham Rd  
Salem, NH 03079  
United States of America

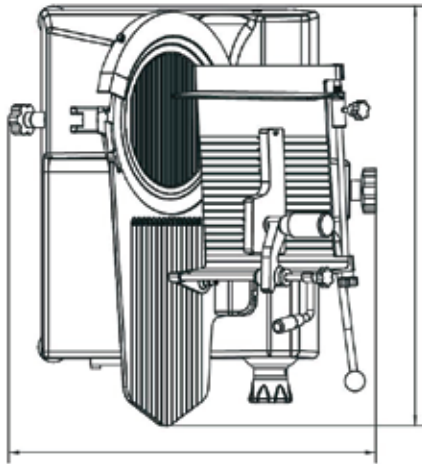
TEL: (800)258-6358  
INTL TEL: (603)893-6191  
FAX: (800)356-5614  
INTL FAX: (603)893-1249



WE RAISE THE BAR. WE SET THE STANDARD.

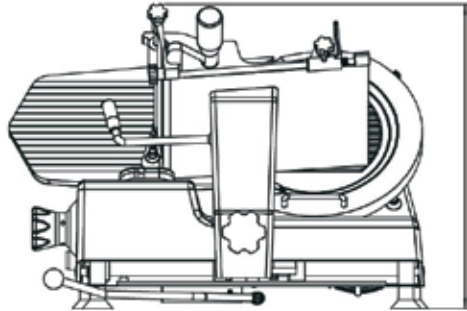
# Premium Series Slicer

# 1000M

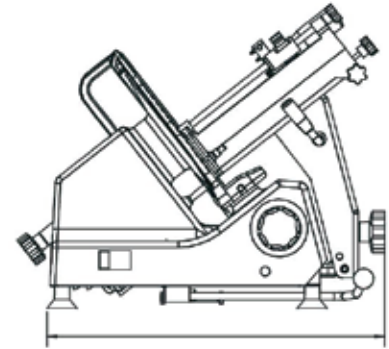


31 1/8" (79cm)  
(with carriage tilted)

28 3/4" (73cm)



19 3/4" (50cm)



24 1/8" (61.2cm)

Controls: Manual slice thickness knob, push button on/off, removable blade sharpener

Drive Assembly: Belt driven

Blade diameter: 13" (33cm) razor sharp blade

Blade RPM: 337 RPM

Maximum slice thickness: .875" (2.2cm)

Maximum product size: Rectangular: 10.25" x 6" (26cm x 15.2cm)  
Square: 6" x 6" (15.2cm x 15.2cm)  
Round: 8" (20.3cm)

Construction: Anodized, cast aluminum body for durability and stunning looks

Electrical Information (60Hz)						
	Voltage	Phase	Amps	RPM	hp(kW)	NEMA
Standard Voltage	115	1	4.0	1680	1/2 (.37)	5-15P
Optional Voltage	208-240	1	2.5	1680	1/2 (.37)	6-15P

Carriage Stroke
12" (30.48cm)

Shipping Information		
Net Weight	Shipping Weight	Overall Shipping Dimensions
121.1 lbs. (54.9Kg)	131 lbs. (59.4Kg)	29" (73.9cm) H x 25" (64.5cm) W x 30" (74.9cm) D



**Univex Corporation**  
[www.Univexcorp.com](http://www.Univexcorp.com)

3 Old Rockingham Rd  
Salem, NH 03079  
United States of America

TEL: (800)258-6358  
INTL TEL: (603)893-6191  
FAX: (800)356-5614  
INTL FAX: (603)893-1249