



# 16" x 14" ADA Hand Sinks

## Stainless Steel Hand Sinks



Use your smart phone to scan the above QR code to visit our website:  
www.bk-resources.com

### Certifications:



### Features:

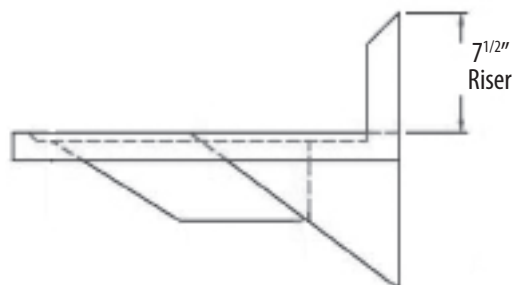
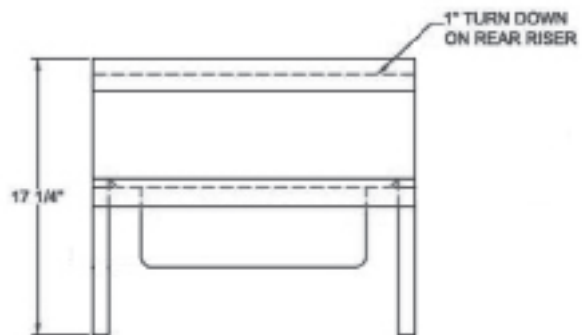
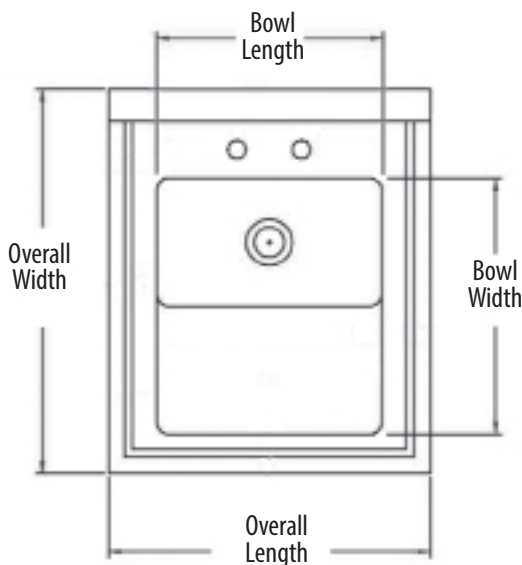
- Wall Mounting Hardware Included
- Drain Included
- Marine Edge
- Accommodates 4" O.C. or Single Hole Faucets

### Material:

- T-304 Stainless Steel



Part Number	Unit Size (l x w)	Bowl Dim. (w x d)	Faucet / Spout Mounting	Included Faucet	Drain Size	Product Weight (lbs)
BKHS-ADA-D	20" x 24"	14" x 17 <sup>1/4</sup> "	4" O.C. Deck	-	1 7/8"	27.00
BKHS-ADA-D-P-G	20" x 24"	14" x 17 <sup>1/4</sup> "	4" O.C. Deck	BKF-4DM-3G-G (w/ Wrist Blade)	1 7/8"	30.00
BKHS-ADA-S	20" x 22"	14" x 17 <sup>1/4</sup> "	4" O.C. Splash	-	1 7/8"	19.00
BKHS-ADA-S-P-G	20" x 22"	14" x 17 <sup>1/4</sup> "	4" O.C. Splash	BKF-4SM-3G-G (w/ Wrist Blade)	1 7/8"	27.00
BKHS-ADA-D-1	20" x 24"	14" x 17 <sup>1/4</sup> "	Single Hole	-	1 7/8"	27.00
BKHS-ADA-D-1-P-G	20" x 24"	14" x 17 <sup>1/4</sup> "	Single Hole	BKF-DEF-3G	1 7/8"	30.00



PRODUCT DATA SHEET

BK RESOURCES

