

APPLICATION:

JOB NAME:

QUANTITY:                      ITEM NO.

PRODUCT NAME:

**SINGLE DECK DUAL CONTROL FAUCET**

SPECIAL CONFIGURATION CHECK BASE MODEL AND OPTIONS

MODEL:

3116 W/ 12" RIGID GOOSENECK SPOUT

3126 W/ 6" RIGID GOOSENECK SPOUT

OPTIONS OR MODIFICATIONS:

SUPPLY LINES (24" OR 36") CIRCLE LENGTH

VANDAL RESISTANT KIT

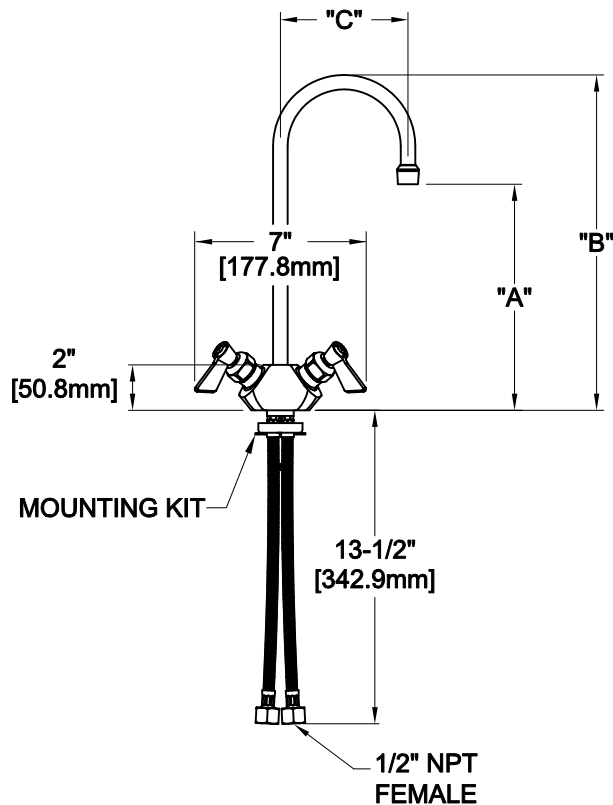
HANDLES (CROSS OR WRIST) CIRCLE STYLE

OTHER \_\_\_\_\_

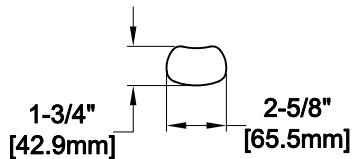
- FEATURES:
- \* SINGLE DECK, DUAL CONTROL
  - \* SWIVELING SEAT DISKS
  - \* HOT SIDE STEM - RIGHT HAND
  - \* COLD SIDE STEM - LEFT HAND
  - \* STAINLESS STEEL SEATS
  - \* STAINLESS STEEL SEAT SCREWS
  - \* STAINLESS STEEL HANDLE SCREWS
  - \* FLEXIBLE INLET HOSES
- SYSTEM LIMITS
- \* TEMP: 40°F MIN. TO 140°F MAX.
  - \* PRESSURE 200 PSI MAX. STATIC
  - \* 2.20 GPM AT 80 PSI

SHIPPING WEIGHT

\* 4.5 LBS



FOOTPRINT:



MODEL	DIM "A"	DIM "B"	DIM "C"
3116	9" [228.6mm]	13" [330.2mm]	5-1/2" [139.7mm]
3126	5" [127.0mm]	8-1/2" [215.9mm]	3-1/2" [88.9mm]

ROUGH-IN:

