

Fuoco Series Pizza Ovens With Single and Double Chambers With Mechanical Control

ITEM: 40637 40638 40641
MODEL: PE-IT-0024-S PE-IT-0048-D PE-IT-0049-D

40637



40638/40641



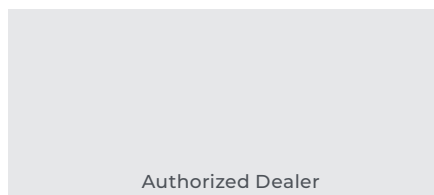
Efficient, and reliable

The Fuoco is an electric oven that was designed and built to offer extremely high levels of performance, efficiency and reliability with low operating costs. It is available for baking 4 pizzas with a diameter of 13.38". In the mechanical version, the temperature is set by the top and bottom thermostats and is displayed on the mechanical thermometer. The Mechanical Fuoco has a safety thermostat and independent chambers.

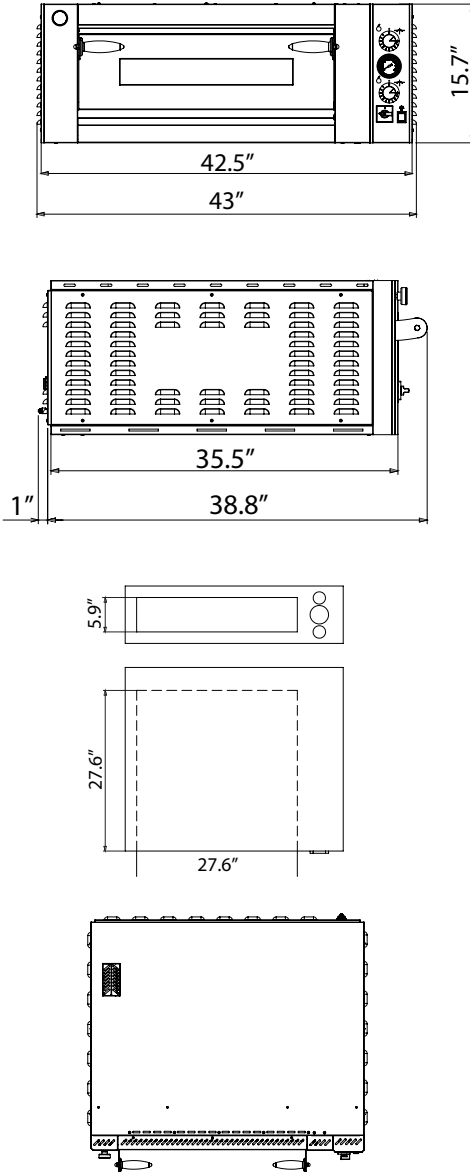
FEATURES:

- Stainless steel front
- Pre-painted white grey body
- Steel door with glass
- Knob for opening and closing steam exhauster
- Non-thermal handles

* Special Order are available for the following upon request: stands, casters, hoods, vents and suction motor

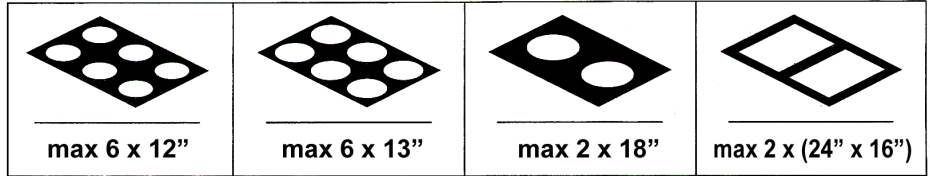


Technical Drawings



Technical Specification

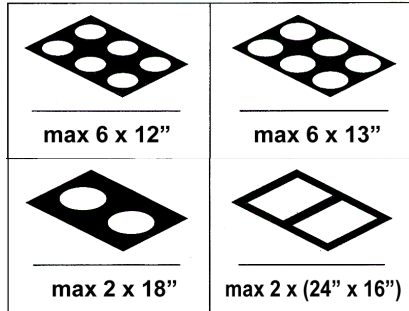
Item	40637
Model	PE-IT-0024-S
Maximum Temperature	842° F (450° C)
Power	6600 W
Electrical	220V / 60Hz / 3Ph
Chamber Dimensions (WDH)	27.6" x 27.6" x 5.9" (701 x 701 x 150 mm)
Net Weight	253 lb. (115 kg.)
Net Dimensions (WDH)	43" x 39.8" x 16.9" (1092 x 1010 x 429 mm)
Gross Weight	291 lb. (132 kg.)
Gross Dimensions (WDH)	43.3" x 44" x 21.6" (1100 x 1117 x 548 mm)
Plug Type	Bare Wire



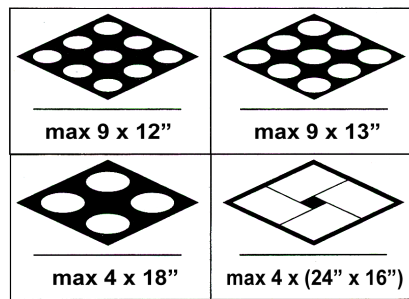
Related Accessories - (Sold Separately)

Item	Description	Net Dimensions (WDH)	Net Weight
41604	Stainless Steel Stand	Height with wheels: 41.2" x 35" x 41.3" (1046 x 889 x 1049 mm)	94.7 lb. (43 kg.)
		Min. – Max. Height with Adjustable Feet: 39.6" – 42" (1005 x 1066 mm)	
41603	Stainless Steel Hood	42.12" x 45.47" x 11.9" (1069 x 1154 x 302 mm)	59.5 lb. (27 kg.)
40645	Wheels for All Pizza Oven Stands	Height: 6" (152 mm)	-

40638



40641



Technical Specification

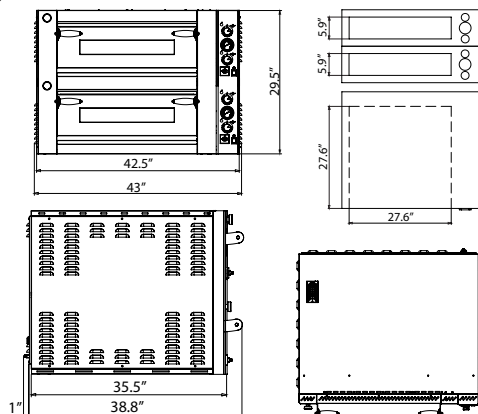
Features	43" Wide	57" Wide
Item	40638	40641
Model	PE-IT-0048-D	PE-IT-0049-D
Maximum Temperature	842° F (450° C)	
Power	13200 W	18000 W
Electrical	220V / 60Hz / 3Ph	
Chamber Dimensions (WDH)	27.6" x 27.6" x 5.9" (x2) (701 x 701 x 149 mm)	41.3" x 27.6" x 5.9" (x2) (1049 x 701 x 149 mm)
Net Weight	403.4 lb. (183 kg.)	509 lb. (231 kg.)
Net Dimensions (WDH)	43" x 39.8" x 29.5" (1092 x 1010 x 749 mm)	56.9" x 39.8" x 29.5" (1445 x 1010 x 749 mm)
Gross Weight	443 lb. (201 kg.)	560 lb. (254 kg.)
Gross Dimensions (WDH)	43.3" x 44" x 33" (1099 x 1117 x 838 mm)	44.1" x 57.9" x 33.1" (1120 x 1470 x 840 mm)
Plug Type	Bare Wire	

Related Accessories - (Sold Separately)

Item	For Item	Description	Net Dimensions (WDH)	Net Weight
41605	40638	Stainless Steel Stand	Height with wheels: 41.2" x 35" x 41.3" (1046 x 889 x 1049 mm)	94.7 lb. (43 kg.)
			Min. – Max. Height with Adjustable Feet: 39.6" – 42" (1005 x 1066 mm)	
41603	40638	Stainless Steel Hood	42.1" x 45.5" x 11.9" (1069 x 1154 x 302 mm)	59.5 lb. (27 kg.)
40642	40641	Stainless Steel Stand	Height with wheels : 56" x 35" x 33.4" (1422 x 889 x 848 mm)	92.5 lb. (42 kg.)
			Min. – Max. Height with Adjustable Feet: 31.7" – 34.2" (805 x 868 mm)	
40644	40641	Stainless Steel Hood	56" x 45.47" x 11.9" (1422 x 1154 x 302 mm)	68.3 lb. (31 kg.)
40645	40638/40641	Wheels for Pizza Oven Stands	Height: 6" (152 mm)	-

Technical Drawings

40638



40641

