

"ST4R5-GSK" STAINLESS STEEL TOP WORK TABLES

14GA Top w/5" Riser & Galvanized Legs & Adjustable Undershef

FEATURES:

- 14GA Stainless Steel Top w/5" Riser & Turndown
- Type 300 Stainless Steel With #4 Polish, Satin Finish
- Top Is Sound Deadened
- Reinforced With 1"x2" Channel Running Entire Length Of Table
- 1-1/2" Stallion Edge On Front Side Edges 90 Degree Bend Down For Table Line-Up
- Galvanized Base With Adjustable Undershef
- Shipped Knocked-Down, Easy-To-Assemble

SPECIFICATIONS:

- Top: Stainless Steel Tops Are Tig Welded, Exposed Welds Are Polished To Match Adjacent Surface
- Top: 14GA Stainless Steel Type 300 Stainless Steel With #4 Polish, Satin Finish
- Shelf: 18GA Galvanized Steel, (36" Wide Tables, 16GA Lower Shelf)
- Legs: 1-5/8" Round O.D. 16GA Tubular Galvanized Steel
- Gussets: Galvanized Steel
- Feet: 1" Adjustable Stainless Steel Bullet Feet

CERTIFICATIONS:



ST4R5-3048GSK

ACCESSORIES

DESCRIPTION

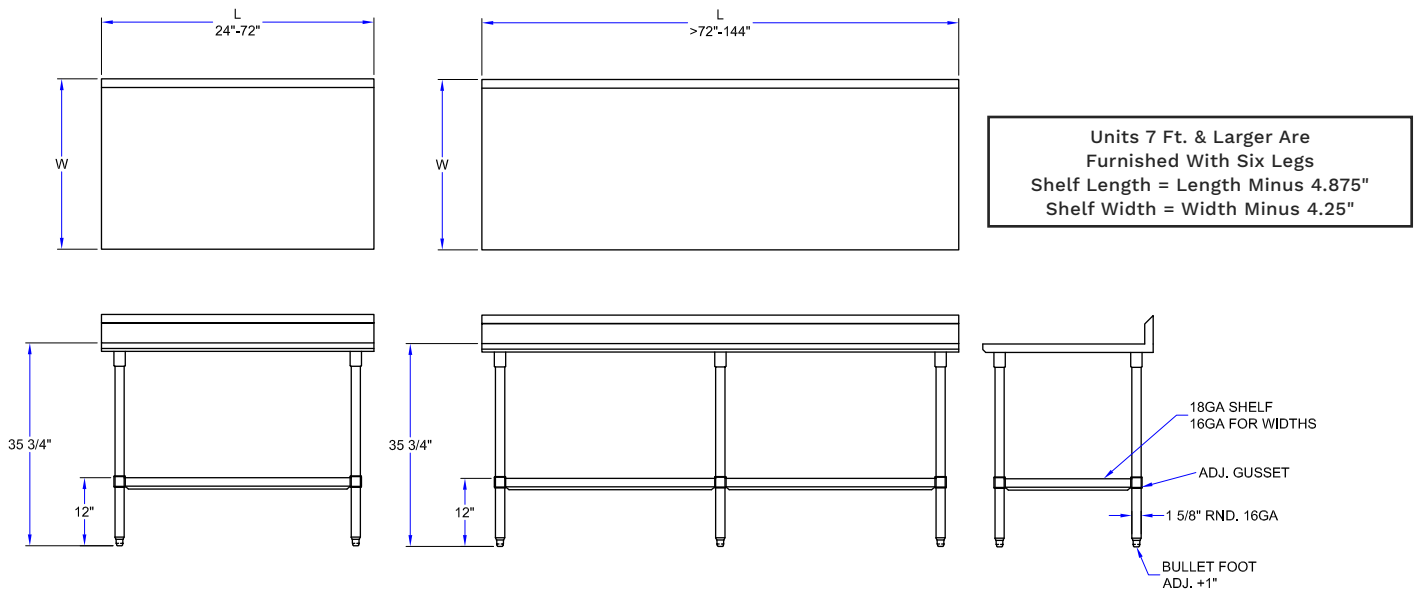
- Drawer
- Drawer Lock
- Casters
- Overshelves
- Sinks
- Pot Rack

"ST4R5-GSK" STAINLESS STEEL TOP WORK TABLES

LENGTH	24" WIDE	WT	WT CAP	30" WIDE	WT	WT CAP	36" WIDE	WT	WT CAP
24"	ST4R5-2424GSK	48	900	ST4R5-3024GSK	54	900	ST4R5-3624GSK	63	900
30"	ST4R5-2430GSK	54	900	ST4R5-3030GSK	61	900	ST4R5-3630GSK	75	900
36"	ST4R5-2436GSK	61	900	ST4R5-3036GSK	69	900	ST4R5-3636GSK	84	900
48"	ST4R5-2448GSK	75	900	ST4R5-3048GSK	86	900	ST4R5-3648GSK	104	900
60"	ST4R5-2460GSK	89	650	ST4R5-3060GSK	103	650	ST4R5-3660GSK	124	650
72"	ST4R5-2472GSK	104	420	ST4R5-3072GSK	119	420	ST4R5-3672GSK	145	420
84"	ST4R5-2484GSK	125	1350	ST4R5-3084GSK	143	1350	ST4R5-3684GSK	176	1350
96"	ST4R5-2496GSK	139	1350	ST4R5-3096GSK	160	1350	ST4R5-3696GSK	197	1350
108"	ST4R5-24108GSK	153	1350	ST4R5-30108GSK	176	1350	ST4R5-36108GSK	217	1350
120"	ST4R5-24120GSK	166	1200	ST4R5-30120GSK	193	1200	ST4R5-36120GSK	238	1200
132"	ST4R5-24132GSK	180	960	ST4R5-30132GSK	209	960	ST4R5-36132GSK	258	960
144"	ST4R5-24144GSK	194	750	ST4R5-30144GSK	226	750	ST4R5-36144GSK	278	750

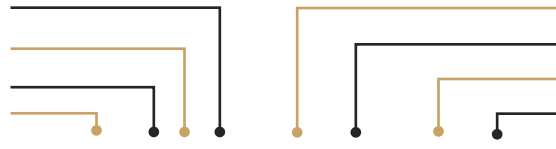
OVERALL WEIGHT (WT) AND MAX WEIGHT CAPACITY (WT CAP) ARE IN POUNDS (LBS). MAX WEIGHT CAPACITY EVENLY DISTRIBUTED. ALL DIMENSIONS ARE TYPICAL. TOLERANCE +/- .500". JOHN BOOS & CO. RESERVES THE RIGHT TO CHANGE SPECIFICATIONS WITHOUT NOTICE.

DETAILED SPECIFICATIONS



MODEL # STRUCTURE

5 = Ht. Of Riser w/Turndown
 R = Top w/Riser
 4 = 14GA Work Surface
 ST = Stainless Steel Top



24 = Width Of Work Surface
 30 = Length Of Work Surface
 GS = Galvanized Legs & Shelf
 K = Ships Knocked Down

ST4R5-2430GSK

"ST4R5-GSK" STAINLESS STEEL TOP WORK TABLES

LENGTH	24" WIDE	WT	WT CAP	30" WIDE	WT	WT CAP	36" WIDE	WT	WT CAP
24"	ST4R5-2424GSK	48	900	ST4R5-3024GSK	54	900	ST4R5-3624GSK	63	900
30"	ST4R5-2430GSK	54	900	ST4R5-3030GSK	61	900	ST4R5-3630GSK	75	900
36"	ST4R5-2436GSK	61	900	ST4R5-3036GSK	69	900	ST4R5-3636GSK	84	900
48"	ST4R5-2448GSK	75	900	ST4R5-3048GSK	86	900	ST4R5-3648GSK	104	900
60"	ST4R5-2460GSK	89	650	ST4R5-3060GSK	103	650	ST4R5-3660GSK	124	650
72"	ST4R5-2472GSK	104	420	ST4R5-3072GSK	119	420	ST4R5-3672GSK	145	420
84"	ST4R5-2484GSK	125	1350	ST4R5-3084GSK	143	1350	ST4R5-3684GSK	176	1350
96"	ST4R5-2496GSK	139	1350	ST4R5-3096GSK	160	1350	ST4R5-3696GSK	197	1350
108"	ST4R5-24108GSK	153	1350	ST4R5-30108GSK	176	1350	ST4R5-36108GSK	217	1350
120"	ST4R5-24120GSK	166	1200	ST4R5-30120GSK	193	1200	ST4R5-36120GSK	238	1200
132"	ST4R5-24132GSK	180	960	ST4R5-30132GSK	209	960	ST4R5-36132GSK	258	960
144"	ST4R5-24144GSK	194	750	ST4R5-30144GSK	226	750	ST4R5-36144GSK	278	750

OVERALL WEIGHT (WT) AND MAX WEIGHT CAPACITY (WT CAP) ARE IN POUNDS (LBS). MAX WEIGHT CAPACITY EVENLY DISTRIBUTED.
 ALL DIMENSIONS ARE TYPICAL. TOLERANCE +/- .500". JOHN BOOS & CO. RESERVES THE RIGHT TO CHANGE SPECIFICATIONS WITHOUT NOTICE.