

- **CGSV3422** 34"L x 18"D x 22"H
- **CGSV4522** 45"L x 18"D x 22"H
- **CGSV5722** 57"L x 18"D x 22"H
- **CGSV6922** 69"L x 18"D x 22"H

### Included

- Clear glass swinging doors w/o lock
- Designed for service or self-service applications
- Glass end
- LED top light
- One year parts & labor warranty
- Shelving removable and adjustable on 1" centers. Can be angled at 10°, 0° or -10° allowing for service or self-service applications



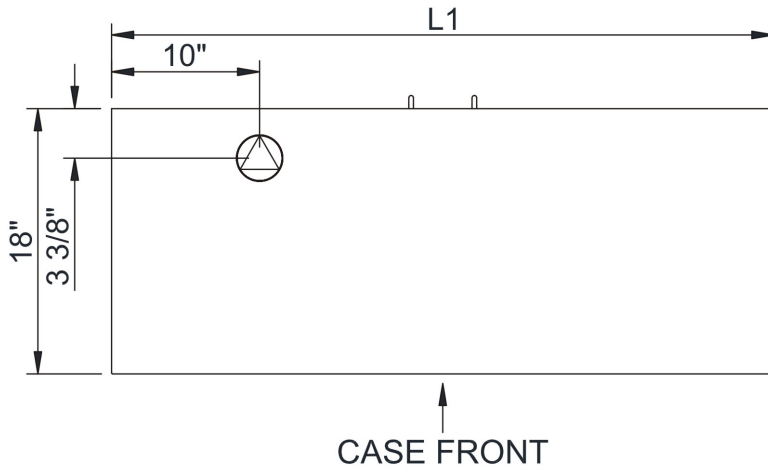
**CGSV4522**

Specify	Standard Features	Additional Options
<b>MODEL FINISH</b>	• Powder coated Silversan Black	• Stainless steel
<b>SHELVING</b>	• (1) Upper clear glass shelf, lighted (LED 3500K) and (1) lower shelf, non-lighted	• (2) Clear glass shelves, lighted (LED 3500K)
<b>ELECTRICAL CONNECTION</b>	• 6' Straight blade power cord	• Electrical leads (non-refrigerated)
<b>MISCELLANEOUS</b>		• Second year parts & labor warranty

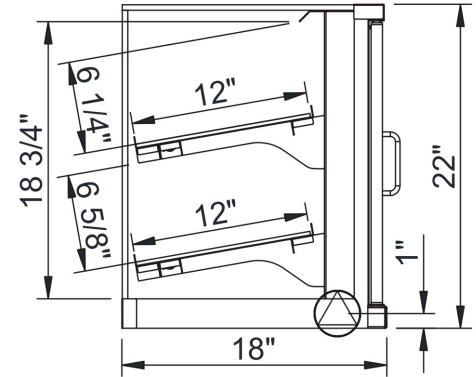
<b>Intended Environment:</b> Type I - Designed to operate in ambient conditions of 75°F with 55% relative humidity unless noted otherwise in system information below.		
<b>Zone</b>	<b>Intended Product To Be Displayed</b>	<b>Warmest Avg Prod Temp ° F</b>
1	Packaged non-refrigerated products	Ambient

PLAN VIEW

SIDE VIEW



CASE FRONT →



NOTE: ALL DIMENSIONS APPROXIMATE

- ELECTRICAL JUNCTION BOX (SUPPLIED WITH 6" LEADS OR POWER CORD).
- LOCATION OF DRAIN TUBE FOR REMOTE REF. ONLY (SUPPLIED WITH 3/4" OR 1 1/2" PVC TUBE).

- REFRIGERATION LINE CONNECTION.
- REMOTE FLOOR SINK & UTILITIES ACCESS AREA.

- SELF-CONTAINED CASE SERVICE ACCESS AREA.
- DRY CASE SERVICE ACCESS AREA.

Model Technical Specifications																	
Model	L"	L1"	L2"	System Circuit Volts			Phs	Freq	Amps ***	Watts	Wires	NEMA Plug	SST	Conv. Rack RTUH	Para. Rack RTUH	Est Wt	
CGSV3422	N/A	34.00	.00	Ambient/Lights (N/A)			Circuit #1	110-120	1	60	0.70	11	2+G	5-15P	N/A	N/A	350
CGSV4522	N/A	45.00	.00	Ambient/Lights (N/A)			Circuit #1	110-120	1	60	0.70	17	2+G	5-15P	N/A	N/A	375
CGSV5722	N/A	57.00	.00	Ambient/Lights (N/A)			Circuit #1	110-120	1	60	0.70	21	2+G	5-15P	N/A	N/A	400
CGSV6922	N/A	69.00	.00	Ambient/Lights (N/A)			Circuit #1	110-120	1	60	0.70	26	2+G	5-15P	N/A	N/A	425

\*\*\* Does not include electric defrost on freezer models.

**Regulatory Approvals:**

All Models ETL Listed to UL 65  
ETL Sanitation to NSF/ANSI 2



**Important Notes:**

1) Electrical Note: If GFCI is required, a GFCI breaker Must be used in lieu of a GFCI receptacle.

**⚠ WARNING:** This product can expose you to chemicals, including Urethane (Ethyl Carbamate), which are known to the State of California to cause cancer and birth defects or other reproductive harm. For more information go to [www.P65Warnings.ca.gov](http://www.P65Warnings.ca.gov).