

# ECONOMY CLEAN DISH TABLE (RIGHT TO LEFT OPERATION)

DISH TABLES - CLEAN

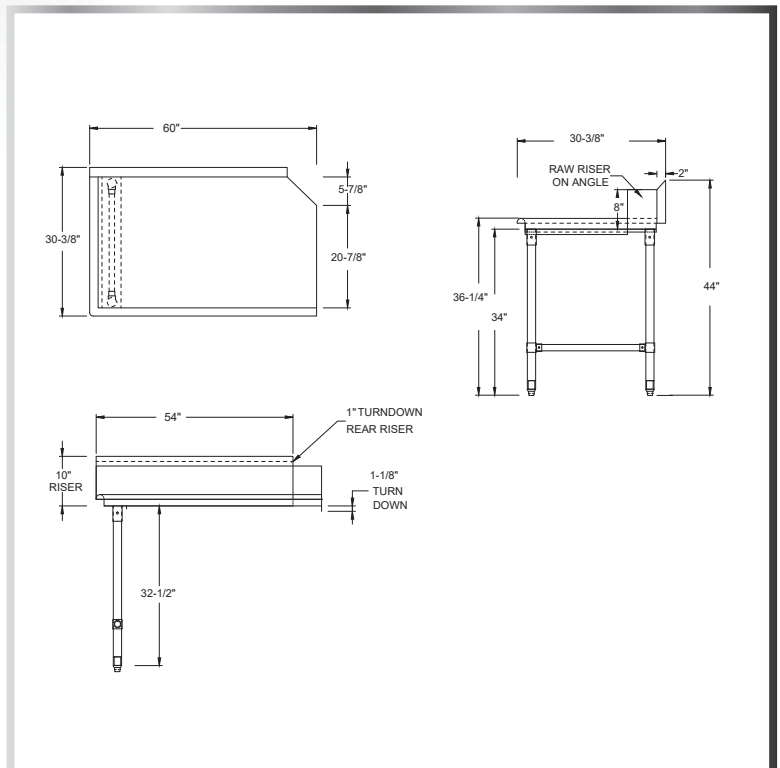


## MATERIALS

- 18 Gauge 300 Series Stainless Steel Top
- Galvanized Legs and Gussets
- Plastic Bullet Feet

## FEATURES

- Straight Design
- 10" Backsplash with 2" Return to Wall At 45°
  - Rolled Front and Side Edges
- Adjustable Bracing and Bullet Feet



MODEL NUMBER	LENGTH	WIDTH
CDT-26L	26"	30- <sup>3</sup> / <sub>8</sub> "
CDT-36L	36"	30- <sup>3</sup> / <sub>8</sub> "
CDT-48L	48"	30- <sup>3</sup> / <sub>8</sub> "
CDT-60L	60"	30- <sup>3</sup> / <sub>8</sub> "
CDT-72L	72"	30- <sup>3</sup> / <sub>8</sub> "