



SPEC SHEET

KoolMore 39 in. Commercial Stainless Steel 2-Door Reach-In Refrigerator, 35 cu. ft.

SKU: RIR-2D-SS35C

FEATURES

- Ideal for restaurants, hotels, and all types commercial kitchens.
- A raised bottom shelf made for convenient loading, unloading, and maintenance.
- Two door industrial refrigerator with recessed handle for easy access. With a self-closing feature that ensures food remains fresh.
- Six deep adjustable shelves coated in epoxy for maximum corrosion resistance. This tall refrigerator holds up to 35 cu. ft.
- External digital temperature controls and display to easily monitor and control temperature. 4 casters with 2 locking make it portable.



CLOSE UP IMAGES



TECHNICAL SPECS

Dimensions

Depth	29.5
Width	39.5
Height	82.5
Interior Depth	24.4
Interior Width	35
Interior Height	51.6
Shelf Width	16.9
Shelf Depth	21.3
Depth Including Handles	29.5
Depth Excluding Handles	29.5
Depth Less Door	26.8
Depth With Door Open 90 Degrees	49.9
Power Cord Length	98.5

Capacity

Gross Cubic Feet	29.8
Net Capacity Cu. Ft.	26.5
Individual Shelf Capacity	88l bs.

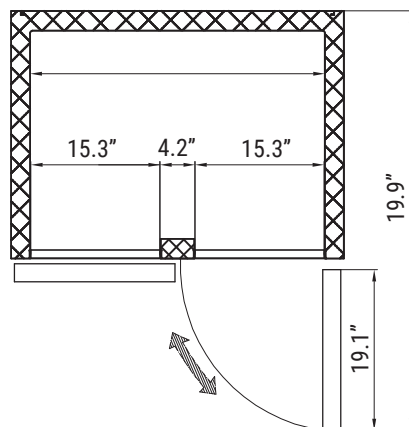
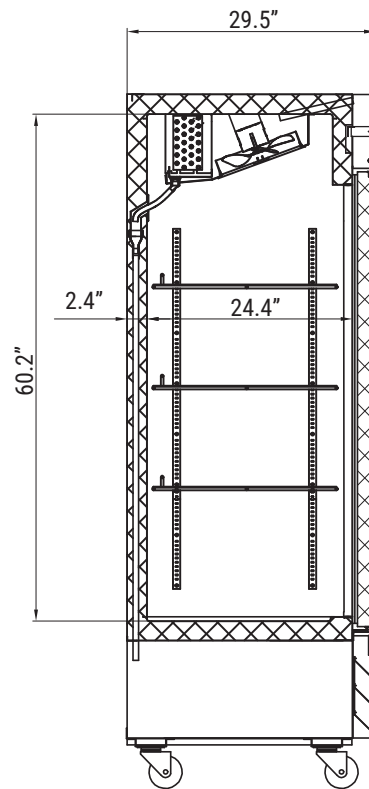
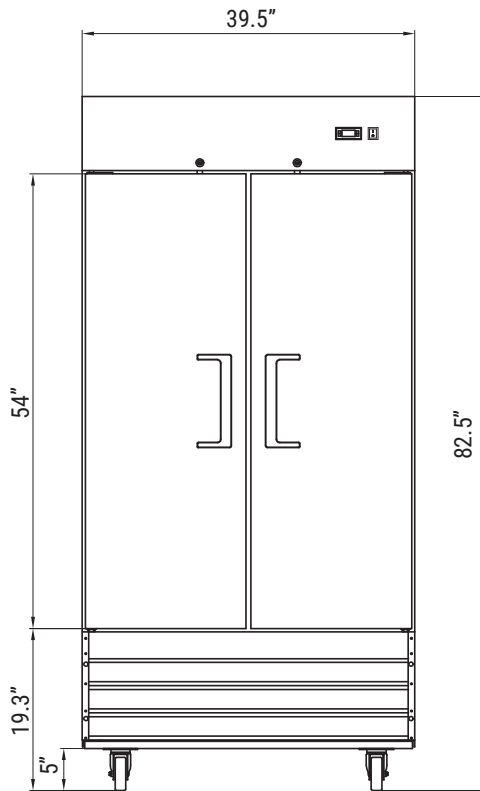
Features & Material

Door Style	Swing
Number Of Doors	2
Number Of Shelves	6
Defrost Type	Automatic
Refrigerant Type	R-290
Temperature Control Type	External Digital
Ambient Temperature Range	100 F
Temperature Range	33-40 F
Casters	4
Light Type	Fluorescent Bulb
Shelf Material Type	Epoxy Coated
Interior Material	Stainless Steel 201
Exterior Material	Stainless Steel 304

Electric Data & Certifications

Amps	4.1
Phase	1
Plug Type	NEMA 5-15P
Voltage	115
Certifications	ETL Listed for Safety and Sanitation

Plan View



CERTIFICATIONS



Intertek Intertek



706 Eastern Parkway STE 1G, Brooklyn NY 11213
718-576-6342
info@koolmore.com