

# BISON

## REFRIGERATION

Units Manufactured Prior 10-1-18

Include 1 Year Parts + Labor / 5 Year Compressor Warranty

Units Manufactured After 10-1-18

Include 2 Year Parts + Labor / 5 Year Compressor Warranty

### BPT-44 1 Door Pizza Unit

#### Dimensions

Exterior Dimensions (Inches)	44" x 33.125" x 44.5"
Interior Dimensions Top (Inches)	42" x 13" x 8"
Interior Dimensions Bottom (Inches)	26" x 26" x 24"
Packaging Dimensions (Inches)	46.7" x 35.2" x 45.4"
Capacity (cu. ft.)	19 cu. ft.
Gross Weight (lbs)	309 lbs

#### Construction

Exterior Material	430 series stainless steel
Interior Material	430 series stainless steel
Insulation Material	Polyurethane
Insulation Thickness (mm)	45
# of Doors	1
# of Shelves	1
Shelf Material	Plastic coated steel
Shelf Load Capacity (lbs/pc)	155 lbs

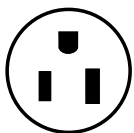
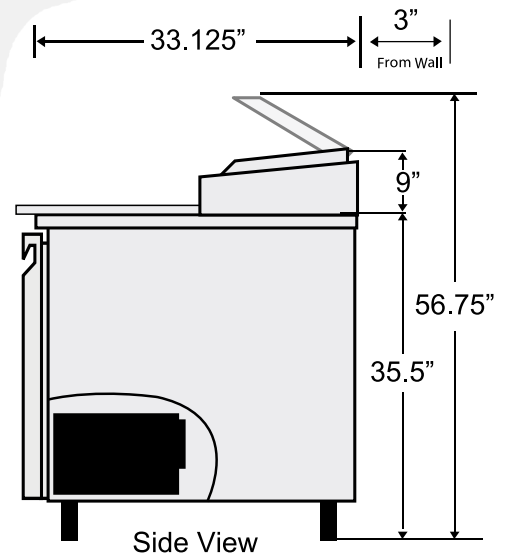
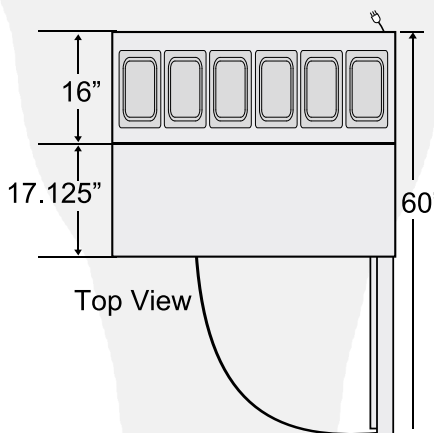
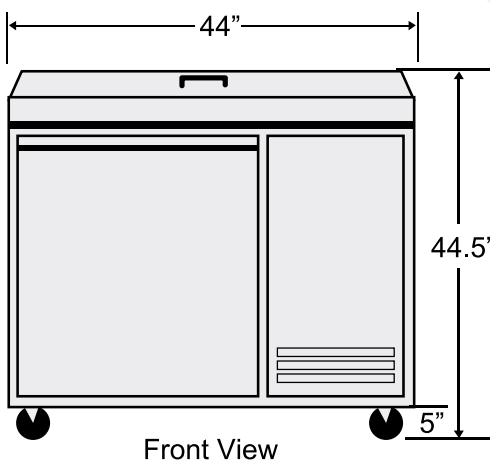
\*Does not include pans

#### Cooling

Temperature Range	33° ~ 40° F
Refrigerant	R290
Refrigerant Amount (oz)	11.6
Maximum Ambient Temperature Rating	90° F
Defrost Method	Air Defrost
Defrost Power (W)	0
Cooling Method	Ventilated
Temperature Controller	Thermostat
Compressor H/P	1/3

#### Electrical

Voltage (v/Hz)	115/60
Power (W)	390
Power Consumption (kw/24hr)	1.8
Phase	1



NEMA 5-15P



COMPLIES WITH ANSI/NSF 7 FOR FOOD SERVICE